

2/2-way valves DN 8 to DN 25

For neutral steam and liquids

Indirectly solenoid actuated

Piston valves

Internal threads G 1/4 to G 1 or 1/4 NPT to 1 NPT

Operating pressure 1 to 25 bar



85320

85330

Description (standard valve)

Solenoid valve for steam, hot water and other neutral fluids

Switching function:	normally closed
Flow direction:	determined
Differential pressure:	1 bar required
Fluid temperature:	-10 °C up to max. +200 °C
Ambient temperature:	-10 °C up to max. +50 °C, with solenoid mounted vertical underneath max. +60 °C
Mounting position:	optional, preferably solenoid vertical on top

Material

Body:	Brass (CW617N)
Seat seal:	PTFE
Internal parts:	Stainless steel, FPM, PTFE

For contaminated fluids insertion of a strainer is recommended.

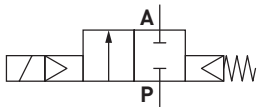
Click-on®



Features

- Compact piston valve
- High flow rate
- Damped operation
- Functional compact design
- Solenoid interchangeable without tools (**Click-on®**)
- Stainless steel piston bushing

Symbol



Ordering information

To order, quote model number from table overleaf, e. g. 8532400.9152 for a DN 25 valve.

Characteristic Data

Valves

Part Number	Nominal Diameter (mm)	Connection Size	Operating Pressure *		kv-value ** (Base m ³ /h)	Weight Total (kg)
			min. (bar)	max. (bar)		
8532000.9152 8533000.9152	8	G 1/4 1/4 NPT	1	25	2.2	0.83
8532100.9152 8533100.9152	10	G 3/8 3/8 NPT	1	25	3.4	0.82
8532200.9152 8533200.9152	12	G 1/2 1/2 NPT	1	25	4.4	0.85
8532300.9152 8533300.9152	20	G 3/4 3/4 NPT	1	25	7.0	1.25
8532400.9152 8533400.9152	25	G 1 1 NPT	1	25	10.5	1.70

* for gases and liquid fluids up to 40 mm²/s (cSt)

** C_v-value (US) ≈ kv-value x 1.2

State voltage [V] and frequency [Hz]

Solenoid 9152

Standard voltage

DC ≡	AC ~ 50 Hz	AC ~ 60 Hz
24 V	24 V	-
-	110 V	120 V
-	230 V	220 V

Design acc. to DIN VDE 0580

Voltage range ±10 %

100 % duty cycle


Protection class acc. to EN 60529 IP65

Socket Form A acc. to DIN EN 175301-803 (included)

Power Consumption

According to DIN VDE 0580 at coil temperature of +20 °C. In operation the power consumption of the solenoid decreases by approx. 30 %.

Solenoid	DC ≡	AC ~	
		Inrush	Holding
9152 *	10 W	15 VA	10 VA

 coil only

Attention!

The conditions imposed on the Ex approvals lead to reduction of the permissible standard temperature ranges in the cases of explosion protected solenoids.

Further Options (Valves)

XXXXX**01**.XXXX Normally open,
Operating pressure 1 up to 16 bar

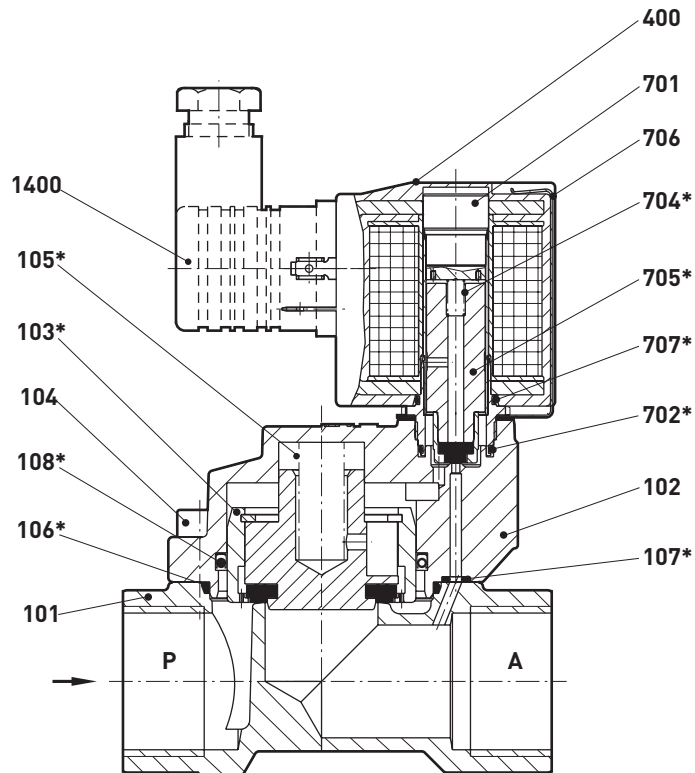
XXXXX**02**.XXXX Manual override

On request Further versions

Further Options (Solenoids)

On request Further versions

Section View

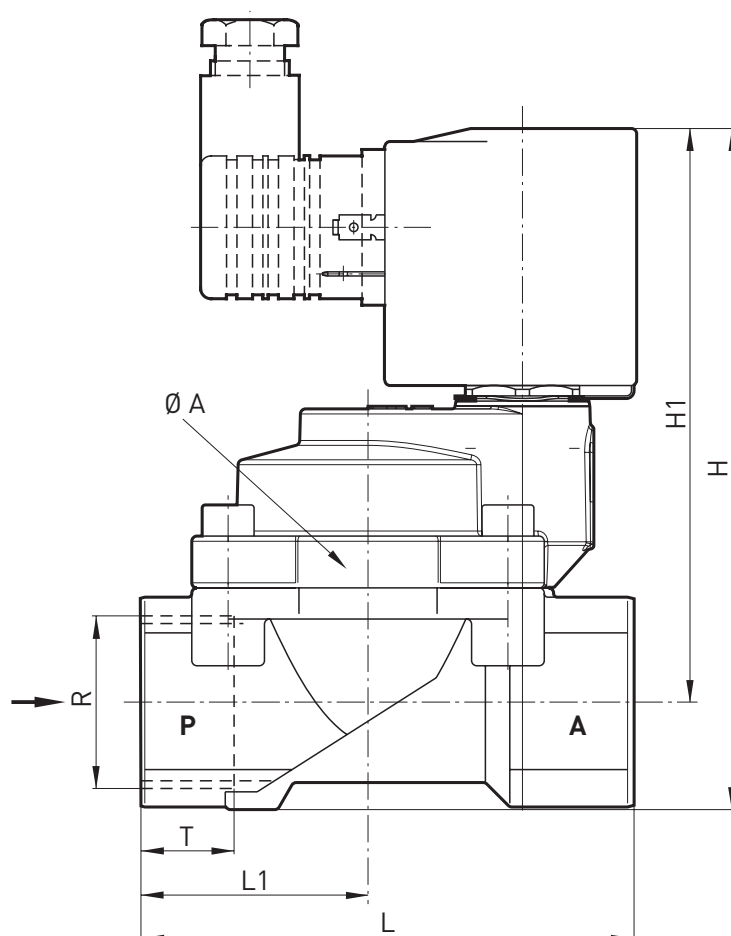


- 101 Valve body
- 102 Valve cover
- *103 Valve plate
- 104 Allen head screw
- *105 Pressure spring
- *106 Gasket
- *107 O-ring
- *108 Lip seal
- 400 Solenoid
- 701 Core tube
- *702 O-ring
- *704 Pressure spring
- *705 Plunger
- 706 Spring clip
- *707 O-ring
- 1400 Electrical connector (included)

* These individual parts form a complete wearing unit.
When ordering spare parts please state Cat. No. and Series No.

General Dimensions

Solenoid rotatable 360°
 Socket turnable 4 x 90°
 (Socket included)



Part Number	Nominal Diameter (mm)	Connection Size	A (mm)	H (mm)	H 1 (mm)	L (mm)	L 1 (mm)	T (mm)
8532000.9152 8533000.9152	8	G 1/4 1/4 NPT	44	105.0	93.5	60	27.5	12
8532100.9152 8533100.9152	10	G 3/8 3/8 NPT	44	105.0	93.5	60	27.5	12
8532200.9152 8533200.9152	12	G 1/2 1/2 NPT	44	107.5	93.5	67	31.0	14
8532300.9152 8533300.9152	20	G 3/4 3/4 NPT	50	119.0	102.5	80	36.5	16
8532400.9152 8533400.9152	25	G 1 1 NPT	62	131.5	110.5	95	44.0	18

Note to Pressure Equipment Directive (PED):

The valves of this series, including the connection size DN 25 (G 1), are according to Art. 3 § 3 of the Pressure Equipment Directive (PED) 97/23/EG. This means interpretation and production are in accordance to engineers practice wellknown in the member countries.

The CE-sign at the valve refers not to the PED. Thus the declaration of conformity is not longer applicable for this directive.

For valves > DN 25 (G 1) Art. 3 § (1) No.1.4 applies.
 The basic requirements of the Enclosure I of the PED must be

fulfilled. The CE-sign at the valve includes the PED. A certificate of conformity of this directive will be available on request.

Note to Electromagnetic Compatibility Guideline (EEC):

The valves shall be provided with an electrical circuit which ensures the limits of the harmonised standards EN 61000-6-3 and EN 61000-6-1 are observed, and hence the requirements of the Electromagnetic Compatibility Guideline (2004/108/EG) satisfied.