

# 2/2-way-valves DN 15 to DN 50

For neutral gases and liquid fluids

Indirectly solenoid actuated

Piston valves

Flange connection, pressure rating PN 40

Operating pressure 0.5 to 40 bar



85560

**Click-on®**



## Description (standard valve)

Solenoid valve for air, water and other neutral fluids

Switching function:	normally closed
Flow direction:	determined
Fluid temperature:	-20 °C up to max. +90 °C
Ambient temperature:	-20 °C up to max. +50 °C
Mounting position:	optional, preferably solenoid vertical on top

## Material

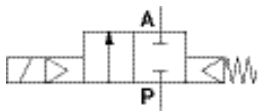
Body:	Cast steel, Brass
Seat seal:	NBR
Internal parts:	Stainless steel, Brass, PTFE

For contaminated fluids insertion of a strainer is recommended (see **Buschjost** - accessories).

## Features

- Compact piston valve
- High flow rate
- Damped operation
- Solenoid interchangeable without tools (**Click-on®**)
- Fluids of Group 2 acc. Pressure Equipment Directive 97/23/EC

## Symbol



## Ordering information

To order, quote model number from table overleaf, e.g. 8556400.9151 for a DN 25 valve.

### Characteristic data

Valves

Part Number	Nominal Dia- meter	Operating pressure *		kv-value ** (Base m³/h)	Weight (kg)
		min. (bar)	max. (bar)		
8556200.9151	15	0.5	40	4.4	3.2
8556300.9151	20	0.5	40	7.0	3.6
8556400.9151	25	0.5	40	10.5	4.2
8556500.9151	32	0.5	40	25.0	7.2
8556600.9151	40	0.5	40	27.0	7.6
8556700.9151	50	0.5	40	43.0	8.8

\* for gases and liquid fluids up to 60 mm²/s (cSt)

\*\* Cv-value (US) P kv-value x 1.2

State voltage [V] and frequency [Hz]

### Solenoid 9151

Standard voltages

DC ≡	AC ~	
	50 Hz	60 Hz
24 V	24 V	-
-	110 V	120 V
-	230 V	220 V

Design acc. to DIN VDE 0580

Voltage range ±10 %

100 % duty cycle

Protection class acc. to EN 60529 IP65

Socket Form A acc. to DIN EN 175301-803 (included)

### Power Consumption

According to DIN VDE 0580 at coil temperature of +20 °C. In operation the power consumption of the solenoid decreases by approx. 30 %.

Solenoid	DC ≡	AC ~	
		Inrush	Holding
9151 *	18 W	45 VA	35 VA / 17 W

\*  coil only

### Attention!

The conditions imposed on the Ex approvals lead to reduction of the permissible standard temperature ranges in the cases of explosion protected solenoids.

### Further Options (Valves)

XXXXX01.XXXX Normally open (NO)

XXXXX02.XXXX Manual override

XXXXX03.XXXX Seat seal FPM,  
fluid temperature -10 °C up to +110 °C


XXXXX14.XXXX Seat seal EPDM,  
for hot water etc.,  
fluid temperature -20 °C up to +110 °C


XXXXX47.XXXX Flanges acc. to ASME B 16.5 150 lb/sq. In.

XXXXX48.XXXX Flanges acc. to ASME B 16.5 300 lb/sq. In.

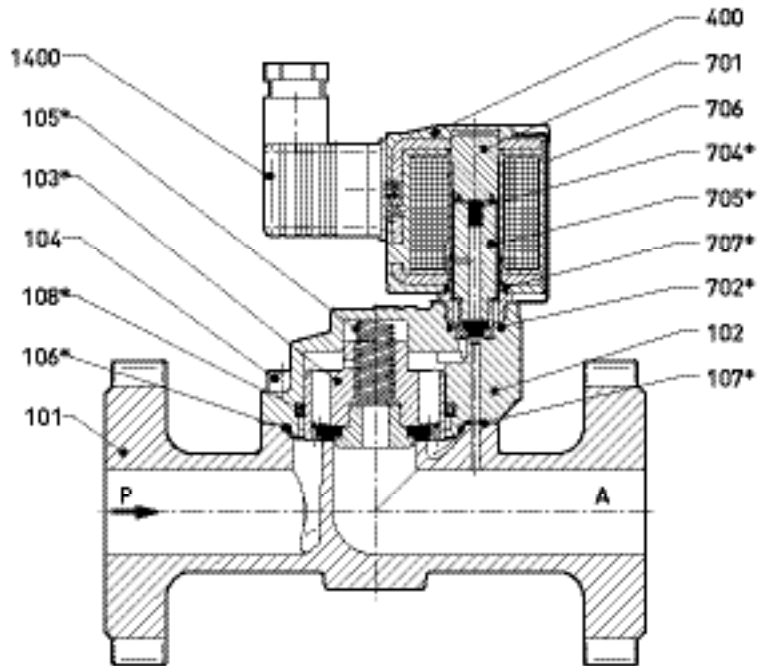
On request further versions

### Further Options (Solenoids)

XXXXXXX.4682 Solenoid in protection class  
 II 2 GD EEx md ll C T4/T5 T 130 °C  
with cable gland for DC

XXXXXXX.4683 Solenoid in protection class  
 II 2 GD EEx md ll C T4/T5 T 130 °C  
with cable gland for AC

## Section view

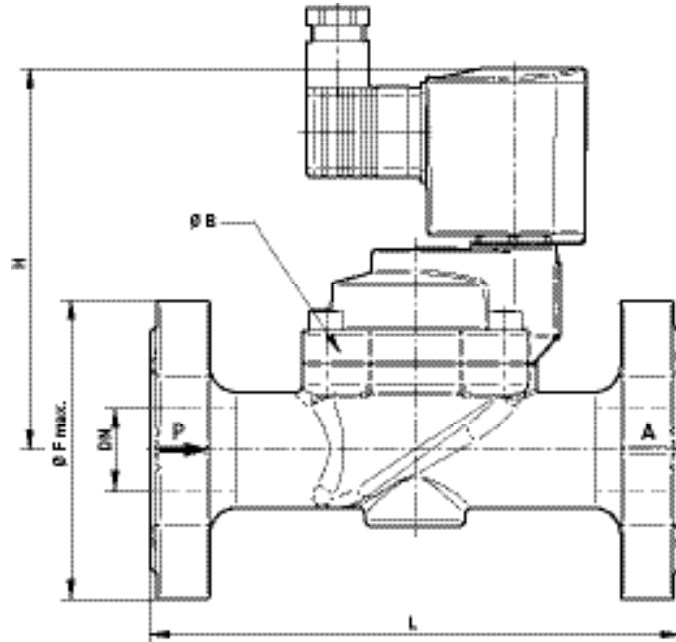


- |                      |                        |
|----------------------|------------------------|
| 101 Valve body       | 400 Solenoid           |
| 102 Valve cover      | 701 Core tube          |
| *103 Valve piston    | *702 O-ring            |
| 104 Straight pin     | *704 Pressure spring   |
| *105 Pressure spring | *705 Core              |
| *106 Seal ring       | 706 Spring clip        |
| *107 O-ring          | *707 O-ring            |
| *108 Grooved ring    | 1400 Socket (included) |

\* These individual parts form a complete wearing unit.  
When ordering spare parts please state Cat No and Series No.

## General Dimensions

Solenoid rotatable 360°  
 Socket turnable 4 x 90°  
 (Socket included)



Part Number	Nominal Diameter (mm)	L (mm)	H (mm)	Ø F max. (mm)	Ø B (mm)
8556200.9151	15	130	96.0	96	44
8556300.9151	20	150	108.5	110	50
8556400.9151	25	160	115.0	115	62
8556500.9151	32	180	138.5	140	92
8556600.9151	40	200	143.5	150	92
8556700.9151	50	230	156.5	165	109

Contact face acc. to DIN EN 1092-1/B

**Note to Pressure Equipment Directive [PED]:**  
 The valves of this series, including the connection size DN 25 (G 1), are according to Art. 3 § 3 of the Pressure Equipment Directive (PED) 97/23/EG. This means interpretation and production are in accordance to engineers practice wellknown in the member countries.

The CE-sign at the valve refers not to the PED. Thus the declaration of conformity is not longer applicable for this directive.

For valves > DN 25 (G 1) Art. 3 § (1) No.1.4 applies.  
 The basic requirements of the Enclosure I of the PED must be

fulfilled. The CE-sign at the valve includes the PED. A certificate of conformity of this directive will be available on request.

**Note to Electromagnetic Compatibility Guideline [EEC]:**  
 The valves shall be provided with an electrical circuit which ensures the limits of the harmonised standards EN 61000-6-3 and EN 61000-6-1 are observed, and hence the requirements of the Electromagnetic Compatibility Guideline (2004/108/EG) satisfied.