

Boxed sets are an excellent and attractive marketing tool for counter displays.

True modularity with Excelon® Quikclamp® connections

Quick release bayonet bowl

Lubricator flow sensor provides a nearly constant oil/air ratio over a wide range of air flows

All around (360°) visibility of the lubricator sight-feed dome simplifies installation and adjustment

Regulator balanced valve minimizes effect of variation in the inlet pressure on the outlet pressure



Technical data

Fluid:

Compressed air, neutral gases
NOTE: Contact technical support for use with other media.

Maximum pressure:

Transparent bowl: 150 psig (10 bar)
Metal bowl (manual or automatic): 250 psig (17 bar)

Operating temperature*:

Transparent bowl: -30° to 125°F (-34° to 50°C)
Metal bowl: -30° to 150°F (-34° to 65°C)
* Air supply must be dry enough to avoid ice formation at temperatures below 35°F (2°C).

Particle removal:

40 µm filter element

Materials

Body: zinc or aluminum
Bonnet: (72) acetal, (73) Zinc, (74) aluminum
Bowl: (72) polycarbonate (73, 74) aluminum
Metal bowl liquid level indicator lens: transparent nylon

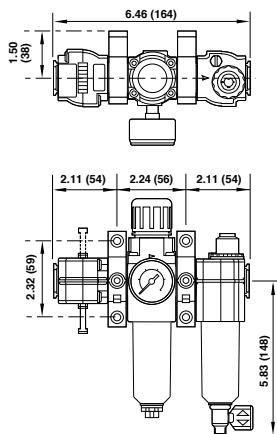
Sight-feed dome: transparent nylon
Element: sintered polypropylene
Elastomers: chloroprene, nitrile
Other combinations are configurable. Please consult technical support for more information.

Ordering information

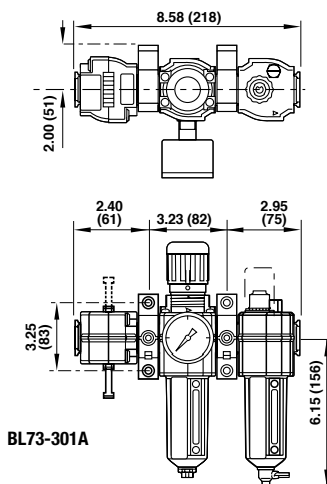
Models include PTF threads. Filter/Regulator (F/R) has knob adjustment, automatic drain, metal bowl with level indicator, 40 µm element, relieving diaphragm, and 150 psig (10 bar) regulating spring, and gauge. Lubricator (L) is a Micro-Fog model with 1/4 turn manual drain and metal bowl with level indicator. Shut off valve is included.

Boxed Set Combination Units

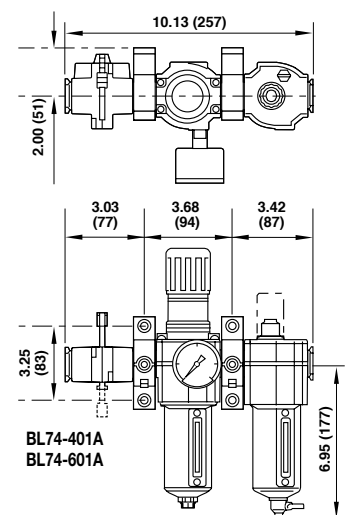
Boxed Set	Port size	Model
Filter/Regulator-Lubricator-Lockout valve-gauge-brackets	1/4"	BL72-201A
Filter/Regulator-Lubricator-Lockout valve-gauge-brackets	3/8"	BL73-301A
Filter/Regulator-Lubricator-Lockout valve-gauge-brackets	1/2"	BL74-401A
Filter/Regulator-Lubricator-Lockout valve-gauge-brackets	3/4"	BL74-601A



BL72-201A



BL73-301A



BL74-401A
BL74-601A

Dimensions in inches (mm)