



# STANDARD FILTER

1/4" - 3/4"  
MANUAL OR AUTOMATIC DRAIN

## SPECIFICATIONS

PIPE SIZES: 1/4", 3/8", 1/2", 3/4"  
 FILTER ELEMENTS: 50-MICRON (STANDARD)  
 5 AND 25-MICRON (OPTIONAL)  
 1/2-PT. POLYCARBONATE OR METAL BOWLS  
 MAXIMUM RECOMMENDED OPERATING CONDITIONS:  
 POLYCARBONATE BOWLS:  
 150 PSIG AT 125° F.  
 \*METAL BOWLS:  
 250 PSIG AT 175° F.  
 AUTOMATIC OR MANUAL DRAIN  
 MOUNTING HOLES: 9/32"

\*Metal Bowls with sight-glass optional.

## ORDER TABLE

Standard models normally available from distributor stock.

BOWL TYPE	DRAIN TYPE	PIPE SIZE	STANDARD	OPTIONAL MODELS		
			FILTER ELEMENT			
			50-Micron	25-Micron	5-Micron	
SAFETY GREEN ***	Automatic **	1/4"	F02-200-A3T-AU†	F02-200-A2T-AU	F02-200-A1T-AU	
		3/8"	F02-300-A3T-AU†	F02-300-A2T-AU	F02-300-A1T-AU	
		1/2"	F02-400-A3T-AU†	F02-400-A2T-AU	F02-400-A1T-AU	
		3/4"	F02-600-A3T-AU†	F02-600-A2T-AU	F02-600-A1T-AU	

\*Overported

\*\* For manual drain substitute "M" for "A" in the 7th position of product number.

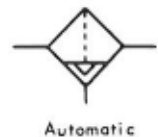
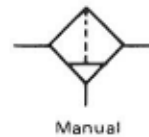
\*\*\*For metal bowl substitute "M" for "T" in 9th digit.

†An easily installed bowl guard is available for use with the polycarbonate bowl to provide an added safety factor. Use metal bowl in applications in which the filter might be exposed to substances which are incompatible with polycarbonate. See CAUTION note.

## FEATURES

- Interchangeable automatic drain or manual drain.
- Threaded bowl is easily removed — no clamp ring.
- Polycarbonate transparent bowl.
- Acetal resin insert with drain cock reduces internal stress.
- Built in mounting provision.
- Excellent water removal characteristics.

## GRAPHIC SYMBOL



## WHERE TO USE

This F02 filter is designed for general application in compressed air service where effective filtration is required.

ACCESSORIES		Man. Drain	Auto. Drain
	BOWL GUARD (With Bowl & Drain)	Ordered with Unit	
	Perforated metal gives positive protection, yet allows visibility of bowl contents.	Substitute "P" in 9th position	
		Ordered Separately	Ordered Separately
		18-012-010	18-012-014
	MOUNTING KIT	Ordered with Unit	
	Consists of bolt, lock washer and spacer. Fits built-in mounting holes	18-001-051	
		Ordered Separately	
		18-001-052	
	CONVERSION KIT		
	Convert manual to automatic drain	3000-01	

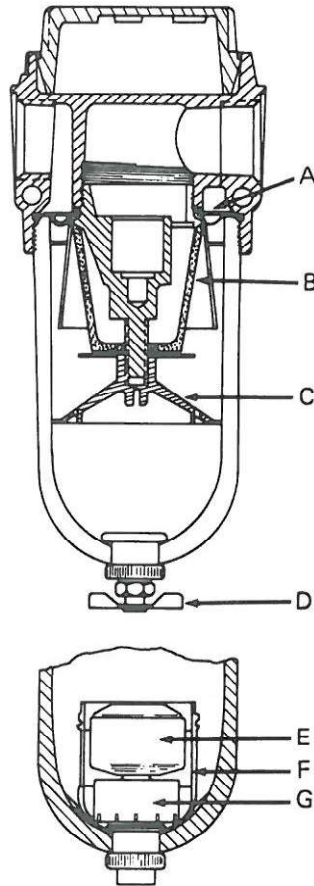
**NORGREN**  
LITTLETON, COLORADO  
©1974, C.A. NORGREN CO.



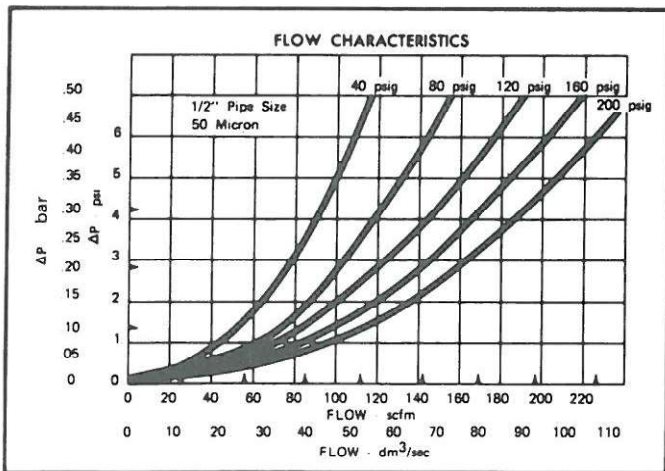
## OPERATION

Air flows through the directional louvers (A) forcing it into whirling flow pattern. Liquid particles are thrown against the inside wall of the bowl by centrifugal force. The liquid particles run down into the bottom of the bowl. The baffle (C) maintains a "quiet zone" in the lower part of the bowl to prevent air turbulence from picking up the liquid and returning it to the air stream. The air then passes through the filter element (B) to remove solid contaminants. Liquid contaminants are drained by opening the manual drain cock (D), or expelled by the automatic drain (G).

An automatic drain assembly, easily interchangeable with the manual drain, automatically dumps liquid as it collects. As liquid builds up in the bowl, float (E) rises, causing piston-type automatic drain assembly (G) to open and release the liquid under pressure. Liquid may also be dumped manually by gently depressing needle up inside drain. Outlet Screen (F) protects drain mechanism.



## PERFORMANCE CHARACTERISTICS



## CONVERSION KIT

The standard F02 Filter can be quickly converted from a manual drain to an automatic drain filter by ordering the Conversion Kit listed in the Accessory Order Table

FOR FURTHER INFORMATION REFER TO NIP-101

NC-101/3-72

## PARTS

REPAIR KIT (elastomers only) . . . . . 3019-01

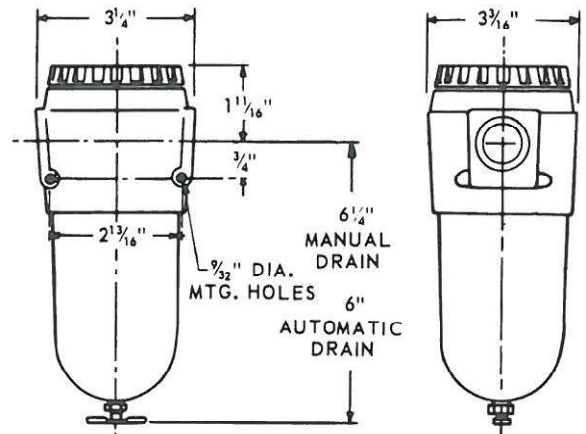
### OTHER PARTS:

Filter element	
5-micron (with gaskets) . . . . .	2992-04
25-micron (with gaskets) . . . . .	2992-11
50-micron (with gaskets) . . . . .	2992-12
Transparent bowl assembly (manual drain)* . . . . .	2487-51
Metal bowl assembly (manual drain)* . . . . .	3047-50
*Bowl assemblies include insert, gasket, bowl, retainer, drain cock	
Float (for automatic drain models) . . . . .	3003-50
Automatic drain assembly (for automatic drain models) . . . . .	3000-10
Transparent bowl only . . . . .	2487-02
Metal bowl only . . . . .	3047-01
Use flexible tubing or non-rigid piping for automatic drain connection — 1/8" inside diameter minimum.	

## CAUTION

THIS FILTER SHOULD NOT BE USED IN APPLICATIONS WHICH MAY EXCEED MAXIMUM RECOMMENDED OPERATING CONDITIONS. DURING MAINTENANCE PERIODS INSPECT AND CLEAN EACH PART CAREFULLY, USING ONLY CLEAR, WARM WATER OR KEROSENE. DO NOT USE SOLVENTS AS THE POLYCARBONATE BOWL MAY BECOME DAMAGED.

## DIMENSIONS



**C. A. NORGREN CO.**

LITTLETON, COLORADO

80120 / 303-794-2611

Copyright © 1972, C.A. Norgren Co.

Printed in U.S.A.