

NORGREN Designer™ Series F08, F12 & F17 General Purpose Compressed Air Filters

NC-126
January 1990
Supersedes October 1984

OBSOLETE DOCUMENT
Technical Reference Only



NORGREN Designer Series General Purpose Filters are used in compressed air systems to remove liquids and solid particles from the compressed air. **Standard filters listed in the following table include a 50-micron filter element and PTF port threads.** Options include a service life indicator that turns from green to red when the element needs to be cleaned or replaced, 5 and 75-micron elements, metal bowl without sight glass, 3-ounce polycarbonate bowl, and ISO G port threads.

Ordering Information

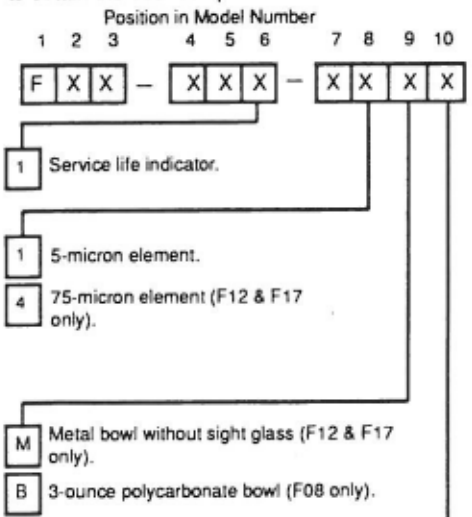
Type	Port Size PTF	MODEL NUMBERS					
		AUTOMATIC DRAIN & 50-MICRON ELEMENT			MANUAL DRAIN & 50-MICRON ELEMENT		
		Metal Bowl With Sight Glass	Transparent Polycarbonate Bowl	Transparent Polycarbonate Bowl With Guard	Metal Bowl With Sight Glass	Transparent Polycarbonate Bowl	Transparent Polycarbonate Bowl With Guard
F08	1/4	F08-200-A3DA	F08-200-A3TA	-	F08-200-M3DA	F08-200-M3TA	-
	3/8	F08-300-A3DA	F08-300-A3TA	-	F08-300-M3DA	F08-300-M3TA	-
	1/2	F08-400-A3DA	F08-400-A3TA	-	F08-400-M3DA	F08-400-M3TA	-
F12		F12 IS OBSOLETE. REPLACED WITH F74G. SEE NORGREN CATALOG NCA-33.					
F17	3/4	F17-600-A3DA	-	-	F17-600-M3DA	-	-
	1	F17-800-A3DA	-	-	F17-800-M3DA	-	-
	1-1/4	F17-A00-A3DA	-	-	F17-A00-M3DA	-	-
	1-1/2	F17-B00-A3DA	-	-	F17-B00-M3DA	-	-

Features

- Removes liquid and solid contaminants to protect air tools and other equipment.
- Screw-on bowl reduces maintenance time.
- Cleanable depth-type element has extra large surface area for long service life.
- Can be disassembled for cleaning without the use of tools or removal from air line.
- Choice of automatic or manual drain. Use automatic drain models if filter will be installed in an inaccessible area and when large quantities of water are present. Automatic drain operates when liquid accumulates above a certain level.
- Optional models with a service life indicator are available. The indicator turns from green to red when the element needs to be cleaned or replaced.
- The F08 is available as a modular unit without port threads. See NORGREN Publication NCA-12 for complete information.

Options

Note the model number in the order table that comes closest to the desired filter. Change the model number as shown in the following diagram to obtain the desired option.



Accessories

- Wall Mounting Brackets:
 F08: 3783-52
 F12: 5532-04
 F17: 6212-50 (3/4" & 1/2" Ports)
 6212-51 (1-1/4" Ports)
- Panel Mounted Service Life Indicator: 18-003-025
 Filter Mounted Service Life Indicator Field Conversion Kit (F08 Only): 5796-40
 F12 Bowl Guard for Transparent Bowl: 5270-50

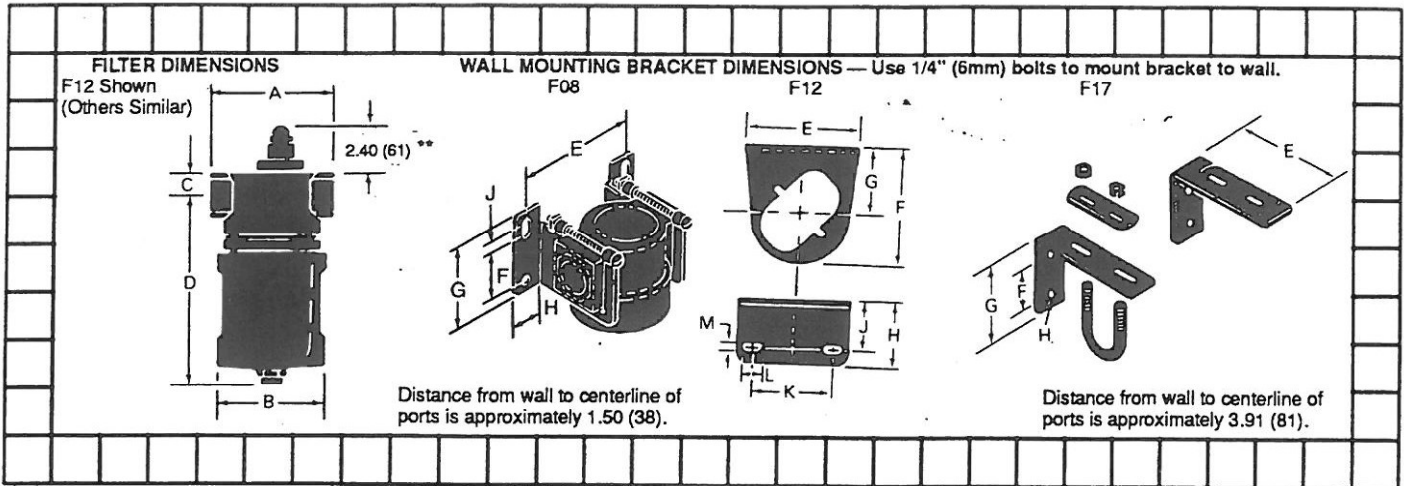
Repair Kits

	F08	F12	F17
O-Rings & Gaskets	3163-05	3019-09	5578-05
5-micron Element	3161-16	2992-18	5311-01
50-micron Element	3161-18	2992-20	5311-03
75-micron Element	-	3793-01	5656-01
Metal Bowl			
Sight Glass	2273-20	2273-08	2273-15

NORGREN © NORGREN 1996
 5400 South Delaware
 Littleton, CO 80120-1663
 Phone 303-794-2611, Fax 303-795-9487

ISO G ports. Not available on F12 Filters with 3/4" ports or F17 with 1-1/2" ports.

Technical Data



Dimensions — All Dimensions in Inches (mm).

Type	A	B		D		E	F	G	H	J	K	L	M
		Max. Dia.	C	Auto. Drain	Man. Drain								
F08	2.75 (70)	2.68 (68)	0.67 (17)	5.70 (145)	6.08 (154)	3.56 (90)	1.50 (38)	2.40 (61)	0.27 (6) Dia.	0.25 (6)	—	—	—
F12	*	3.50 (89)	0.67 (17)	6.31 (160)	6.69 (170)	3.50 (89)	3.69 (94)	2.06 (52)	1.98 (50)	1.50 (38)	2.52 (64)	0.64 (16)	0.28 (7)
F17	4.75 (121)	5.52 (140)	1.25 (32)	10.06 (256)	10.44 (265)	5.13 (130)	1.69 (43)	3.00 (76)	0.34 (9) Dia.	—	—	—	—

* 3.62 (92) on filters with 1/4" and 3/8" ports; 3.91 (99) on filters with 1/2" and 3/4" ports.

** Optional service life indicator.

Specifications

Fluid: Compressed Air

Maximum Inlet Pressure:

Transparent Bowl: 150 psig (10.3 bar)

Metal Bowl 250 psig (17.2 bar)

Maximum Temperature:

Transparent Bowl: 125°F (52°C)

Metal Bowl 175°F (79°C)

Automatic Drain:

Connection: 1/8" NPTF

Minimum Operating Pressure: 10 psig

(.69 bar). The drain is open when the

filter is not pressurized and closes

when the bowl is pressurized to

approximately 5 psig.

Materials of Construction

Body:

F08 & F12: Zinc

F17: Aluminum

Bowl:

Transparent: Polycarbonate Plastic

Metal:

F08 & F12: Zinc

F17: Aluminum

Metal Bowl Sight Glass: Pyrex

Elastomers: Neoprene and Nitrile

Filter Element:

5-, 25-, 50-micron:

F08 and F12: Porous Polypropylene

F17: Sintered Bronze

75-micron: Stainless Steel Screen

Graphic Symbols



Manual Drain



Automatic Drain

NOTE

Water vapor will pass through these filters and could condense into liquid form downstream as air temperature drops. Install a NORGREN air dryer if water condensation could have a detrimental effect on the application.