

Olympian Plus General Purpose Filter
3/4", 1", 1-1/4", 1-1/2" Port Sizes

- Olympian Plus plug in system
- Effective liquid removal and positive solid particle filtration
- Large filter element area provides minimum pressure drop
- Optional visual service indicator turns from green to red when the filter element needs to be replaced
- Factory option electrical service life indicator provides electrical output when the filter element needs to be replaced - see page ALE-25-23.



Ordering Information. Models listed include a 1 quart bowl with 40 µm long element, automatic drain, and yoke with PTF threads.

Port Size	Model	Flow [†] scfm (dm ³ /s)	Weight lb (kg)
3/4	F68E-6AN-AU3	339 (160)	2.45 (5.3)
1	F68E-8AN-AU3	403 (190)	2.33 (5.1)
1-1/4	F68E-AAN-AU3	424 (200)	2.43 (5.3)
1-1/2	F68E-BAN-AU3	424 (200)	2.30 (5.0)

[†] Typical flow with a 40µm element at 90 psig (6.3 bar) inlet pressure and 7 psig (0.5 bar) pressure drop.

Alternative Models

F 6 8 E - ★ ★ ★ - ★ ★ ★

Bowl/Element Type	Substitute
1 pint (0.5 liter) bowl w/short element	G
1 quart (1 liter) bowl w/long element	E

Port Size	Substitute
3/4"	6
1"	8
1-1/4"	A
1-1/2"	B
None	N

Threads	Substitute
PTF	A
ISO Rc taper	B
ISO G parallel	G
None	N

Service Life Indicator	Substitute
Visual	D
Electrical	E
Without	N

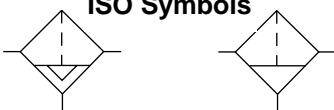
Element	Substitute
5 µm	1
25 µm	2
40 µm	3

Bowl	Substitute
1 quart (1 liter) without liquid level indicator	C**
1 pint (0.5 liter) without liquid level indicator	M*
1 pint (0.5 liter) with liquid level indicator	R*
1 quart (1 liter) with liquid level indicator	U**

Drain	Substitute
Automatic	A
No drain (Closed bowl)	E
Manual	M
Manual, 1/4 turn	Q

* Only available with F68G

** Only available with F68E

ISO Symbols

Auto Drain
Manual Drain



Technical Data

Fluid: Compressed air
 Maximum pressure: 250 psig (17 bar)
 Operating temperature*: 0° to +175°F (-20° to +80°C)

* Air supply must be dry enough to avoid ice formation at temperatures below +35°F (+2°C).
 Particle removal: 5, 25 or 40 µm
 Air quality: Within ISO 8573-1, Class 3 and Class 5 (particulates)
 Typical flow with a 40 µm element at 90 psig (6.3 bar) inlet pressure and a 7 psig (0.5 bar) pressure drop:
 403 scfm (190 dm³/s)
 1/4 turn manual drain connection: 1/8" pipe thread
 Automatic drain connection: 1/8" pipe thread
 Automatic drain operating conditions (float operated):
 Bowl pressure required to close drain: Greater than 5 psig (0.3 bar)
 Bowl pressure required to open drain: Less than 3 psig (0.2 bar)
 Minimum air flow required to close drain: 2 scfm (1 dm³/s)
 Manual operation: Depress pin inside drain outlet to drain bowl

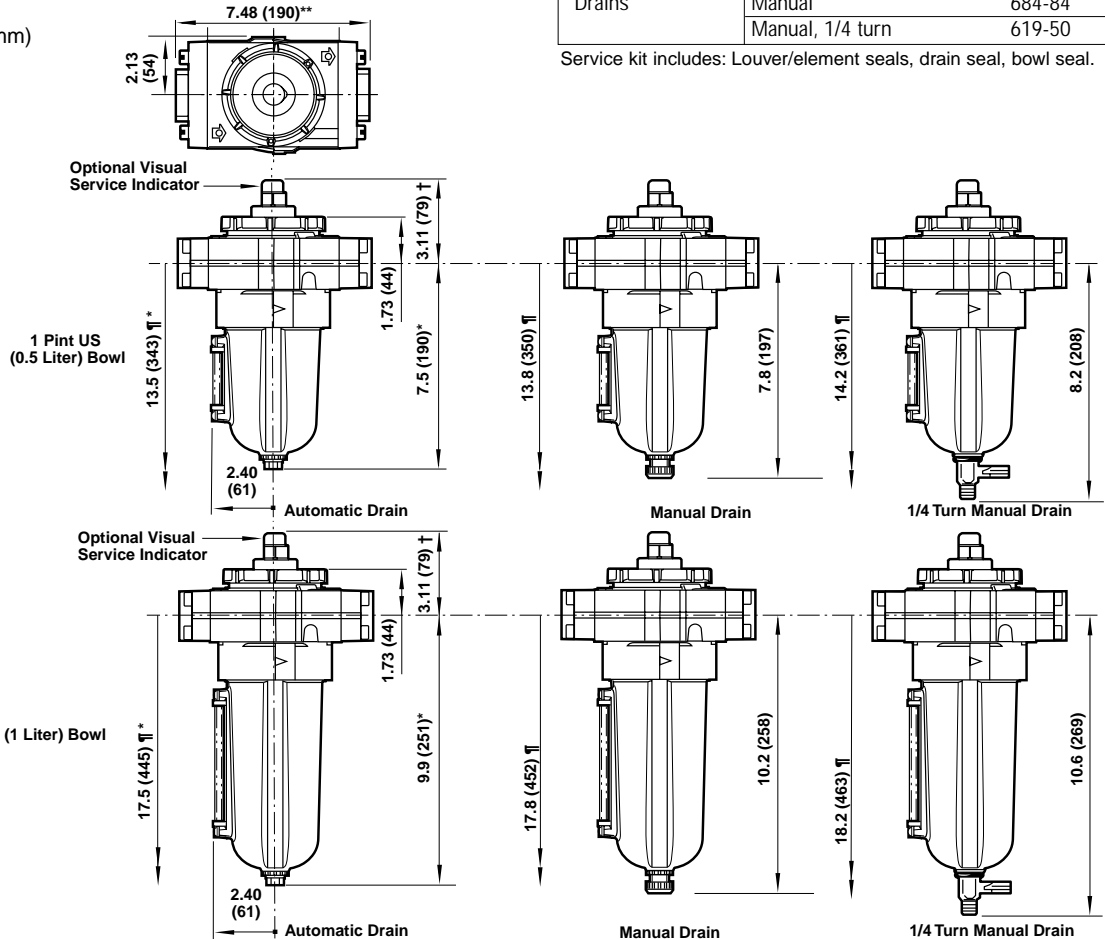
Nominal bowl size:
 1 pint U.S. (0.5 liter)
 1 quart U.S. (1 liter)

Materials:

Body: Aluminum
 Yoke: Aluminum
 Bowl: Aluminum
 Liquid level indicator: Pyrex
 Element: Sintered bronze or polypropylene
 Elastomers: Synthetic rubber

An automatic drain is a two-way valve, which will close when the system is pressurized. The drain opens when the float rises due to accumulated liquid and on depressurization.

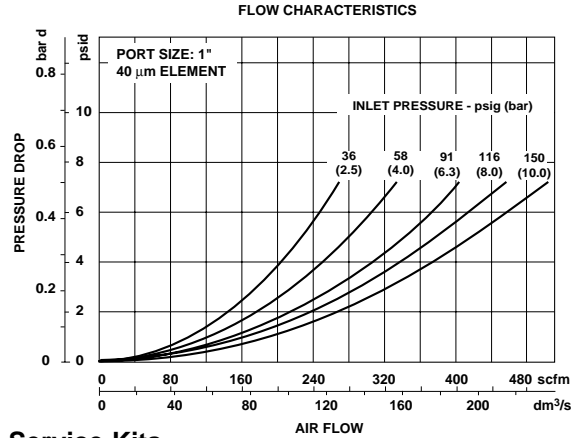
All Dimensions in Inches (mm)



† For optional electrical service life indicator add 0.20" (5 mm).
 ** For 1-1/4" and 1-1/2" ported yokes, add 0.39" (10 mm).

*Dimension also applies to closed bottom bowl.
 †† Minimum clearance required to remove bowl.

Typical Performance Characteristics



Service Kits

Item	Type	Part Number
Service Kit	Seal and gasket	4380-300
Replacement Elements	5 µm (1 pint bowl)	5576-97
	25 µm (1 pint bowl)	5576-98
	40 µm (1 pint bowl)	5576-99
	5 µm (1 quart bowl)	5311-01
Replacement Sight Glass	25 µm (1 quart bowl)	5311-02
	40 µm (1 quart bowl)	5311-03
Replacement Drains	1 pint bowl	4380-060
	1 quart bowl	4380-061
Replacement Drains	Automatic (G 1/8 outlet)	3000-97
	Automatic (1/8 NPT outlet)	3000-10
	Manual	684-84
	Manual, 1/4 turn	619-50

Service kit includes: Louver/element seals, drain seal, bowl seal.