

MODULAR VENTURI VACUUM GENERATORS











The NVP Series provides maximum design flexibility by using a modular component approach. Integrating a venturi vacuum generator, sensors, and switches within one assembly, the NVP Series provides complete vacuum systems capable of interfacing with control systems.



Fast Find Guide

Please note: These products represent only part of the IMI Precision Engineering vacuum range. If you can't see the option you require please contact us.

● Modular Venturi Vacuum Generators

<p>NVP00 Min Series - Vacuum level up to 28"Hg, flow up to 0.50 SCFM, compact / lightweight with blowoff option</p>  <p>Page 14</p>	<p>NVP10 Mid Series - Vacuum level up to 28"Hg, flow up to 3.50 SCFM, with blowoff, multi-port options</p>  <p>Page 21</p>	<p>NVP20 Mid Series - Vacuum level up to 28"Hg, flow up to 3.50 SCFM, with blowoff, multi-port, air saver options</p>  <p>Page 29</p>	<p>NVP50 Mid Series - Vacuum level up to 28"Hg, flow up to 3.50 SCFM, with blowoff, air saver options</p>  <p>Page 43</p>	<p>NVP80 Max Series Vacuum level up to 28"Hg, flow up to 9.50 SCFM</p>  <p>Page 48</p>
<p>NVP90 Max Series Vacuum level up to 28"Hg, flow up to 28.00 SCFM</p>  <p>Page 66</p>	<p>NHVP High Vac Series Vacuum level up to 29.5"Hg, flow up to 6.00 SCFM</p>  <p>Page 79</p>	<p>NMSV07 Multi-Stage Series - 1 & 2 Stage Vacuum level up to 28"Hg, flow up to 28.00 SCFM</p>  <p>Page 81</p>	<p>NMSV14 Multi-Stage Series - 2 & 3 Stage Vacuum level up to 28"Hg, flow up to 28.00 SCFM</p>  <p>Page 83</p>	<p>NMSV25 Multi-Stage Series - 2 & 3 Stage Vacuum level up to 28"Hg, flow up to 28.00 SCFM</p>  <p>Page 85</p>

NVP00

- High Productivity – non-clogging design reduces downtime
- Strong hold – powerful vacuum up to 28"Hg [948mbar]
- Mounts Easily – compact and lightweight
- Fast Response – installs close to vacuum point
- Efficient – minimal air consumption
- Reliable operation – straight-through design with no moving parts

Technical Data

Fluid
Filtered (50 Micron) unlubricated, non-corrosive dry gases

Operating Pressure
80 PSI (5.5 bar) Standard or 60 PSI (4.1 bar)

Operating Temperature
-30° to ~250° F (-34° to 121°C)

Materials
Generator Body: Anodized Aluminum

Supply line
Min. 5/32" (4mm)

Vacuum line
1/4" (6mm)

Mounting holes
Mounting holes accept 4-40 [M3] screws

Control valve
3 way/2 position (faster part release), minimum orifice – 0.062" [1.57mm]

Performance level designations
"M", "Y" 0-20"Hg [0 to 677mbar] for medium vacuum/high flow applications
"H", "Z" 0-28"Hg [0 to 948mbar] for high vacuum/standard flow applications

Product options
Standard (NVP00)
Pneumatic blow-off (NVPOX)
Valve Controlled blow-off (NVP01)



Standard Models

Accessories

Part number	Max. Vacuum Level	Max. Vacuum Flow	Air Consumption	Silencer
NVP00-60M-S04A00	20"Hg	0.5 SCFM	0.5 SCFM	NST2 Silencer
NVP00-60H-S04A00	28"Hg	0.5 SCFM	0.8 SCFM	NST2 Silencer

Option selector

NVP★00-60★-S★A★

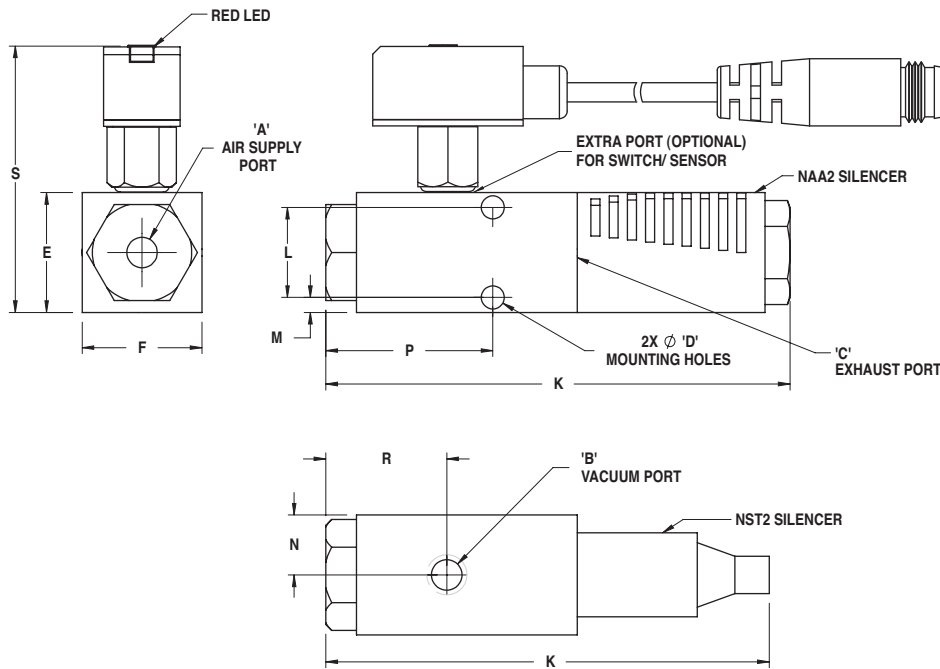
Series	Substitute	Accessories	Substitute
NVP (Imperial Thread)		Extra Ports / No Accessories (standard)	A00
NVPM (Metric Thread)	M	Extra Ports / NVTMV-QD-6	A02
		Extra Ports / NVSMN-QD-6	A04
		Extra Ports / NVSMP-QD-6	A06
		No Port / No Accessories	
Vacuum Flow Level	Substitute	Silencers	Substitute
20"Hg @ 80PSI (Standard)	M	None	S00
28"Hg @ 80PSI (Standard)	H	NAA2 (58dB)	S01
20"Hg @ 60PSI	Y	NST2 (68dB)	S04
28"Hg @ 60PSI	Z		

● Accessories

Standard Models	Inline Fitting	Elbow Fitting	Vacuum Fitting	Bellows Cup	Flat Cup	Spring Leveler
NVP00-60M-S04A00	124250210	124470210	NVCF13-1032M	NBG*****	NFG*****	NVSL1_***
NVP00-60H-S04A00	124250210	124470210	NVCF13-1032M	NBG*****	NFG*****	NVSL1_***

*Proper selection of vacuum cups depends on the application. Cups are available in various durometers, colors and materials. If you do not see what you are looking for, please consult factory
 *The fittings, cups, and spring levelers listed are a small selection of possible options please refer to the specific catalog section

● Dimensions inches (mm)



Model	Units	A	B	C	D	E	F	K	L	M	N	P	R	S
NVP00-60*-S01A0*	Imperial	10-32	10-32	1/8 NPTF	0.12	0.62	0.62	2.42	0.47	0.08	0.31	0.89	0.63	1.36
NVP00-60*-S04A0*	Imperial	10-32	10-32	1/8 NPTF	0.12	0.62	0.62	2.35	0.47	0.08	0.31	0.89	0.63	1.36
NVPM00-60*-S01A0*	(Metric)	(M5)	(M5)	(G 1/8)	(3.00)	(15.75)	(15.75)	(61.47)	(11.94)	(2.03)	(7.87)	(22.60)	(16.00)	(34.53)
NVPM00-60*-S04A0*	(Metric)	(M5)	(M5)	(G 1/8)	(3.00)	(15.75)	(15.75)	(59.69)	(11.94)	(2.03)	(7.87)	(22.60)	(16.00)	(34.53)

NVPOX

Pneumatic Blow-off

- All in one vacuum and blow-off - only compressed air required
- High Productivity – non-clogging design reduces downtime
- Strong hold – powerful vacuum up to 28"Hg [948mbar]
- Mounts Easily – compact and lightweight
- Fast Response – installs close to vacuum point
- Efficient – minimal air consumption
- Reliable operation – straight-through design with no moving parts

Technical Data

Fluid
Filtered (50 Micron) unlubricated, non-corrosive dry gases

Operating Pressure
80 PSI (5.5 bar) Standard or 60 PSI (4.1 bar)

Operating temperature
-30° to ~250° F (-34° to 121°C)

Materials
Generator Body: Anodized Aluminum

Generator options
B1 adjustable version allows the user to set the intensity of the blow-off from no blow-off to full blow-off

Cycle rates
Up to 900/min

Blow-off response time
Instantaneous

Blow-off Duration
100 milliseconds (based on system design)

Orientation
Any

Supply line
Min. 5/32" (4mm)

Vacuum line
1/4" (6mm)

Mounting holes
Mounting holes accept 4-40 [M3] screws

Control valve
3 way/2 position (faster part release), minimum orifice – 0.093" [2.5mm]

Performance level designations
"M", "Y" 0-20"Hg [0 to 677mbar] for medium vacuum/high flow applications
"H", "Z" 0-28"Hg [0 to 948mbar] for high vacuum/standard flow applications

Product options
Standard (NVPO0)
Pneumatic blow-off (NVPOX)
Valve Controlled blow-off (NVP01)



Standard Models

Accessories

Part number	Max. Vacuum Level	Max. Vacuum Flow	Air Consumption	Silencer
NVPOX-60M-S04A00	20"Hg	0.5 SCFM	0.5 SCFM	NST2 Silencer
NVPOX-60H-S04A00	28"Hg	0.5 SCFM	0.8 SCFM	NST2 Silencer

Option selector

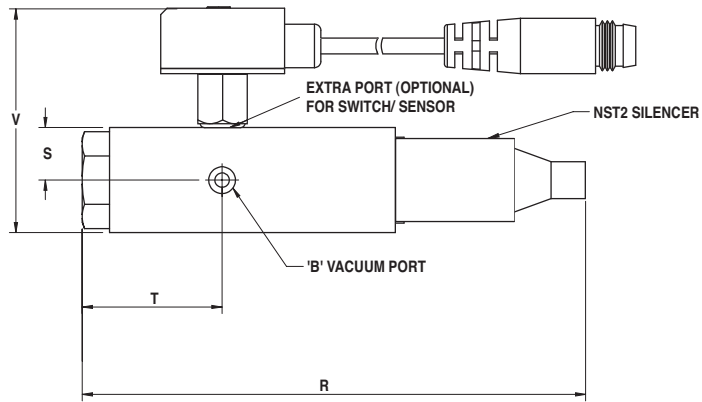
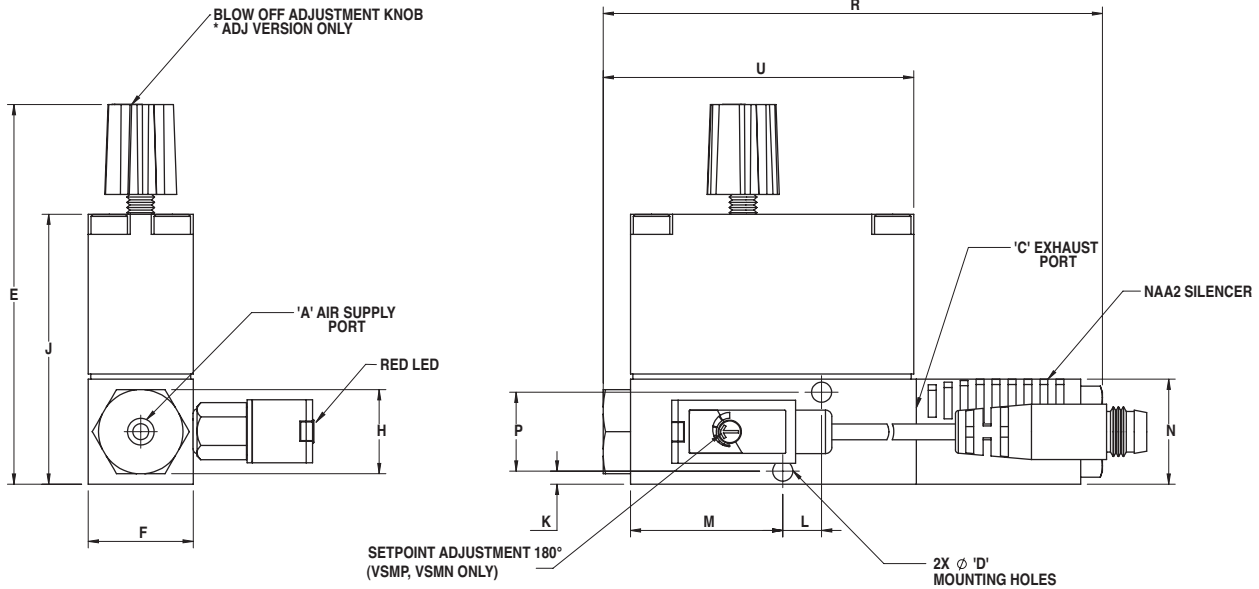
NVP★OX★★-60★-S★★A★★

Series	Substitute	Accessories	Substitute
NVP (Imperial Thread)		Extra Port if Available / No Accessories (standard)	A00
NVPM (Metric Thread)	M	Extra Port if Available / NVTMV-QD-6	A02
		Extra Port if Available / NVSMN-QD-6	A04
		Extra Port if Available / NVSMP-QD-6	A06
Blowoff	Substitute	Silencers	Substitute
Non-adjustable (Standard)	B0	None	S00
Adjustable	B1	NAA2 (58dB)	S01
		NST2 (68dB)	S04
Vacuum Level	Substitute		
20"Hg @ 80PSI (Standard)	M		
28"Hg @ 80PSI (Standard)	H		

NVPOX

Pneumatic Blow-off

● Dimensions inches (mm)



Model	Units	A	B	C	D	E*	F	J	K	L	M	N	P	R	S	T	U	V
NVPOXB0-60*-S01A0*	Imperial	10-32	10-32	1/8 NPTF	0.12	2.26	0.63	1.61	0.078	0.23	0.91	0.63	0.47	2.97	0.31	0.83	1.85	1.36
NVPOXB0-60*-S04A0*	Imperial	10-32	10-32	1/8 NPTF	0.12	2.26	0.63	1.61	0.078	0.23	0.91	0.63	0.47	2.90	0.31	0.83	1.85	1.36
NVPMOXB0-60*-S01A0*	(Metric)	(M5)	(M5)	(G 1/8)	(3.00)	(57.40)	(16.00)	(40.89)	(1.98)	(5.84)	(23.11)	(15.88)	(11.91)	(75.44)	(7.87)	(21.08)	(46.99)	(34.53)
NVPMOXB0-60*-S04A0*	(Metric)	(M5)	(M5)	(G 1/8)	(3.00)	(57.40)	(16.00)	(40.89)	(1.98)	(5.84)	(23.11)	(15.88)	(11.91)	(73.66)	(7.87)	(21.08)	(46.99)	(34.53)

NVP01

- High Productivity – non-clogging design reduces downtime
- Strong hold – powerful vacuum up to 28"Hg [948mbar]
- Mounts Easily – compact and lightweight
- Fast Response – installs close to vacuum point
- Efficient – minimal air consumption
- Reliable operation – straight-through design with no moving parts

Technical Data

Fluid
Filtered (50 Micron) unlubricated, non-corrosive dry gases

Operating Pressure
80 PSI (5.5 bar) Standard or 60 PSI (4.1 bar)

Operating Temperature
-30° to ~250° F (-34° to 121°C)
20° to 120°F [-7° to 49°C] (Valve option)

Materials
Generator Body: Anodized Aluminum

Supply line
Min. 5/32" (4mm)

Vacuum line
1/4" (6mm)

Mounting holes
Mounting holes accept 4-40 [M3] screws

Electrical
24V -5% to 10% (VA/VD, VB/VE option)
12V -5% to 10% (VC/VF option)

Power Consumption (Watts)
1.6

Response Times
8 milliseconds

Cycle Rate
45 cycles/second

Average Valve Life
50 million cycles

Electrical Connection
11.8" Flying Lead

LED Indicator with Manual Override
Yes

Control valve
12V (VC/VF option) or 24V normally closed (VA/VD option) or 24V normally open (VB/VE option)

Performance level designations
"M", "Y" 0-20"Hg [0 to 677mbar] for medium vacuum/high flow applications
"H", "Z" 0-28"Hg [0 to 948mbar] for high vacuum/standard flow applications

Product options
Standard (NVP00)
Pneumatic blow-off (NVPOX)
Valve Controlled blow-off (NVP01)



Standard Models

Part number	Valve	Max. Vacuum Level	Max. Vacuum Flow	Air Consumption	Silencer	Blow Off
NVP01VA-60M-S04A00	NC 24V	20"Hg	0.5 SCFM	0.5 SCFM	NST2 Silencer	None
NVP01VA-60H-S04A00	NC 24V	28"Hg	0.5 SCFM	0.8 SCFM	NST2 Silencer	None
NVP01VD-60M-S04A00	NC 24V	20"Hg	0.5 SCFM	0.5 SCFM	NST2 Silencer	Valve Controlled
NVP01VD-60H-S04A00	NC 24V	28"Hg	0.5 SCFM	0.8 SCFM	NST2 Silencer	Valve Controlled

Accessories

Option selector

NVP01★★-60★-S★★A★★

Series	Substitute
NVP (Imperial Thread)	
NVPM (Metric Thread)	M
Valve	Substitute
NC 24V Vacuum	VA
NO 24V Vacuum	VB
NC 12V Vacuum	VC
NC 24V Vacuum, NC 24V Blow Off	VD
NO 24V Vacuum, NC 24V Blow Off	VE
NC 12V Vacuum, NC 12V Blow Off	VF
Vacuum Flow Level	Substitute
20"Hg @ 80PSI (Standard)	M
28"Hg @ 80PSI (Standard)	H
20"Hg @ 60PSI	Y
28"Hg @ 60PSI	Z

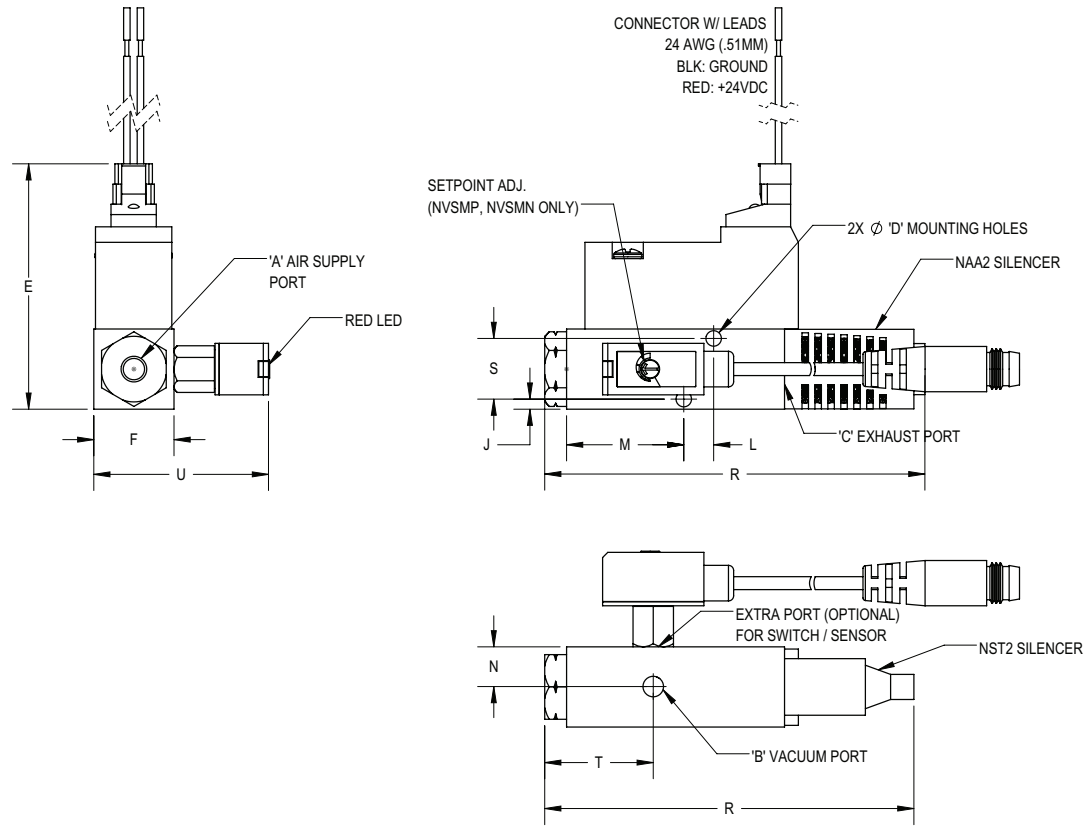
Accessories	Substitute
Extra Ports / No Accessories (standard)	A00
Extra Ports / NVTMV-QD-6	A02
Extra Ports / NVSMN-QD-6	A04
Extra Ports / NVSMP-QD-6	A06
No Port / No Accessories	
Silencers	Substitute
None	S00
NAA2 (58dB)	S01
NST2 (68dB)	S04

● Accessories

Standard Models	Inline Fitting	Elbow Fitting	Vacuum Fitting	Bellows Cup	Flat Cup	Spring Leveler
NVP00-60M-S04A00	124250210	124470210	NVCF13-1032M	NBG*****	NFG*****	NVSL1_***
NVP00-60H-S04A00	124250210	124470210	NVCF13-1032M	NBG*****	NFG*****	NVSL1_***

*Proper selection of vacuum cups depends on the application. Cups are available in various durometers, colors and materials. If you do not see what you are looking for, please consult factory
 *The fittings, cups, and spring levelers listed are a small selection of possible options please refer to the specific catalog section

● Dimensions inches (mm)

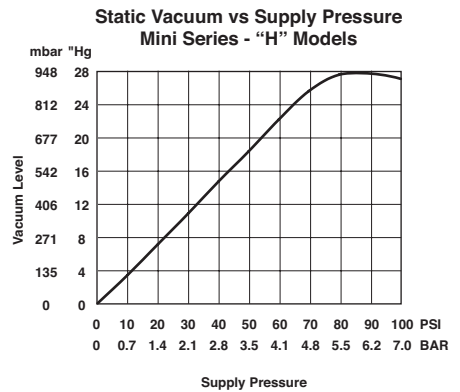
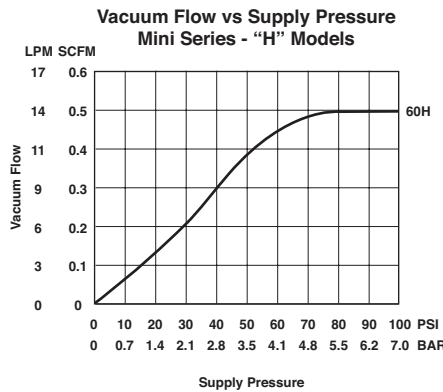
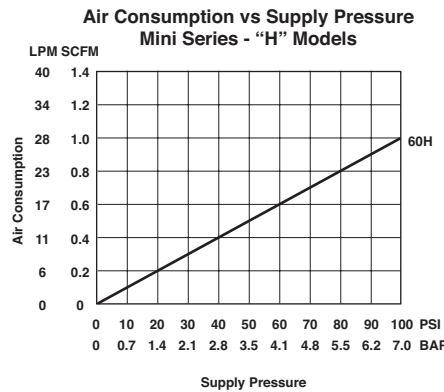
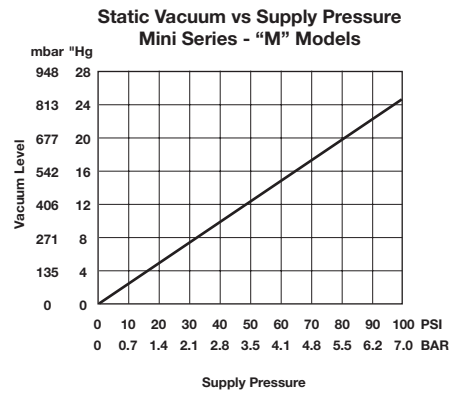
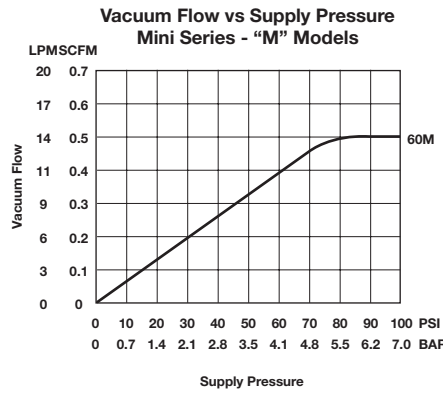
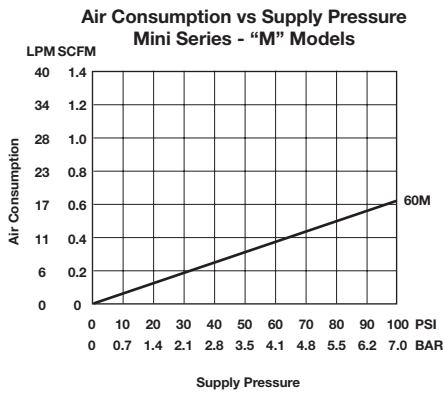


Model	Units	A	B	C	D	E	F	J	L	M	N	R	S	T	U
NVP00-60*-S01A0*	Imperial	10-32	10-32	1/8 NPTF	0.12	1.90	0.62	0.08	0.23	0.91	0.31	2.94	0.47	0.84	1.35
NVP00-60*-S04A0*	Imperial	10-32	10-32	1/8 NPTF	0.12	1.90	0.62	0.08	0.23	0.91	0.31	2.85	0.47	0.84	1.35
NVPM00-60*-S01A0*	(Metric)	(M5)	(M5)	(G 1/8)	(3.00)	(48.3)	(15.75)	(2.0)	(5.8)	(23.1)	(7.87)	(74.7)	(11.9)	(21.3)	34.3
NVPM00-60*-S04A0*	(Metric)	(M5)	(M5)	(G 1/8)	(3.00)	(48.3)	(15.75)	(2.0)	(5.8)	(23.1)	(7.87)	(72.4)	(11.9)	(21.3)	(34.3)

● Performance Data

Model	Air Consumption SCFM (L/min)	Vacuum Level "Hg (mbar)	0"Hg (0)	3"Hg (102)	6"Hg (203)	9"Hg (305)	12"Hg (406)	15"Hg (508)	18"Hg (609)	20"Hg (677)	21"Hg (711)	24"Hg (813)	27"Hg (914)	28"Hg (948)
60M	0.50 (14.16)	Vacuum Flow	0.50	0.40	0.30	0.22	0.15	0.08	0.03	0.00	-	-	-	-
		SCFM (L/min)	(14.20)	(11.30)	(8.50)	(6.20)	(4.20)	(2.30)	(0.80)	(0.00)	(-)	(-)	(-)	(-)
		Evacuation time (seconds)	0.00	12.50	25.10	43.90	68.60	99.30	153.70	227	(8.00)	(-)	(-)	(-)
60H	0.80 (22.70)	Vacuum Flow	0.50	0.38	0.32	0.30	0.27	0.23	0.20	-	0.13	0.05	0.02	0.00
		SCFM (L/min)	(14.20)	(10.80)	(9.10)	(8.50)	(7.60)	(6.50)	(5.70)	(-)	(3.70)	(1.40)	(0.60)	(0.00)
		Evacuation time (seconds)	0.00	15.00	29.80	50.60	74.50	102.80	135.90	-	182.20	245.90	410.20	790.80
			(0.00)	(0.50)	(1.10)	(1.80)	(2.60)	(3.60)	(4.80)	(-)	(6.50)	(8.70)	(14.50)	(27.90)

Evacuation time in seconds based on 1 cubic foot volume / "Hg (1 Liter Volume / mbar)



Notes: Standard operating pressure for IMI Norgren generators is 80 PSI [5.5 bar]. Generators can be factory modified to run at other operating pressures i.e. 60 PSI [4.1 bar] etc. The values shown in the performance chart will remain the same for all operating pressures.

Warnings

Improper selection, misuse, age or malfunction of components used in systems can cause failure in various modes. The system designer is warned to consider the failure modes of all component parts and to provide adequate safeguards to prevent personal injury or damage to equipment or property in the event of such failure modes. System designers and end users are cautioned to consult instruction sheets and specifications available from the factory. The system designer/end user is responsible for verifying that all requirements for the application are met.

Warranty

The products described herein are warranted subject to seller's Standard Terms and Condition of Sale, available at seller's website.

NVP10

- High Productivity – non-clogging design reduces downtime
- Strong hold – powerful vacuum up to 28"Hg [948mbar]
- Mounts Easily – compact and lightweight
- Fast Response – installs close to vacuum point
- Efficient – minimal air consumption
- Reliable operation – straight-through design with no moving parts

Technical Data

Fluid:
Filtered (50 Micron) unlubricated, non-corrosive dry gases

Operating Temperature
-30° to ~250° F (-34° to ~121°C)

Operating Pressure
80 PSI (5.5 bar) Standard or 60 PSI (4.1 bar)

Materials
Generator Body: Anodized Aluminum
Silencer Body: Nylon

Supply/Vacuum Line
1/4" OD for sizes 60 and 90
3/8" OD for sizes 100 and 150

Mounting Holes
Mounting holes accept 4-40 [M3] screws

Control Valve
3 way/2 position (faster part release), minimum orifice – 0.125" [3mm]

Performance Level Designations
"L", "X" 0-10"Hg [0 to 339mbar] for low vacuum/high flow applications
"M", "Y" 0-20"Hg [0 to 677mbar] for medium vacuum/high flow applications
"H", "Z" 0-28"Hg [0 to 948mbar] for high vacuum/standard flow applications

Product options
Standard (NVP10)
Pneumatic blow-off (NVP1X)
Multi-port (NVP10M0)



Standard Models

Accessories

Part number	Max. Vacuum Level	Max. Vacuum Flow	Air Consumption	Silencer
NVP10-90M-S05A00	20"Hg	1.40 SCFM	1.40 SCFM	NST4 Silencer
NVP10-90H-S05A00	28"Hg	1.20 SCFM	1.80 SCFM	NST4 Silencer
NVP10-100M-S05A00	20"Hg	2.10 SCFM	1.80 SCFM	NST4 Silencer
NVP10-100H-S05A00	28"Hg	2.00 SCFM	2.80 SCFM	NST4 Silencer
NVP10-150M-S05A00	20"Hg	3.50 SCFM	2.80 SCFM	NST4 Silencer
NVP10-150H-S05A00	28"Hg	3.20 SCFM	4.80 SCFM	NST4 Silencer

Option selector

NVP★10-★★★★-S★★A★★

Series	Substitute	Accessories	Substitute
NVP (Imperial Thread)		Extra Port if Available / No Accessories	A00
NVPM (Metric Thread)	M	Extra Port if Available / NVTMV-QD-6	A02
		Extra Port if Available / NVSMN-QD-6	A04
		Extra Port if Available / NVSMP-QD-6	A06
Vacuum Flow Level	Substitute	Silencers	Substitute
Venturi Cartridge 60	60	None	S00
Venturi Cartridge 90	90	NAA4 (62dB)	S02
Venturi Cartridge 100	100	NST4 (68dB)	S05
Venturi Cartridge 150	150	NSTAA4 (58dB)	S12
Vacuum Level	Substitute		
10"Hg @ 80PSI (Standard)	L		
20"Hg @ 80PSI (Standard)	M		
28"Hg @ 80PSI (Standard)	H		
10"Hg @ 60PSI	X		
20"Hg @ 60PSI	Y		
28"Hg @ 60PSI	Z		

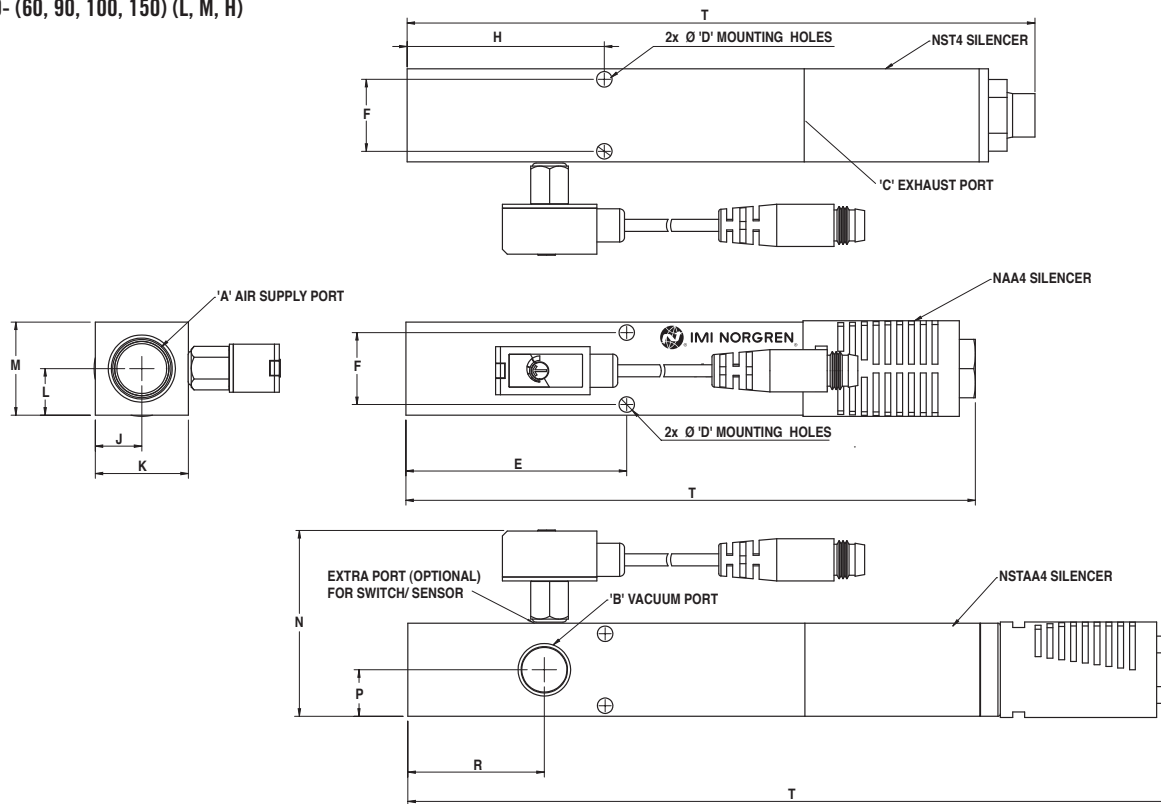
● Accessories

Model	Inline Fitting	Swivel Elbow	Vacuum Fitting	Bellows Cup	Flat Cup	Spring Leveler
NVP10-90M-S05A00	124250428	124470428	NVCF13-18M	NBG*****	NFG*****	NVSL2-***
NVP10-90H-S05A00	124250428	124470428	NVCF13-18M	NBG*****	NFG*****	NVSL2-***
NVP10-100M-S05A00	124250628	124470628	NVCF13-18M	NBG*****	NFG*****	NVSL2-***
NVP10-100H-S05A00	124250628	124470628	NVCF13-18M	NBG*****	NFG*****	NVSL2-***
NVP10-150M-S05A00	124250628	124470628	NVCF13-18M	NBG*****	NFG*****	NVSL2-***
NVP10-150H-S05A00	124250628	124470628	NVCF13-18M	NBG*****	NFG*****	NVSL2-***

*Proper selection of vacuum cups depends on the application. Cups are available in various durometers, colors and materials. If you do not see what you are looking for, please consult factory

● Dimensions inches (mm)

NVP10- (60, 90, 100, 150) (L, M, H)



Model	Units	A	B	C	D	E	F	H	J	K	L	M	N	P	R	T
NVP10-***-A0*S02	Imperial	1/4 NPTF	1/8 NPTF	1/4 NPTF	0.12	1.78	0.58	1.59	0.38	0.75	0.38	0.75	1.48	0.38	1.10	4.59
NVP10-***-A0*S05	Imperial	1/4 NPTF	1/8 NPTF	1/4 NPTF	0.12	1.78	0.58	1.59	0.38	0.75	0.38	0.75	1.48	0.38	1.10	5.06
NVP10-***-A0*S12	Imperial	1/4 NPTF	1/8 NPTF	1/4 NPTF	0.12	1.78	0.58	1.59	0.38	0.75	0.38	0.75	1.48	0.38	1.10	6.17
NVPM10-***-A0*S02	(Metric)	(G 1/4)	(G 1/8)	(G 1/4)	(3.05)	(45.21)	(14.73)	(40.39)	(9.53)	(19.05)	(9.53)	(19.05)	(37.60)	(9.53)	(27.94)	(116.59)
NVPM10-***-A0*S05	(Metric)	(G 1/4)	(G 1/8)	(G 1/4)	(3.05)	(45.21)	(14.73)	(40.39)	(9.53)	(19.05)	(9.53)	(19.05)	(37.60)	(9.53)	(27.94)	(128.52)
NVPM10-***-A0*S12	(Metric)	(G 1/4)	(G 1/8)	(G 1/4)	(3.05)	(45.21)	(14.73)	(40.39)	(9.53)	(19.05)	(9.53)	(19.05)	(37.60)	(9.53)	(27.94)	(156.59)

NVP1X

Pneumatic Blow-off

- All in one vacuum and blow-off - only compressed air required
- High Productivity – non-clogging design reduces downtime
- Strong hold – powerful vacuum up to 28"Hg [948mbar]
- Mounts Easily – compact and lightweight
- Fast Response – installs close to vacuum point
- Efficient – minimal air consumption
- Reliable operation – straight-through design with no moving parts

Technical Data

Fluid
Filtered (50 Micron) unlubricated, non-corrosive dry gases

Operating Temperature
32° to ~125° F (0° to ~52°C)

Operating Pressure
80 PSI (5.5 bar) Standard or 60 PSI (4.1 bar)

Materials
Generator Body: Anodized Aluminum

Generator Options
B1 adjustable version allows the user to set the intensity of the blow-off from no blow-off to full blow-off

Cycle Rates
Up to 120/min

Blow-off Response Time
Instantaneous

Blow-off Duration
100 milliseconds (based on system design)

Orientation
Any

Supply / Vacuum Line
1/4" OD for sizes 60 and 90
3/8" OD for sizes 100 and 150

Mounting Holes
Mounting holes accept 4-40 [M3] screws

Control Valve
3 way/2 position (faster part release), minimum orifice – 0.125" [3mm]

Performance Level Designations
"L", "X" 0-10"Hg [0 to 339mbar] for low vacuum/high flow applications
"M", "Y" 0-20"Hg [0 to 677mbar] for medium vacuum/high flow applications
"H", "Z" 0-28"Hg [0 to 948mbar] for high vacuum/standard flow applications

Product options
Standard (NVP10)
Pneumatic blow-off (NVP1X)
Multi-port (NVP10M0)



Standard Models

Accessories

Part number	Max. Vacuum Level	Max. Vacuum Flow	Air Consumption	Silencer	Blowoff
NVP1XB0-90M-S05A00	20"Hg	1.40 SCFM	1.40 SCFM	NST4 Silencer	Non-Adjustable
NVP1XB0-90H-S05A00	28"Hg	1.20 SCFM	1.80 SCFM	NST4 Silencer	Non-Adjustable
NVP1XB0-100M-S05A00	20"Hg	2.10 SCFM	1.80 SCFM	NST4 Silencer	Non-Adjustable
NVP1XB0-100H-S05A00	28"Hg	2.00 SCFM	2.80 SCFM	NST4 Silencer	Non-Adjustable
NVP1XB0-150M-S05A00	20"Hg	3.50 SCFM	2.80 SCFM	NST4 Silencer	Non-Adjustable
NVP1XB0-150H-S05A00	28"Hg	3.20 SCFM	4.80 SCFM	NST4 Silencer	Non-Adjustable

Option selector

Series		Substitute		Accessories		Substitute	
NVP (Imperial Thread)				Extra Port if Available / No Accessories		A00	
NVPM (Metric Thread)		M		Extra Port if Available / NVTMV-QD-6		A02	
				Extra Port if Available / NVSMN-QD-6		A04	
				Extra Port if Available / NVSMP-QD-6		A06	
Blowoff		Substitute		Silencers		Substitute	
Non-adjustable (Standard)		B0		None		S00	
Adjustable		B1		NAA4 (62dB)		S02	
				NST4 (68dB)		S05	
				NSTAA4 (58dB)		S12	
Vacuum Flow Level		Substitute					
Venturi Cartridge 60		60					
Venturi Cartridge 90		90					
Venturi Cartridge 100		100					
Venturi Cartridge 150		150					
Vacuum Level		Substitute					
10"Hg @ 80PSI (Standard)		L					
20"Hg @ 80PSI (Standard)		M					
28"Hg @ 80PSI (Standard)		H					
10"Hg @ 60PSI		X					
20"Hg @ 60PSI		Y					
28"Hg @ 60PSI		Z					

NVP1X

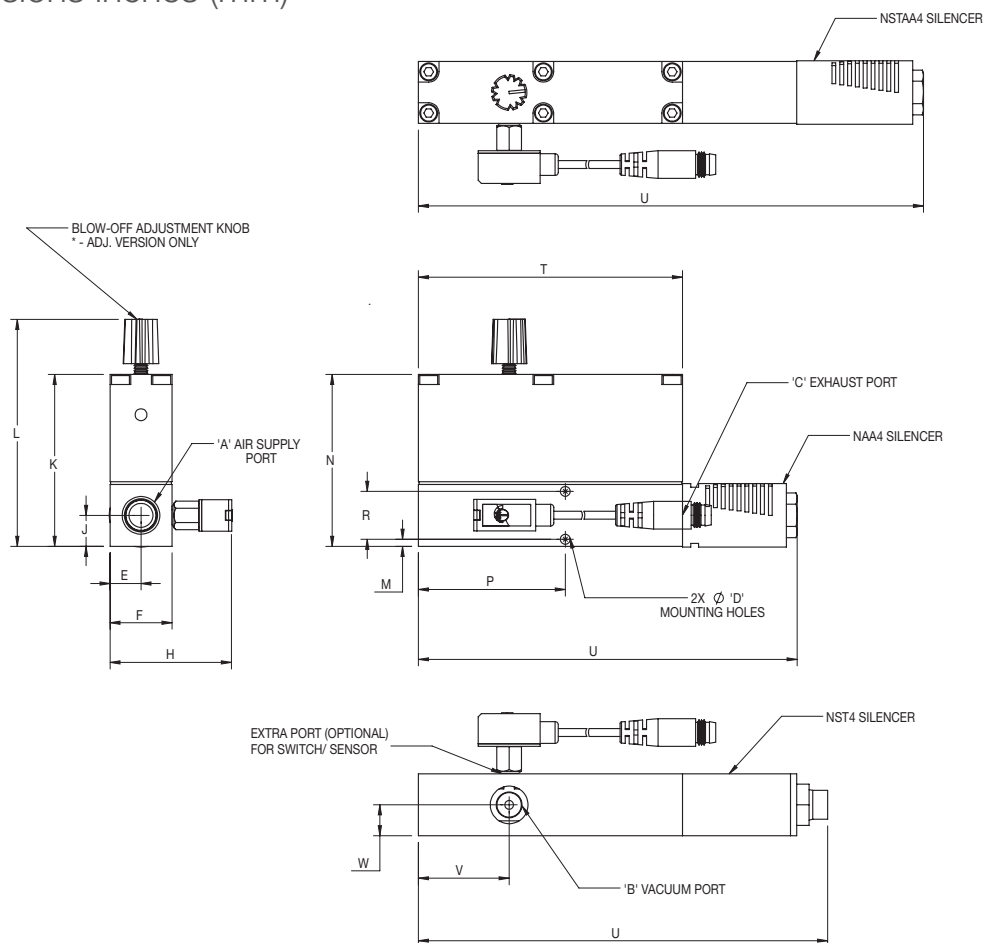
Pneumatic Blow-off

Accessories

Model	Inline Fitting	Swivel Elbow	Vacuum Fitting	Bellows Cup	Flat Cup	Spring Leveler
NVP1XB0-90M-S05A00	124250428	124470428	NVCF13-18M	NBG*****	NFG*****	NVSL3-***
NVP1XB0-90H-S05A00	124250428	124470428	NVCF13-18M	NBG*****	NFG*****	NVSL3-***
NVP1XB0-100M-S05A00	124250628	124470628	NVCF13-18M	NBG*****	NFG*****	NVSL3-***
NVP1XB0-100H-S05A00	124250628	124470628	NVCF13-18M	NBG*****	NFG*****	NVSL3-***
NVP1XB0-150M-S05A00	124250628	124470628	NVCF13-18M	NBG*****	NFG*****	NVSL3-***
NVP1XB0-150H-S05A00	124250628	124470628	NVCF13-18M	NBG*****	NFG*****	NVSL3-***

*Proper selection of vacuum cups depends on the application. Cups are available in various diameters, colors and materials. If you do not see what you are looking for, please consult factory
 *The fittings, cups, and spring levelers listed are a small selection of possible options please refer to the specific catalog section

Dimensions inches (mm)



Model	Units	A	B	C	D	E	F	H	J	K	L	M	N	P	R	T	U	V	W
NVP1XB0-***-S02A00	Imperial	1/4 NPTF	1/8 NPTF	1/4 NPTF	0.12	0.38	0.75	1.49	0.38	2.08	2.75	0.09	2.08	1.78	0.58	3.20	6.18	1.10	0.38
NVP1XB0-***-S05A00	Imperial	1/4 NPTF	1/8 NPTF	1/4 NPTF	0.12	0.38	0.75	1.49	0.38	2.08	2.75	0.09	2.08	1.78	0.58	3.20	4.60	1.10	0.38
NVP1XB0-***-S12A00	Imperial	1/4 NPTF	1/8 NPTF	1/4 NPTF	0.12	0.38	0.75	1.49	0.38	2.08	2.75	0.09	2.08	1.78	0.58	3.20	5.06	1.10	0.38
NVPM1XB0-***-S02A00	(Metric)	(G 1/4)	(G 1/8)	(G 1/4)	(3.05)	(9.65)	(19.05)	(37.82)	(9.53)	(52.83)	(69.85)	(2.29)	(52.83)	(45.21)	(14.73)	(81.28)	(156.97)	(27.94)	(9.53)
NVPM1XB0-***-S05A00	(Metric)	(G 1/4)	(G 1/8)	(G 1/4)	(3.05)	(9.65)	(19.05)	(37.82)	(9.53)	(52.83)	(69.85)	(2.29)	(52.83)	(45.21)	(14.73)	(81.28)	(116.84)	(27.94)	(9.53)
NVPM1XB0-***-S12A00	(Metric)	(G 1/4)	(G 1/8)	(G 1/4)	(3.05)	(9.65)	(19.05)	(37.82)	(9.53)	(52.83)	(69.85)	(2.29)	(52.83)	(45.21)	(14.73)	(81.28)	(128.52)	(27.94)	(9.53)

NVP10M

Multi-Port

- Multi-port version - distribute vacuum to multiple locations
- High Productivity – non-clogging design reduces downtime
- Strong hold – powerful vacuum up to 28"Hg [948mbar]
- Mounts Easily – compact and lightweight
- Fast Response – installs close to vacuum point
- Efficient – minimal air consumption
- Reliable operation – straight-through design with no moving parts

Technical Data

Fluid
Filtered (50 Micron) unlubricated, non-corrosive dry gases

Operating Temperature
-30° to ~250° F (-34° to ~121°C)

Operating Pressure
80 PSI (5.5 bar) Standard or 60 PSI (4.1 bar)

Materials
Generator Body: Anodized Aluminum

Supply / Vacuum Line
1/4" OD for sizes 60 and 90
3/8" OD for sizes 100 and 150

Mounting Holes
Mounting holes accept 4-40 [M3] screws
Control Valve 3 way/2 position (faster part release), minimum orifice – 0.125" [3mm]

Performance Level Designations
"L", "X" 0-10"Hg [0 to 339mbar] for low vacuum/high flow applications
"M", "Y" 0-20"Hg [0 to 677mbar] for medium vacuum/high flow applications
"H", "Z" 0-28"Hg [0 to 948mbar] for high vacuum/standard flow applications

Product options
Standard (NVP10)
Pneumatic blow-off (NVP1X)
Multi-port (NVP10M0)



Standard Models

Part number	Max. Vacuum Level	Max. Vacuum Flow	Air Consumption	Silencer
NVP10M0-90M-S05A00	20"Hg	1.40 SCFM	1.40 SCFM	NST4 Silencer
NVP10M0-90H-S05A00	28"Hg	1.20 SCFM	1.80 SCFM	NST4 Silencer
NVP10M0-100M-S05A00	20"Hg	2.10 SCFM	1.80 SCFM	NST4 Silencer
NVP10M0-100H-S05A00	28"Hg	2.00 SCFM	2.80 SCFM	NST4 Silencer
NVP10M0-150M-S05A00	20"Hg	3.50 SCFM	2.80 SCFM	NST4 Silencer
NVP10M0-150H-S05A00	28"Hg	3.20 SCFM	4.80 SCFM	NST4 Silencer

Accessories

Option selector

NVP★10M0-★★★★-S★★A★★

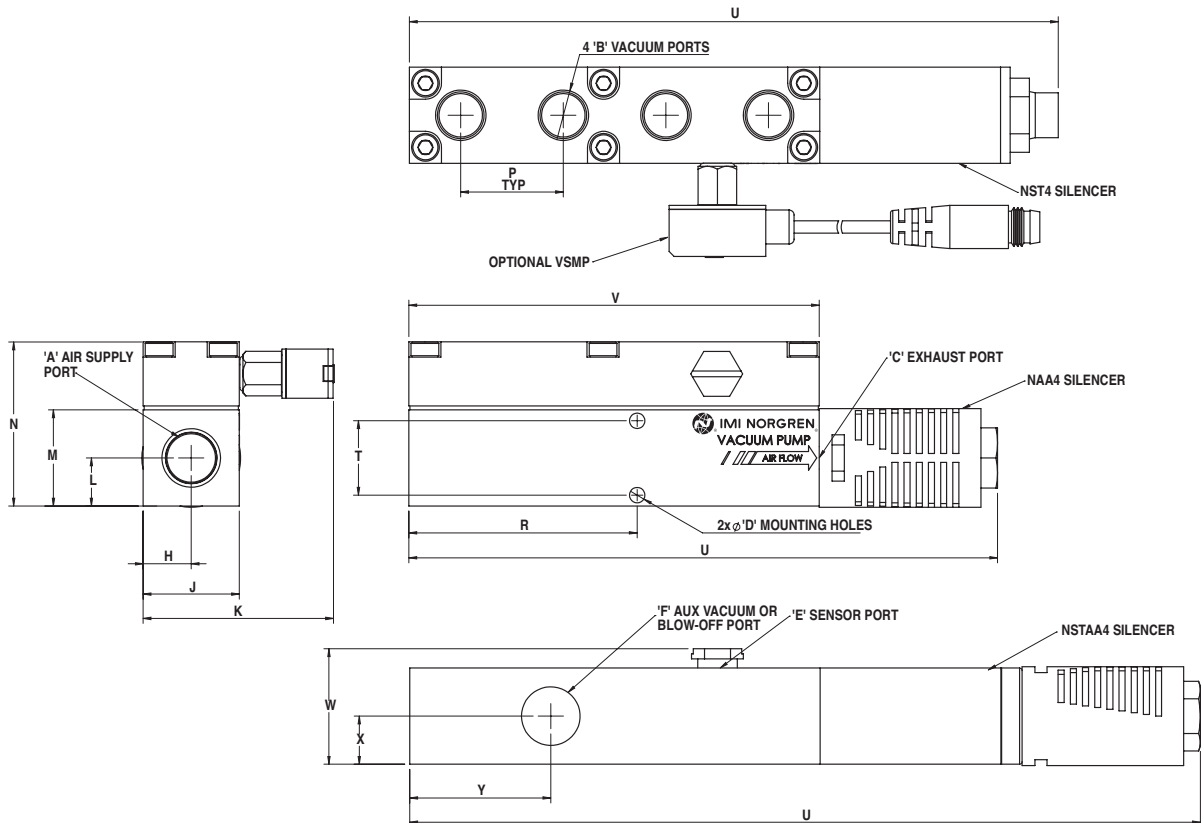
Series	Substitute	Accessories	Substitute
NVP (Imperial Thread)		Extra Port if Available / No Accessories	A00
NVPM (Metric Thread)	M	Extra Port if Available / NVTMV-QD-6	A02
Vacuum Flow Level	Substitute	Extra Port if Available / NVSMN-QD-6	A04
Venturi Cartridge 60	60	Extra Port if Available / NVSMP-QD-6	A06
Venturi Cartridge 90	90		
Venturi Cartridge 100	100	Silencers	Substitute
Venturi Cartridge 150	150	None	S00
Vacuum Level	Substitute	NAA4 (62dB)	S02
10"Hg @ 80PSI (Standard)	L	NST4 (68dB)	S05
20"Hg @ 80PSI (Standard)	M	NSTAA4 (58dB)	S12
28"Hg @ 80PSI (Standard)	H		
10"Hg @ 60PSI	X		
20"Hg @ 60PSI	Y		
28"Hg @ 60PSI	Z		

Accessories

Model	Inline Fitting	Swivel Elbow	Vacuum Fitting
NVP10M0-90M-S05A00	124250428	124470428	124470418
NVP10M0-90H-S05A00	124250428	124470428	124470418
NVP10M0-100M-S05A00	124250628	124470628	124470618
NVP10M0-100H-S05A00	124250628	124470628	124470618
NVP10M0-150M-S05A00	124250628	124470628	124470618
NVP10M0-150H-S05A00	124250628	124470628	124470618

*Proper selection of vacuum cups depends on the application. Cups are available in various diameters, colors and materials. If you do not see what you are looking for, please consult factory
*The fittings, cups, and spring levelers listed are a small selection of possible options please refer to the specific catalog section

Dimensions inches (mm)



Model	Units	A	B	C	D	E	F	H	J	K	L	M	N	P	R	T	U	V	W
NVP10M0-***-S02A00	Imperial	1/4 NPTF	1/8 NPTF	1/4 NPTF	0.13	10-32	1/8 NPTF	0.38	0.75	1.49	0.38	0.75	1.28	0.80	1.78	0.58	4.59	3.20	0.92
NVP10M0-***-S05A00	Imperial	1/4 NPTF	1/8 NPTF	1/4 NPTF	0.13	10-32	1/8 NPTF	0.38	0.75	1.49	0.38	0.75	1.28	0.80	1.78	0.58	5.06	3.20	0.92
NVP10M0-***-S12A00	Imperial	1/4 NPTF	1/8 NPTF	1/4 NPTF	0.13	10-32	1/8 NPTF	0.38	0.75	1.49	0.38	0.75	1.28	0.80	1.78	0.58	6.17	3.20	0.92
NVPM10M0-***-S02A00	(Metric)	(G 1/4)	(G 1/8)	(G 1/4)	(3.30)	M5	(G 1/8)	(9.65)	(19.05)	(37.73)	(9.53)	(19.05)	(32.49)	(20.32)	(45.21)	(14.73)	(116.60)	(9.70)	(23.24)
NVPM10M0-***-S05A00	(Metric)	(G 1/4)	(G 1/8)	(G 1/4)	(3.30)	M5	(G 1/8)	(9.65)	(19.05)	(37.73)	(9.53)	(19.05)	(32.49)	(20.32)	(45.21)	(14.73)	(128.50)	(9.70)	(23.24)
NVPM10M0-***-S12A00	(Metric)	(G 1/4)	(G 1/8)	(G 1/4)	(3.30)	M5	(G 1/8)	(9.65)	(19.05)	(37.73)	(9.53)	(19.05)	(32.49)	(20.32)	(45.21)	(14.73)	(156.59)	(9.70)	(23.24)

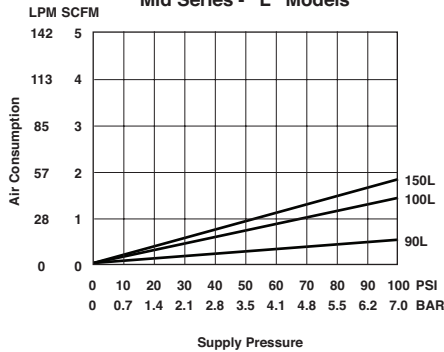
● Performance Data

Model	Air Consumption SCFM (L/min)	Vacuum Level "Hg (mbar)	0"Hg (0)	3"Hg (102)	6"Hg (203)	9"Hg (305)	10"Hg (339)	12"Hg (406)	15"Hg (508)	18"Hg (609)	20"Hg (677)	21"Hg (711)	24"Hg (813)	27"Hg (914)	28"Hg (948)
90L	0.50 (14.2)	Vacuum Flow SCFM (L/min)	1.30 (36.80)	1.10 (31.10)	0.70 (19.80)	0.20 (5.70)	0.00 (0.00)	- (-)	- (-)	- (-)	- (-)	- (-)	- (-)	- (-)	- (-)
		Evacuation time (seconds)	0.00 (0.00)	3.26 (0.10)	7.93 (0.30)	18.65 (0.70)	39.63 (1.40)	- (-)	- (-)	- (-)	- (-)	- (-)	- (-)	- (-)	- (-)
100L	1.40 (39.6)	Vacuum Flow SCFM (L/min)	2.10 (59.50)	1.60 (45.30)	1.10 (31.10)	0.50 (14.20)	0.00 (0.00)	- (-)	- (-)	- (-)	- (-)	- (-)	- (-)	- (-)	- (-)
		Evacuation time (seconds)	0.00 (0.00)	2.33 (0.10)	4.66 (0.20)	10.88 (0.40)	24.00 (0.90)	- (-)	- (-)	- (-)	- (-)	- (-)	- (-)	- (-)	- (-)
150L	1.80 (51)	Vacuum Flow SCFM (L/min)	3.50 (99.10)	2.50 (70.80)	1.90 (53.80)	0.70 (19.80)	0.00 (0.00)	- (-)	- (-)	- (-)	- (-)	- (-)	- (-)	- (-)	- (-)
		Evacuation time (seconds)	0.00 (0.00)	1.54 (0.10)	4.36 (0.20)	10.77 (0.40)	22.83 (0.80)	- (-)	- (-)	- (-)	- (-)	- (-)	- (-)	- (-)	- (-)
60M	0.50 (14.2)	Vacuum Flow SCFM (L/min)	0.50 (14.20)	0.40 (11.30)	0.30 (8.50)	0.22 (6.20)	- (-)	0.15 (4.20)	0.08 (2.30)	0.03 (0.80)	0.00 (0.00)	- (-)	- (-)	- (-)	- (-)
		Evacuation time (seconds)	0.00 (0.00)	12.50 (0.40)	25.10 (0.90)	43.90 (1.60)	- (-)	68.60 (2.40)	99.30 (3.50)	153.70 (5.40)	227.00 (8.00)	- (-)	- (-)	- (-)	- (-)
90M	1.40 (39.6)	Vacuum Flow SCFM (L/min)	1.40 (39.60)	1.25 (35.40)	1.20 (34.00)	1.05 (29.70)	- (-)	0.85 (24.10)	0.65 (18.40)	0.25 (7.10)	0.00 (0.00)	- (-)	- (-)	- (-)	- (-)
		Evacuation time (seconds)	0.00 (0.00)	3.75 (0.10)	7.20 (0.30)	12.40 (0.40)	- (-)	19.10 (0.70)	29.90 (1.10)	52.00 (1.80)	104.00 (3.70)	- (-)	- (-)	- (-)	- (-)
100M	1.80 (51)	Vacuum Flow SCFM (L/min)	2.10 (59.50)	2.00 (56.60)	1.85 (52.40)	1.75 (49.60)	- (-)	1.60 (45.30)	1.25 (35.40)	0.80 (22.70)	0.00 (0.00)	- (-)	- (-)	- (-)	- (-)
		Evacuation time (seconds)	0.00 (0.00)	2.65 (0.10)	5.80 (0.20)	9.90 (0.30)	- (-)	16.20 (0.60)	22.90 (0.80)	36.20 (1.30)	56.60 (2.00)	- (-)	- (-)	- (-)	- (-)
150M	2.80 (79.3)	Vacuum Flow SCFM (L/min)	3.50 (99.10)	3.20 (90.60)	2.95 (83.50)	2.75 (77.90)	- (-)	2.50 (70.80)	1.80 (51.00)	0.95 (26.90)	0.00 (0.00)	- (-)	- (-)	- (-)	- (-)
		Evacuation time (seconds)	0.00 (0.00)	1.35 (0.00)	3.20 (0.10)	5.20 (0.20)	- (-)	7.70 (0.30)	11.80 (0.40)	23.40 (0.80)	52.00 (1.80)	- (-)	- (-)	- (-)	- (-)
60H	0.80 (22.7)	Vacuum Flow SCFM (L/min)	0.50 (14.20)	0.38 (10.80)	0.32 (9.10)	0.30 (8.50)	- (-)	0.27 (7.60)	0.23 (6.50)	0.20 (5.70)	- (-)	0.13 (3.70)	0.05 (1.40)	0.02 (0.60)	0.00 (0.00)
		Evacuation time (seconds)	0.00 (0.00)	15.00 (0.50)	29.80 (1.10)	50.60 (1.80)	- (-)	74.50 (2.60)	102.80 (3.60)	135.90 (4.80)	- (-)	183.20 (6.50)	245.90 (8.70)	410.20 (14.50)	790.80 (27.90)
90H	1.80 (51)	Vacuum Flow SCFM (L/min)	1.20 (34.00)	1.00 (28.30)	0.95 (26.90)	0.90 (25.50)	- (-)	0.85 (24.10)	0.75 (21.20)	0.70 (19.80)	- (-)	0.52 (14.70)	0.47 (13.30)	0.20 (5.70)	0.00 (0.00)
		Evacuation time (seconds)	0.00 (0.00)	6.50 (0.20)	12.30 (0.40)	18.90 (0.70)	- (-)	32.50 (1.10)	47.00 (1.70)	65.40 (2.30)	- (-)	92.20 (3.30)	130.00 (4.60)	222.20 (7.80)	281.30 (9.90)
100H	2.80 (79.3)	Vacuum Flow SCFM (L/min)	2.00 (56.60)	1.85 (52.40)	1.75 (49.60)	1.57 (44.50)	- (-)	1.40 (39.60)	1.25 (35.40)	1.05 (29.70)	- (-)	0.84 (23.80)	0.70 (19.80)	0.35 (9.90)	0.00 (0.00)
		Evacuation time (seconds)	0.00 (0.00)	2.70 (0.10)	6.50 (0.20)	11.20 (0.40)	- (-)	17.50 (0.60)	25.80 (0.90)	38.40 (1.40)	- (-)	55.20 (1.90)	79.20 (2.80)	166.70 (5.90)	251.80 (8.90)
150H	4.80 (135.9)	Vacuum Flow SCFM (L/min)	3.20 (90.60)	2.80 (79.30)	2.50 (70.80)	2.30 (65.10)	- (-)	2.00 (56.60)	1.60 (45.30)	1.40 (39.60)	- (-)	1.20 (34.00)	0.80 (22.70)	0.50 (14.20)	0.00 (0.00)
		Evacuation time (seconds)	0.00 (0.00)	2.30 (0.10)	3.80 (0.10)	6.50 (0.20)	- (-)	10.20 (0.40)	14.20 (0.50)	21.30 (0.80)	- (-)	44.90 (1.60)	55.00 (1.90)	81.00 (2.90)	125.00 (4.40)

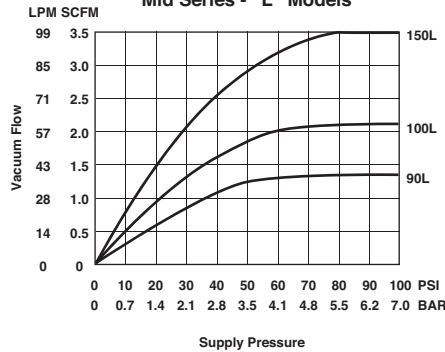
Evacuation time in seconds based on 1 cubic foot volume / "Hg (1 Liter Volume / mbar)

● Performance Data

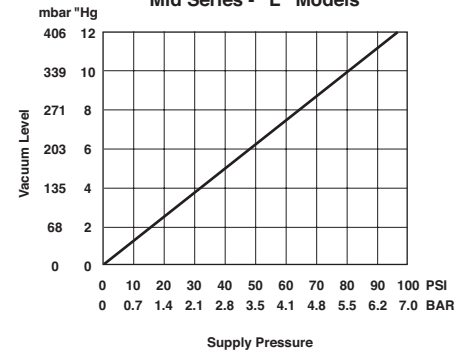
Air Consumption vs Supply Pressure
Mid Series - "L" Models



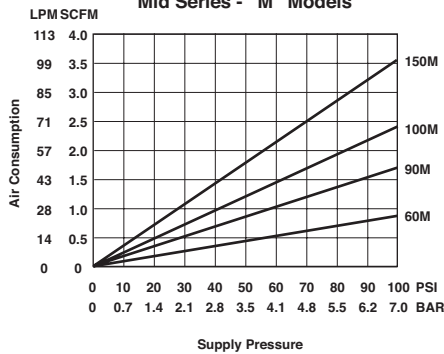
Vacuum Flow vs Supply Pressure
Mid Series - "L" Models



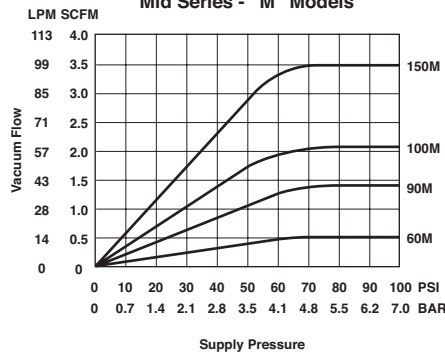
Static Vacuum vs Supply Pressure
Mid Series - "L" Models



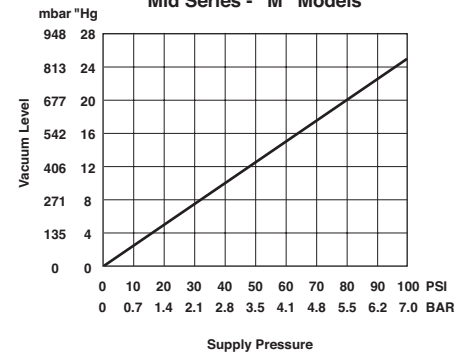
Air Consumption vs Supply Pressure
Mid Series - "M" Models



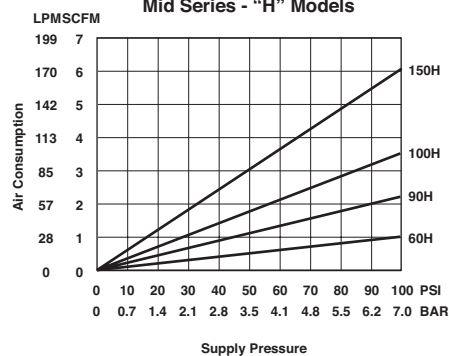
Vacuum Flow vs Supply Pressure
Mid Series - "M" Models



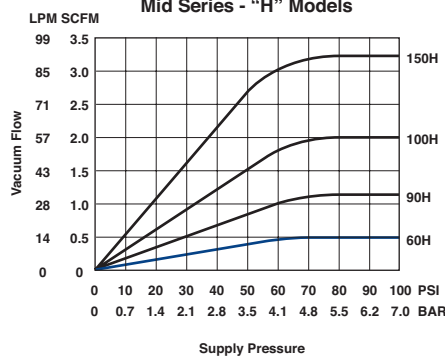
Static Vacuum vs Supply Pressure
Mid Series - "M" Models



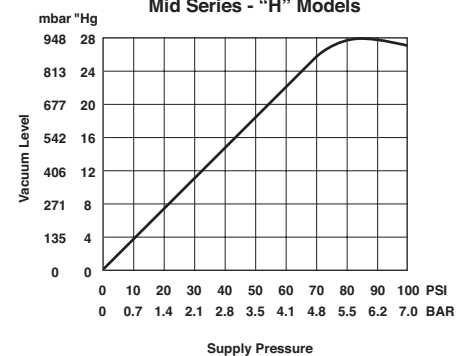
Air Consumption vs Supply Pressure
Mid Series - "H" Models



Vacuum Flow vs Supply Pressure
Mid Series - "H" Models



Static Vacuum vs Supply Pressure
Mid Series - "H" Models



Notes: Standard operating pressure for IMI Norgren generators is 80 PSI [5.5 bar]. Generators can be factory modified to run at other operating pressures i.e. 60 PSI [4.1 bar] etc. The values shown in the performance chart will remain the same for all operating pressures.

Warnings

Improper selection, misuse, age or malfunction of components used in systems can cause failure in various modes. The system designer is warned to consider the failure modes of all component parts and to provide adequate safeguards to prevent personal injury or damage to equipment or property in the event of such failure modes. System designers and end users are cautioned to consult instruction sheets and specifications available from the factory. The system designer/end user is responsible for verifying that all requirements for the application are met.

Warranty

The products described herein are warranted subject to seller's Standard Terms and Condition of Sale, available at seller's website.

NVP20

- High Productivity – non-clogging design reduces downtime
- Strong hold – powerful vacuum up to 28"Hg [948mbar]
- Mounts Easily – compact and lightweight
- Fast Response – installs close to vacuum point
- Efficient – minimal air consumption
- Reliable operation – straight-through design with no moving parts

Technical Data

Fluid:
Filtered (50 Micron) unlubricated, non-corrosive dry gases

Operating Temperature
-30° to ~250° F (-34° to ~121°C)

Operating Pressure
80 PSI (5.5 bar) Standard or 60 PSI (4.1 bar)

Materials
Generator Body: Anodized Aluminum

Supply/Vacuum Line
1/4" OD for sizes 60 and 90
3/8" OD for sizes 100 and 150

Mounting Holes
Mounting holes accept 10-32[M5] screws

Control Valve
3 way/2 position (faster part release), minimum orifice – 0.125" [3mm]

Performance Level Designations
"L", "X" 0-10"Hg [0 to 339mbar] for low vacuum/high flow applications
"M", "Y" 0-20"Hg [0 to 677mbar] for medium vacuum/high flow applications
"H", "Z" 0-28"Hg [0 to 948mbar] for high vacuum/standard flow applications

Product options
Standard (NVP20)
Pneumatic blow-off (NVP2X)
Valve controlled blow-off (NVP20V)
Multi-port (NVP20M0)
Air Saver (NVP20C0)



Standard Models

Part number	Max. Vacuum Level	Max. Vacuum Flow	Air Consumption	Silencer
NVP20-90M-S05A00	20"Hg	1.40 SCFM	1.40 SCFM	NST4 Silencer
NVP20-90H-S05A00	28"Hg	1.20 SCFM	1.80 SCFM	NST4 Silencer
NVP20-100M-S05A00	20"Hg	2.10 SCFM	1.80 SCFM	NST4 Silencer
NVP20-100H-S05A00	28"Hg	2.00 SCFM	2.80 SCFM	NST4 Silencer
NVP20-150M-S05A00	20"Hg	3.50 SCFM	2.80 SCFM	NST4 Silencer
NVP20-150H-S05A00	28"Hg	3.20 SCFM	4.80 SCFM	NST4 Silencer

Accessories

Option selector

NVP★20-★★★★-S★★A★★

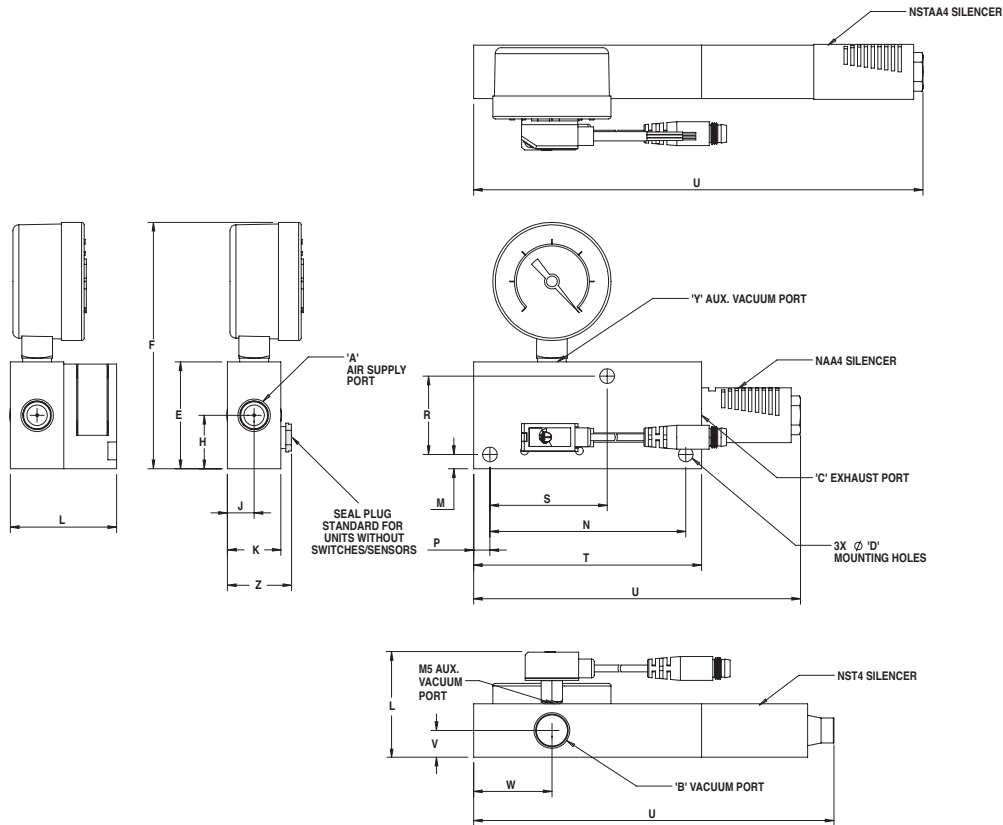
Series	Substitute	Accessories	Substitute
NVP (Imperial Thread)		Extra Ports / No Accessories	A00
NVPM (Metric Thread)	M	Extra Ports / NVG-150-GF	A38
Vacuum Flow Level	Substitute	Extra Ports / NVTMV-QD-6 / NVG-150-GF	A22
Venturi Cartridge 60	60	Extra Ports / NVSMN-QD-6 / NVG-150-GF	A24
Venturi Cartridge 90	90	Extra Ports / NVSMP-QD-6 / NVG-150-GF	A26
Venturi Cartridge 100	100	Silencers	Substitute
Venturi Cartridge 150	150	None	S00
Vacuum Level	Substitute	NAA4 (62dB)	S02
10"Hg @ 80PSI (Standard)	L	NST4 (68dB)	S05
20"Hg @ 80PSI (Standard)	M	NSTAA4 (58dB)	S12
28"Hg @ 80PSI (Standard)	H		
10"Hg @ 60PSI	X		
20"Hg @ 60PSI	Y		
28"Hg @ 60PSI	Z		

● Accessories

Model	Inline Fitting	Swivel Elbow	Vacuum Fitting	Bellows Cup	Flat Cup	Spring Leveler
NVP20-90M-S05A00	124250428	124470428	NVCF45-14M	NBG*****	NFG*****	NVSL3-***
NVP20-90H-S05A00	124250428	124470428	NVCF45-14M	NBG*****	NFG*****	NVSL3-***
NVP20-100M-S05A00	124250628	124470628	NVCF45-14M	NBG*****	NFG*****	NVSL3-***
NVP20-100H-S05A00	124250628	124470628	NVCF45-14M	NBG*****	NFG*****	NVSL3-***
NVP20-150M-S05A00	124250628	124470628	NVCF45-14M	NBG*****	NFG*****	NVSL3-***
NVP20-150H-S05A00	124250628	124470628	NVCF45-14M	NBG*****	NFG*****	NVSL3-***

*Proper selection of vacuum cups depends on the application. Cups are available in various durometers, colors and materials. If you do not see what you are looking for, please consult factory
 *The fittings, cups, and spring levelers listed are a small selection of possible options please refer to the specific catalog section

● Dimensions inches (mm)



Model	Units	A	B	C	D	E	F	H	J	K	L	M	N	P	R	S	T	U	V	W	Y	Z
NVP20-****-S02A0*	Imperial	1/4 NPTF	1/4 NPTF	1/4 NPTF	0.21	1.50	3.46	0.75	0.38	0.75	N/A	0.20	2.75	0.23	1.10	1.65	3.20	4.59	0.38	1.10	1/8 NPTF	0.92
NVP20-****-S05A0*	Imperial	1/4 NPTF	1/4 NPTF	1/4 NPTF	0.21	1.50	3.46	0.75	0.38	0.75	N/A	0.20	2.75	0.23	1.10	1.65	3.20	5.06	0.38	1.10	1/8 NPTF	0.92
NVP20-****-S12A0*	Imperial	1/4 NPTF	1/4 NPTF	1/4 NPTF	0.21	1.50	3.46	0.75	0.38	0.75	N/A	0.20	2.75	0.23	1.10	1.65	3.20	6.31	0.38	1.10	1/8 NPTF	0.92
NVP20-****-S**A0*	Imperial	1/4 NPTF	1/4 NPTF	1/4 NPTF	0.21	1.50	3.46	0.75	0.38	0.75	1.49	0.20	2.75	0.23	1.10	1.65	3.20	N/A	0.38	1.10	1/8 NPTF	N/A
NVPM20-****-S02A0*	(Metric)	(G 1/4)	(G 1/4)	(G 1/4)	(5.33)	(38.1)	(87.88)	(19.05)	(9.53)	(19.05)	N/A	(5.08)	(69.85)	(5.84)	(27.94)	(41.91)	(81.82)	(116.59)	(9.53)	(27.94)	(G 1/8)	(23.24)
NVPM20-****-S05A0*	(Metric)	(G 1/4)	(G 1/4)	(G 1/4)	(5.33)	(38.1)	(87.88)	(19.05)	(9.53)	(19.05)	N/A	(5.08)	(69.85)	(5.84)	(27.94)	(41.91)	(81.82)	(128.52)	(9.53)	(27.94)	(G 1/8)	(23.24)
NVPM20-****-S12A0*	(Metric)	(G 1/4)	(G 1/4)	(G 1/4)	(5.33)	(38.1)	(87.88)	(19.05)	(9.53)	(19.05)	N/A	(5.08)	(69.85)	(5.84)	(27.94)	(41.91)	(81.82)	(160.27)	(9.53)	(27.94)	(G 1/8)	(23.24)
NVPM20-****-S**A0*	(Metric)	(G 1/4)	(G 1/4)	(G 1/4)	(5.33)	(38.1)	(87.88)	(19.05)	(9.53)	(19.05)	(37.85)	(5.08)	(69.85)	(5.84)	(27.94)	(41.91)	(81.82)	N/A	(9.53)	(27.94)	(G 1/8)	N/A

NVP20V

- High Productivity – non-clogging design reduces downtime
- Strong hold – powerful vacuum up to 28"Hg [948mbar]
- Mounts Easily – compact and lightweight
- Fast Response – installs close to vacuum point
- Efficient – minimal air consumption
- Reliable operation – straight-through design with no moving parts

Technical Data

Fluid:
Filtered (50 Micron) unlubricated, non-corrosive dry gases

Operating Temperature
-30° to ~250° F (-34° to ~121°C)
-20° to ~120° F (-7° to ~49°C) (Valve)

Operating Pressure
80 PSI (5.5 bar) Standard or 60 PSI (4.1 bar)

Materials
Generator Body: Anodized Aluminum

Supply/Vacuum Line
1/4" OD for sizes 60 and 90
3/8" OD for sizes 100 and 150

Mounting Holes
Mounting holes accept 10-32[M5] screws

Electrical
24V - 5% to 10% (VA/VD, VB/VE option)
12V - 5% to 10% (VA/VD, VB/VE option)

Power Consumption
1.6 watts

Response Times
8 milliseconds

Cycle Rate (cycles/second)
45 cycles/second

Electrical Connection
11.8" Flying Leads

LED Indicator with Manual Override
Yes

Control Valve
12V (VC/VF option) or 24V normally closed (VA/VD option) or 24V normally open (VB/VE option)

Performance Level Designations
"L", "X" 0-10"Hg [0 to 339mbar] for low vacuum/high flow applications
"M", "Y" 0-20"Hg [0 to 677mbar] for medium vacuum/high flow applications
"H", "Z" 0-28"Hg [0 to 948mbar] for high vacuum/standard flow applications

Product options
Standard (NVP20)
Pneumatic blow-off (NVP2X)
Valve controlled blow off (NVP20V)
Multi-port (NVP20M)
Air Saver (NVP20C)



Standard Models

Part number	Valve	Max. Vacuum Level	Max. Vacuum Flow	Air Consumption	Silencer	Blow Off
NVP20VA-90M-S05A00	NC 24V	20"Hg	1.40 SCFM	1.40 SCFM	NST4 Silencer	None
NVP20VA-90H-S05A00	NC 24V	28"Hg	1.20 SCFM	1.80 SCFM	NST4 Silencer	None
NVP20VA-100M-S05A00	NC 24V	20"Hg	2.10 SCFM	1.80 SCFM	NST4 Silencer	None
NVP20VA-100H-S05A00	NC 24V	28"Hg	2.00 SCFM	2.80 SCFM	NST4 Silencer	None
NVP20VA-150M-S05A00	NC 24V	20"Hg	3.50 SCFM	2.80 SCFM	NST4 Silencer	None
NVP20VA-150H-S05A00	NC 24V	28"Hg	3.20 SCFM	4.80 SCFM	NST4 Silencer	None
NVP20VD-90M-S05A00	NC 24V	20"Hg	1.40 SCFM	1.40 SCFM	NST4 Silencer	Valve Controlled
NVP20VD-90H-S05A00	NC 24V	28"Hg	1.20 SCFM	1.80 SCFM	NST4 Silencer	Valve Controlled
NVP20VD-100M-S05A00	NC 24V	20"Hg	2.10 SCFM	1.80 SCFM	NST4 Silencer	Valve Controlled
NVP20VD-100H-S05A00	NC 24V	28"Hg	2.00 SCFM	2.80 SCFM	NST4 Silencer	Valve Controlled
NVP20VD-150M-S05A00	NC 24V	20"Hg	3.50 SCFM	2.80 SCFM	NST4 Silencer	Valve Controlled
NVP20VD-150H-S05A00	NC 24V	28"Hg	3.20 SCFM	4.80 SCFM	NST4 Silencer	Valve Controlled

Accessories

Option selector

NVP20★★-★★★-S★★A★★

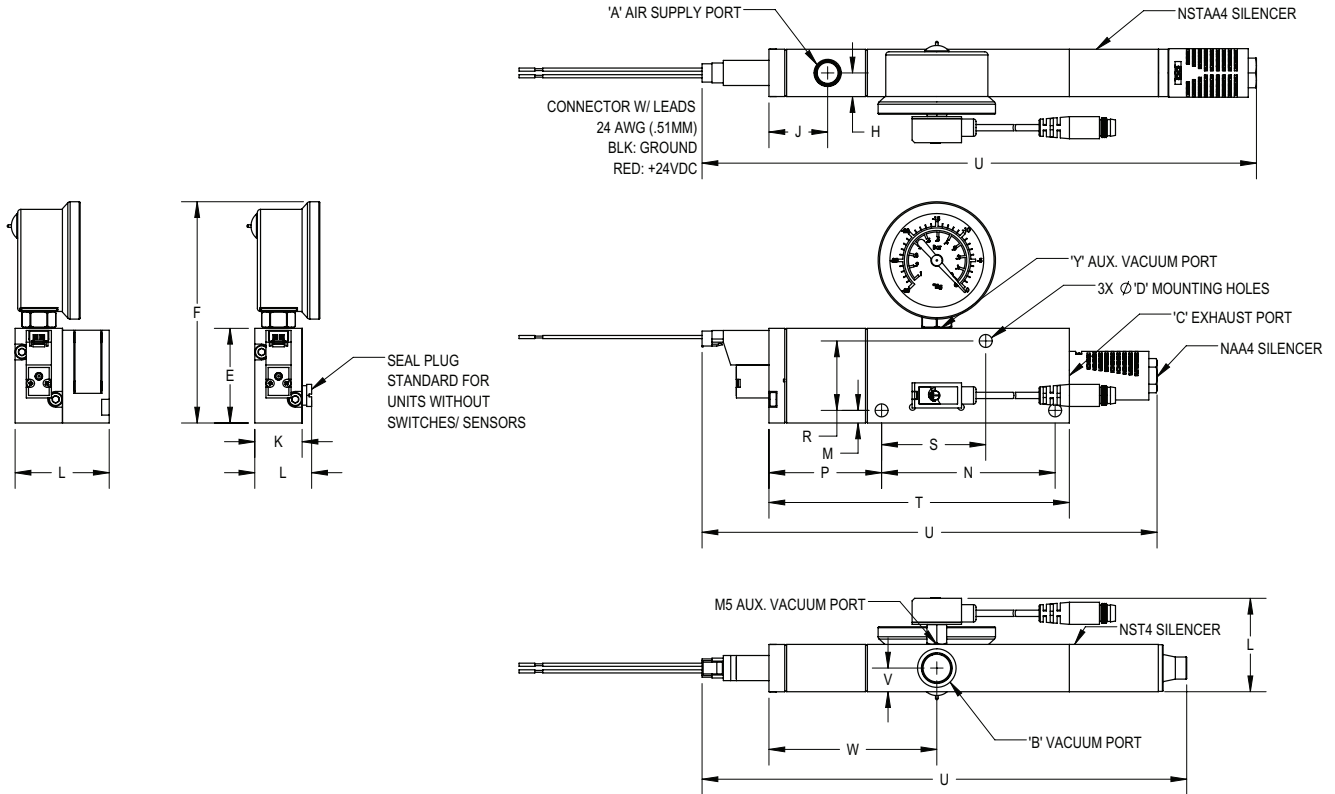
Series	Substitute	Accessories	Substitute
NVP20 (Imperial Thread)		Extra Ports / No Accessories	A00
NVPM20 (Metric Thread)	M	Extra Ports / NTMV-QD-6	A02
		Extra Ports / NSMN-QD-6	A04
		Extra Ports / NSMP-QD-6	A06
Valve	Substitute	Silencers	Substitute
NC 24V Vacuum	VA	None	S00
NO 24V Vacuum	VB	NAA4 (62dB)	S02
NC 12V Vacuum	VC	NST4 (68dB)	S05
NC 24V Vacuum, NC 24V Blow Off	VD	NSTAA4 (58dB)	S12
NO 24V Vacuum, NC 24V Blow Off	VE		
NC 12V Vacuum, NC 12V Blow Off	VF		
Vacuum Flow Level	Substitute	Vacuum Level	Substitute
Venturi Cartridge 60	60	10"Hg @ 80PSI (Standard)	L
Venturi Cartridge 90	90	20"Hg @ 80PSI (Standard)	M
Venturi Cartridge 100	100	28"Hg @ 80PSI (Standard)	H
Venturi Cartridge 150	150	10"Hg @ 60PSI	X
		20"Hg @ 60PSI	Y
		28"Hg @ 60PSI	Z

● Accessories

Model	Inline Fitting	Swivel Elbow	Vacuum Fitting	Bellows Cup	Flat Cup	Spring Leveler
NVP20-90M-S05A00	124250428	124470428	NVCF45-14M	NBG*****	NFG*****	NVSL3-***
NVP20-90H-S05A00	124250428	124470428	NVCF45-14M	NBG*****	NFG*****	NVSL3-***
NVP20-100M-S05A00	124250628	124470628	NVCF45-14M	NBG*****	NFG*****	NVSL3-***
NVP20-100H-S05A00	124250628	124470628	NVCF45-14M	NBG*****	NFG*****	NVSL3-***
NVP20-150M-S05A00	124250628	124470628	NVCF45-14M	NBG*****	NFG*****	NVSL3-***
NVP20-150H-S05A00	124250628	124470628	NVCF45-14M	NBG*****	NFG*****	NVSL3-***

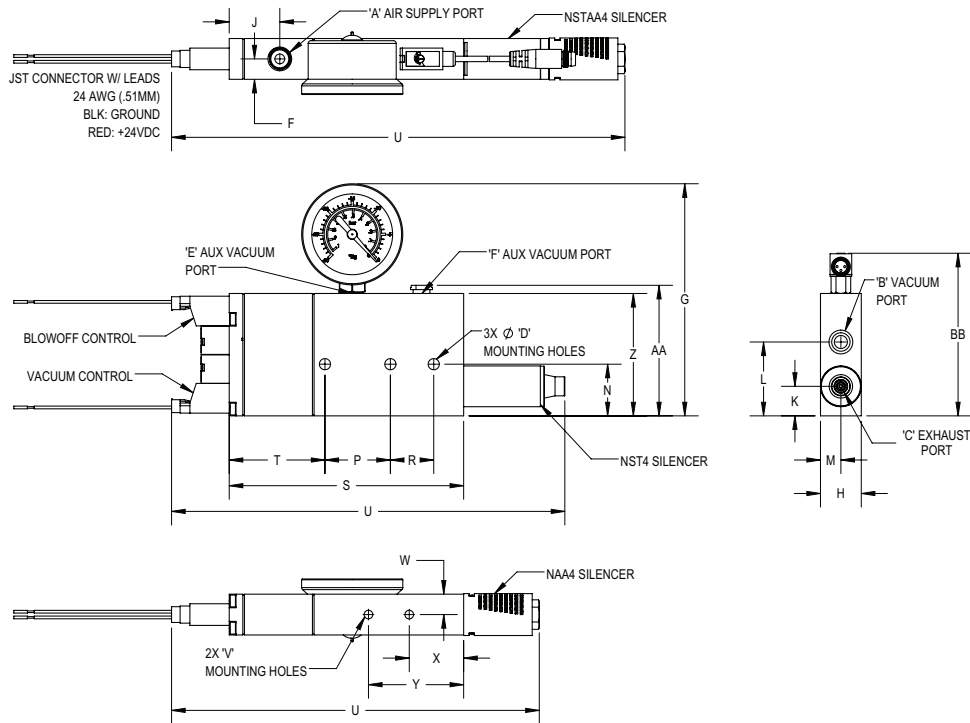
*Proper selection of vacuum cups depends on the application. Cups are available in various durometers, colors and materials. If you do not see what you are looking for, please consult factory
 *The fittings, cups, and spring levelers listed are a small selection of possible options please refer to the specific catalog section

● Dimensions inches (mm)



Model	Units	A	B	C	D	E	F	H	J	K	L	M	N	P	R	S	T	U	V	W	Y
NVP20-****-S02A0*	Imperial	1/8 NPTF	1/4 NPTF	1/4 NPTF	0.20	1.50	3.51	0.38	0.93	0.75	0.90	0.20	2.75	1.79	1.10	1.65	4.76	7.21	0.38	2.66	1/8 NPTF
NVP20-****-S05A0*	Imperial	1/8 NPTF	1/4 NPTF	1/4 NPTF	0.20	1.50	3.51	0.38	0.93	0.75	0.90	0.20	2.75	1.79	1.10	1.65	4.76	7.68	0.38	2.66	1/8 NPTF
NVP20-****-S12A0*	Imperial	1/8 NPTF	1/4 NPTF	1/4 NPTF	0.20	1.50	3.51	0.38	0.93	0.75	0.90	0.20	2.75	1.79	1.10	1.65	4.76	8.79	0.38	2.66	1/8 NPTF
NVP20-****-S**A0*	Imperial	1/8 NPTF	1/4 NPTF	1/4 NPTF	0.20	1.50	3.51	0.38	0.93	0.75	1.49	0.20	2.75	1.79	1.10	1.65	4.76	N/A	0.38	2.66	1/8 NPTF
NVPM20-****-S02A0*	(Metric)	(G 1/8)	(G 1/4)	(G 1/4)	(5.1)	(38.1)	(89.2)	(9.7)	(23.6)	(19.05)	22.9	(5.08)	(69.85)	(45.5)	(27.94)	(41.91)	(120.90)	(183.1)	(9.7)	(67.6)	(G 1/8)
NVPM20-****-S05A0*	(Metric)	(G 1/8)	(G 1/4)	(G 1/4)	(5.1)	(38.1)	(89.2)	(9.7)	(23.6)	(19.05)	22.9	(5.08)	(69.85)	(45.5)	(27.94)	(41.91)	(120.90)	(195.1)	(9.7)	(67.6)	(G 1/8)
NVPM20-****-S12A0*	(Metric)	(G 1/8)	(G 1/4)	(G 1/4)	(5.1)	(38.1)	(89.2)	(9.7)	(23.6)	(19.05)	22.9	(5.08)	(69.85)	(45.5)	(27.94)	(41.91)	(120.90)	(223.3)	(9.7)	(67.6)	(G 1/8)
NVPM20-****-S**A0*	(Metric)	(G 1/8)	(G 1/4)	(G 1/4)	(5.1)	(38.1)	(89.2)	(9.7)	(23.6)	(19.05)	(37.85)	(5.08)	(69.85)	(45.5)	(27.94)	(41.91)	(120.90)	N/A	(9.7)	(67.6)	(G 1/8)

● Dimensions inches (mm)



Models	Units	A	B	C	D	E	F	G	H	J	K	L	M	N	P	R	S	T	U	V	W	X	Y	Z	AA	BB
NVP20V*-***-S00A38	Imperial	1/8	1/4	1/4	0.21	1/8	0.38	4.27	0.75	0.93	0.54	1.36	0.38	0.95	1.20	0.80	4.31	1.76	6.76	10-32	0.38	1.00	1.75	2.25	2.40	N/A
		NPTF	NPTF	NPTF		NPTF																				
NVP20V*-***-S02A38	Imperial	1/8	1/4	1/4	0.21	1/8	0.38	4.27	0.75	0.93	0.54	1.36	0.38	0.95	1.20	0.80	4.31	1.76	7.23	10-32	0.38	1.00	1.75	2.25	2.40	N/A
		NPTF	NPTF	NPTF		NPTF																				
NVP20V*-***-S05A38	Imperial	1/8	1/4	1/4	0.21	1/8	0.38	4.27	0.75	0.93	0.54	1.36	0.38	0.95	1.20	0.80	4.31	1.76	8.34	10-32	0.38	1.00	1.75	2.25	N/A	3.00
		NPTF	NPTF	NPTF		NPTF																				
NVP20V*-***-S12A38	Imperial	1/8	1/4	1/4	0.21	1/8	0.38	4.27	0.75	0.93	0.54	1.36	0.38	0.95	1.20	0.80	4.31	1.76	N/A	10-32	0.38	1.00	1.75	2.25	N/A	3.00
		NPTF	NPTF	NPTF		NPTF																				
NVPM20V*-***-S00A38	(Metric)	(G	(G	(G	(5.3	(G	(9.7)	(108.5)	(19.0)	(23.6)	(13.7)	(34.5)	(47.6)	(24.1)	(30.5)	(20.3)	(109.5)	(44.7)	(171.7)	(M5)	(9.7)	(25.4)	(44.4)	(57.1)	(61.0)	N/A
		1/8)	1/4)	1/4)		1/8)																				
NVPM20V*-***-S02A38	(Metric)	(G	(G	(G	(5.3)	(G	(9.7)	(108.5)	(19.0)	(23.6)	(13.7)	(34.5)	(47.6)	(24.1)	(30.5)	(20.3)	(109.5)	(44.7)	(183.6)	(M5)	(9.7)	(25.4)	(44.4)	(57.1)	(61.0)	N/A
		1/8)	1/4)	1/4)		1/8)																				
NVPM20V*-***-S05A38	(Metric)	(G	(G	(G	(5.3)	(G	(9.7)	(108.5)	(19.0)	(23.6)	(13.7)	(34.5)	(47.6)	(24.1)	(30.5)	(20.3)	(109.5)	(44.7)	(211.8)	(M5)	(9.7)	(25.4)	(44.4)	(57.1)	N/A	(76.2)
		1/8)	1/4)	1/4)		1/8)																				
NVPM20V*-***-S12A38	(Metric)	(G	(G	(G	(5.3)	(G	(9.7)	(108.5)	(19.0)	(23.6)	(13.7)	(34.5)	(47.6)	(24.1)	(30.5)	(20.3)	(109.5)	(44.7)	N/A	(M5)	(9.7)	(25.4)	(44.4)	(57.1)	N/A	(76.2)
		1/8)	1/4)	1/4)		1/8)																				

NVP2X

Pneumatic Blow-off

- All in one vacuum and blow-off - only compressed air required
- High Productivity – non-clogging design reduces downtime
- Strong hold – powerful vacuum up to 28"Hg [948mbar]
- Mounts Easily – compact and lightweight
- Fast Response – installs close to vacuum point
- Efficient – minimal air consumption
- Reliable operation – straight-through design with no moving parts

Technical Data

Fluid:
Filtered (50 Micron) unlubricated, non-corrosive dry gases

Operating Temperature
32° to ~125° F (0° to ~52°C)
20° to ~120° F (-7° to ~49°C) (Valve)

Operating Pressure
80 PSI (5.5 bar) Standard or 60 PSI (4.1 bar)

Materials
Generator Body: Anodized Aluminum

Generator Options
B1 adjustable version allows the user to set the intensity of the blow-off from no blow-off to full blow-off

Cycle Rates
45 cycles/sec., Up to 120/min

Blow-off Response Time
Instantaneous

Blow-off Duration
100 milliseconds (based on system design)

Orientation
Any

Electrical
24V - 5% to 10% (VA/VD,VB/VE option)
12V - 5% to 10% (VC/VF option)

Power Consumption
1.6 watts

Reponse Times
8 milliseconds

Average Valve Life
50 million cycles

Electrical Connection
11.8" Flying Lead

LED Indicator with Manual Override
Yes

Supply/Vacuum Line
1/4" OD for sizes 60 and 90
3/8" OD for sizes 100 and 150

Mounting Holes
Mounting holes accept 10-32 [M5] screws

Control Valve
12V (VC/VF option) or 24V normally closed (VA/VD option) or 24V normally open (VB/VE option)



Performance Level Designations
"L", "X" 0-10"Hg [0 to 339mbar] for low vacuum/high flow applications
"M", "Y" 0-20"Hg [0 to 677mbar] for medium vacuum/high flow applications
"H", "Z" 0-28"Hg [0 to 948mbar] for high vacuum/standard flow applications

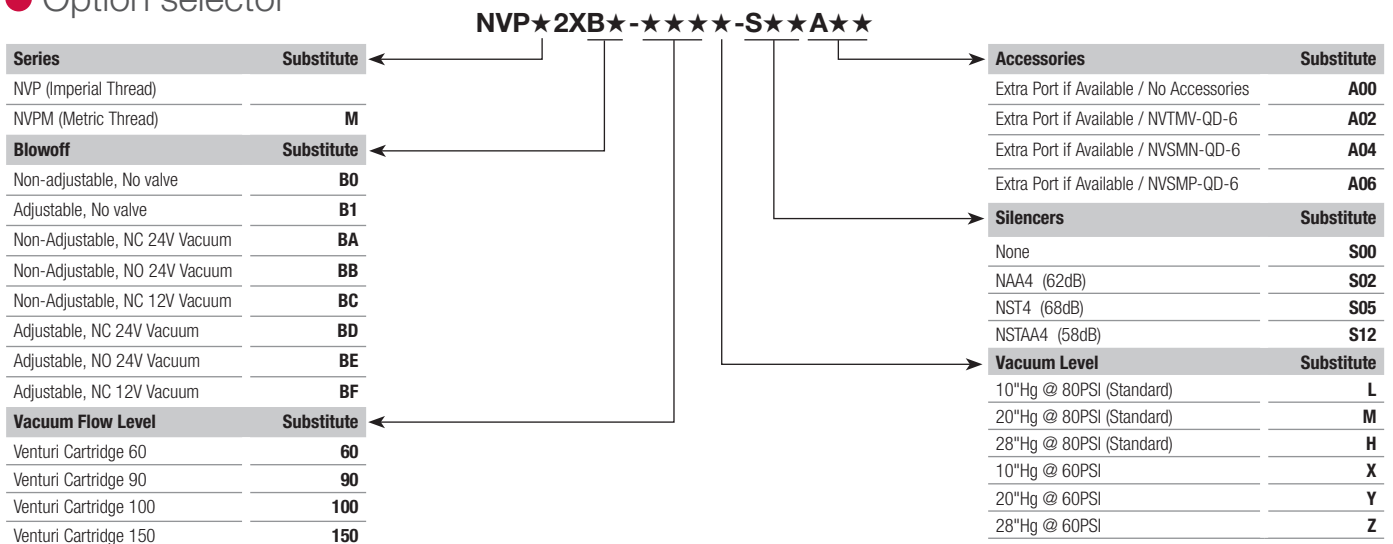
Product Options
Standard (NVP20)
Pneumatic blow-off (NVP2X)
Valve controlled blow-off (NVP20V)
Multi-port (NVP20M)
Air Saver (NVP20C)

Standard Models

Part number	Valve	Max. Vacuum Level	Max. Vacuum Flow	Air Consumption	Silencer	Blowoff
NVP2XB0-90M-S05A00	None	20"Hg	1.40 SCFM	1.40 SCFM	NST4 Silencer	Non-Adjustable
NVP2XB0-90H-S05A00	None	28"Hg	1.20 SCFM	1.80 SCFM	NST4 Silencer	Non-Adjustable
NVP2XB0-100M-S05A00	None	20"Hg	2.10 SCFM	1.80 SCFM	NST4 Silencer	Non-Adjustable
NVP2XB0-100H-S05A00	None	28"Hg	2.00 SCFM	2.80 SCFM	NST4 Silencer	Non-Adjustable
NVP2XB0-150M-S05A00	None	20"Hg	3.50 SCFM	2.80 SCFM	NST4 Silencer	Non-Adjustable
NVP2XB0-150H-S05A00	None	28"Hg	3.20 SCFM	4.80 SCFM	NST4 Silencer	Non-Adjustable
NVP2XBA-90M-S05A00	NC 24V	20"Hg	1.40 SCFM	1.40 SCFM	NST4 Silencer	Non-Adjustable
NVP2XBA-90H-S05A00	NC 24V	28"Hg	1.20 SCFM	1.80 SCFM	NST4 Silencer	Non-Adjustable
NVP2XBA-100M-S05A00	NC 24V	20"Hg	2.10 SCFM	1.80 SCFM	NST4 Silencer	Non-Adjustable
NVP2XBA-100H-S05A00	NC 24V	28"Hg	2.00 SCFM	2.80 SCFM	NST4 Silencer	Non-Adjustable
NVP2XBA-150M-S05A00	NC 24V	20"Hg	3.50 SCFM	2.80 SCFM	NST4 Silencer	Non-Adjustable
NVP2XBA-150H-S05A00	NC 24V	28"Hg	3.20 SCFM	4.80 SCFM	NST4 Silencer	Non-Adjustable

Accessories

Option selector

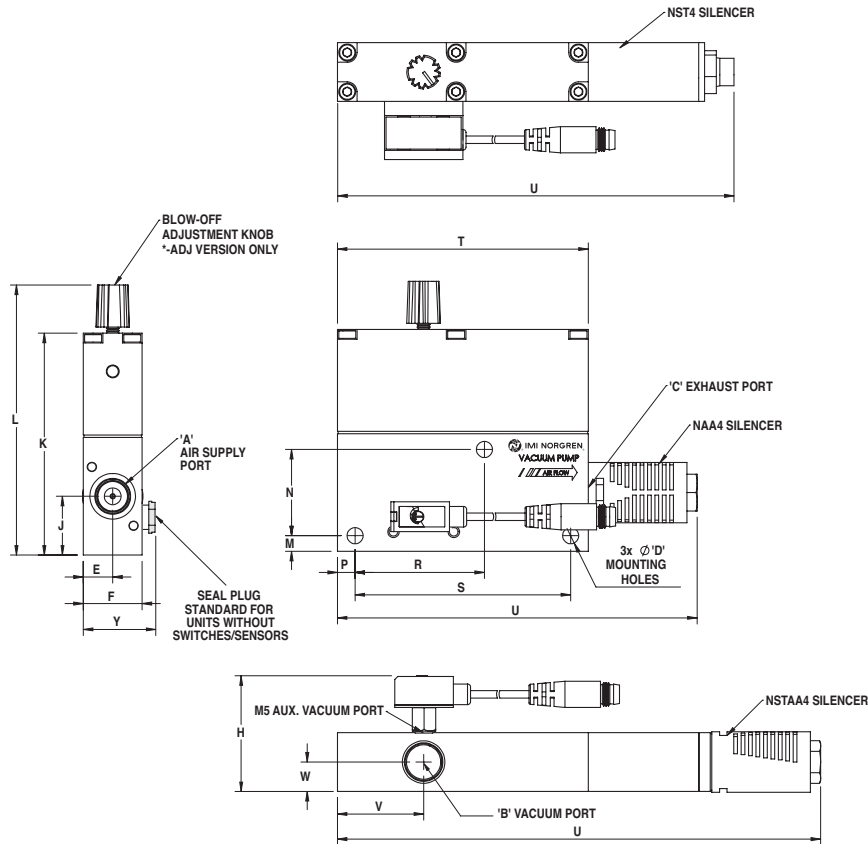


● Accessories

Model	Inline Fitting	Swivel Elbow	Vacuum Fitting	Bellows Cup	Flat Cup	Spring Leveler
NVP2X-90M-S05A00	124250428	124470428	NVCF45-14M	NBG*****	NFG*****	NVSL3-***
NVP2X-90H-S05A00	124250428	124470428	NVCF45-14M	NBG*****	NFG*****	NVSL3-***
NVP2X-100M-S05A00	124250628	124470628	NVCF45-14M	NBG*****	NFG*****	NVSL3-***
NVP2X-100H-S05A00	124250628	124470628	NVCF45-14M	NBG*****	NFG*****	NVSL3-***
NVP2X-150M-S05A00	124250628	124470628	NVCF45-14M	NBG*****	NFG*****	NVSL3-***
NVP2X-150H-S05A00	124250628	124470628	NVCF45-14M	NBG*****	NFG*****	NVSL3-***

*Proper selection of vacuum cups depends on the application. Cups are available in various durometers, colors and materials. If you do not see what you are looking for, please consult factory
 *The fittings, cups, and spring levelers listed are a small selection of possible options please refer to the specific catalog section

● Dimensions inches (mm)



Model	Units	A	B	C	D	E	F	H	J	K	L	M	N	P	R	S	T	U	V	W	Y
NVP2XB0-****-S02A0*	Imperial	1/4 NPTF	1/4 NPTF	1/4 NPTF	0.21	0.38	0.75	1.49	0.75	2.83	3.49	0.20	1.10	0.23	1.65	2.75	3.20	4.59	1.10	0.375	0.92
NVP2XB0-****-S05A0*	Imperial	1/4 NPTF	1/4 NPTF	1/4 NPTF	0.21	0.38	0.75	1.49	0.75	2.83	3.49	0.20	1.10	0.23	1.65	2.75	3.20	5.06	1.10	0.375	0.92
NVP2XB0-****-S12A0*	Imperial	1/4 NPTF	1/4 NPTF	1/4 NPTF	0.21	0.38	0.75	1.49	0.75	2.83	3.49	0.20	1.10	0.23	1.65	2.75	3.20	6.31	1.10	0.375	0.92
NVPM2XB0-****-S02A0*	(Metric)	(G 1/4)	(G 1/4)	(G 1/4)	(5.33)	(9.65)	(19.05)	(37.85)	(19.05)	(71.88)	(88.65)	(5.08)	(27.94)	(5.84)	(41.91)	(69.85)	(81.82)	(116.59)	(27.94)	(9.53)	(23.24)
NVPM2XB0-****-S05A0*	(Metric)	(G 1/4)	(G 1/4)	(G 1/4)	(5.33)	(9.65)	(19.05)	(37.85)	(19.05)	(71.88)	(88.65)	(5.08)	(27.94)	(5.84)	(41.91)	(69.85)	(81.82)	(128.52)	(27.94)	(9.53)	(23.24)
NVPM2XB0-****-S12A0*	(Metric)	(G 1/4)	(G 1/4)	(G 1/4)	(5.33)	(9.65)	(19.05)	(37.85)	(19.05)	(71.88)	(88.65)	(5.08)	(27.94)	(5.84)	(41.91)	(69.85)	(81.82)	(160.27)	(27.94)	(9.53)	(23.24)

NVP2X

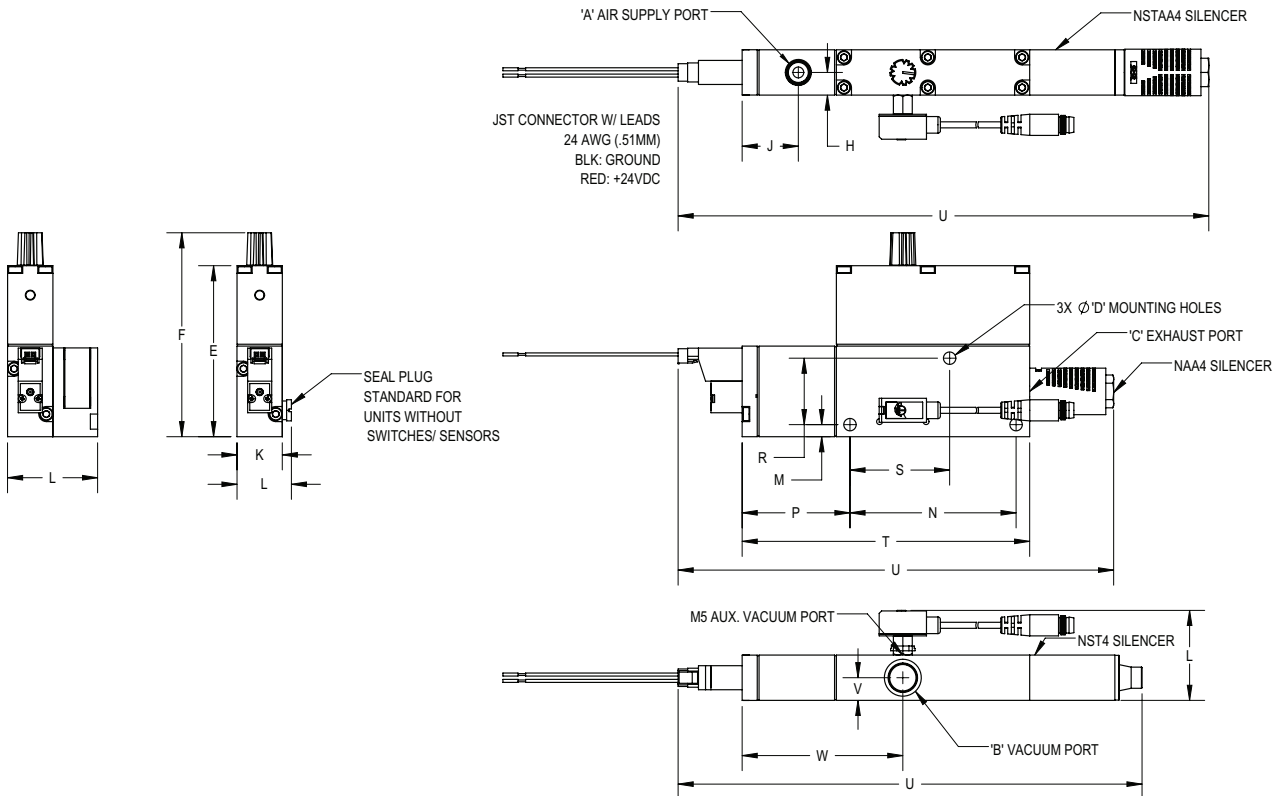
Pneumatic Blow-off

Accessories

Model	Inline Fitting	Swivel Elbow	Vacuum Fitting	Bellows Cup	Flat Cup	Spring Leveler
NVP2X-90M-S05A00	124250428	124470428	NVCF45-14M	NBG*****	NFG*****	NVSL3-***
NVP2X-90H-S05A00	124250428	124470428	NVCF45-14M	NBG*****	NFG*****	NVSL3-***
NVP2X-100M-S05A00	124250628	124470628	NVCF45-14M	NBG*****	NFG*****	NVSL3-***
NVP2X-100H-S05A00	124250628	124470628	NVCF45-14M	NBG*****	NFG*****	NVSL3-***
NVP2X-150M-S05A00	124250628	124470628	NVCF45-14M	NBG*****	NFG*****	NVSL3-***
NVP2X-150H-S05A00	124250628	124470628	NVCF45-14M	NBG*****	NFG*****	NVSL3-***

*Proper selection of vacuum cups depends on the application. Cups are available in various diameters, colors and materials. If you do not see what you are looking for, please consult factory
 *The fittings, cups, and spring levelers listed are a small selection of possible options please refer to the specific catalog section

Dimensions inches (mm)



Model	Units	A	B	C	D	E	F	H	J	K	L	M	N	P	R	S	T	U	V	W
NVP2XB0-****-S02A0*	Imperial	1/8 NPTF	1/4 NPTF	1/4 NPTF	0.20	2.83	3.38	0.38	0.93	0.75	0.90	0.20	2.75	1.79	1.10	1.65	4.76	7.21	0.38	2.66
NVP2XB0-****-S05A0*	Imperial	1/8 NPTF	1/4 NPTF	1/4 NPTF	0.20	2.83	3.38	0.38	0.93	0.75	0.90	0.20	2.75	1.79	1.10	1.65	4.76	7.68	0.38	2.66
NVP2XB0-****-S12A0*	Imperial	1/8 NPTF	1/4 NPTF	1/4 NPTF	0.20	2.83	3.38	0.38	0.93	0.75	0.90	0.20	2.75	1.79	1.10	1.65	4.76	8.79	0.38	2.66
NVP2XB0-****-S**A0*	Imperial	1/8 NPTF	1/4 NPTF	1/4 NPTF	0.20	2.83	3.38	0.38	0.93	0.75	0.90	0.20	2.75	1.79	1.10	1.65	4.76	N/A	0.38	2.66
NVPM2XB0-****-S02A0*	(Metric)	(G 1/8)	(G 1/4)	(G 1/4)	(5.1)	(71.9)	(85.9)	(9.7)	(23.6)	(19.0)	(22.9)	(5.1)	(69.8)	(45.5)	(27.9)	(41.9)	(120.9)	(183.1)	(9.7)	(67.6)
NVPM2XB0-****-S05A0*	(Metric)	(G 1/8)	(G 1/4)	(G 1/4)	(5.1)	(71.9)	(85.9)	(9.7)	(23.6)	(19.0)	(22.9)	(5.1)	(69.8)	(45.5)	(27.9)	(41.9)	(120.9)	(195.1)	(9.7)	(67.6)
NVPM2XB0-****-S12A0*	(Metric)	(G 1/8)	(G 1/4)	(G 1/4)	(5.1)	(71.9)	(85.9)	(9.7)	(23.6)	(19.0)	(22.9)	(5.1)	(69.8)	(45.5)	(27.9)	(41.9)	(120.9)	(223.3)	(9.7)	(67.6)
NVPM2XB0-****-S**A0*	(Metric)	(G 1/8)	(G 1/4)	(G 1/4)	(5.1)	(71.9)	(85.9)	(9.7)	(23.6)	(19.0)	(37.8)	(5.1)	(69.8)	(45.5)	(27.9)	(41.9)	(120.9)	N/A	(9.7)	(67.6)

NVP20M

Multi-Port

- Multi-port version - distribute vacuum to multiple locations
- High Productivity – non-clogging design reduces downtime
- Strong hold – powerful vacuum up to 28"Hg [948mbar]
- Mounts Easily – compact and lightweight
- Fast Response – installs close to vacuum point
- Efficient – minimal air consumption
- Reliable operation – straight-through design with no moving parts

Technical Data

Fluid:
Filtered (50 Micron) unlubricated, non-corrosive dry gases

Operating Temperature
-30° to ~250° F (-34° to ~121°C)
20° to ~120° F (-7° to ~49°C) (Valve Option)

Operating Pressure
80 PSI (5.5 bar) Standard or
60 PSI (4.1 bar)

Materials
Generator Body: Anodized Aluminum

Supply/Vacuum Line
1/4" OD for sizes 60 and 90
3/8" OD for sizes 100 and 150

Mounting Holes
Mounting holes accept 10-32 [M5] screws

Electrical
24V - 5% to 10% (VA/VD, VB/VE option)
12V - 5% to 10% (VC/VF option)

Power Consumption
1.6 watts

Response Times
8 milliseconds

Cycle Rate (cycles/second)
45 cycles/second

Average Valve Life
50 million cycles

Electrical Connection
11.8" Flying Lead

LED Indicator with Manual Override
Yes

Control Valve
12V (VC/VF option) or 24V normally closed (VA/VD option) or 24V normally open (VB/VE option)

Performance Level Designations
"L", "X" 0-10"Hg [0 to 339mbar] for low vacuum/high flow applications
"M", "Y" 0-20"Hg [0 to 677mbar] for medium vacuum/high flow applications
"H", "Z" 0-28"Hg [0 to 948mbar] for high vacuum/standard flow applications



vacuum/high flow applications
"H", "Z" 0-28"Hg [0 to 948mbar] for high vacuum/standard flow applications
vacuum/high flow applications
Product options
Standard (NVP20)
Pneumatic blow-off (NVP2X)
Valve controlled blow-off (NVP20V)
Multi-port (NVP20M)
Air Saver (NVP20C)

Standard Models

Part number	Valve	Max. Vacuum Level	Max. Vacuum Flow	Air Consumption	Silencer
NVP20MO-90M-S05A38	None	20"Hg	1.40 SCFM	1.40 SCFM	NST4 Silencer
NVP20MO-90H-S05A38	None	28"Hg	1.20 SCFM	1.80 SCFM	NST4 Silencer
NVP20MO-100M-S05A38	None	20"Hg	2.10 SCFM	1.80 SCFM	NST4 Silencer
NVP20MO-100H-S05A38	None	28"Hg	2.00 SCFM	2.80 SCFM	NST4 Silencer
NVP20MO-150M-S05A38	None	20"Hg	3.50 SCFM	2.80 SCFM	NST4 Silencer
NVP20MO-150H-S05A38	None	28"Hg	3.20 SCFM	4.80 SCFM	NST4 Silencer
NVP20MA-090M-S05A38	NC 24V	20"Hg	1.40 SCFM	1.40 SCFM	NST4 Silencer
NVP20MA-090H-S05A38	NC 24V	28"Hg	1.20 SCFM	1.80 SCFM	NST4 Silencer
NVP20MA-100M-S05A38	NC 24V	20"Hg	2.10 SCFM	1.80 SCFM	NST4 Silencer
NVP20MA-100H-S05A38	NC 24V	28"Hg	2.00 SCFM	2.80 SCFM	NST4 Silencer
NVP20MA-150M-S05A38	NC 24V	20"Hg	3.50 SCFM	2.80 SCFM	NST4 Silencer
NVP20MA-150H-S05A38	NC 24V	28"Hg	3.20 SCFM	4.80 SCFM	NST4 Silencer

Accessories

Option selector

Series	Substitute	Accessories	Substitute
NVP (Imperial Thread)		Extra Ports / NVG-150-GF	A38
NVPM (Metric Thread)	M	Extra Ports / NVTMV-QD-6 / NVG-150-GF	A22
		Extra Ports / NVSMN-QD-6 / NVG-150-GF	A24
		Extra Ports / NVSMP-QD-6 / NVG-150-GF	A26
Valve	Substitute	Silencers	Substitute
Multi-Port, No Valve	MO	None	S00
Multi-Port, NC 24V Vacuum	MA	NAA4 (62dB)	S02
Multi-Port, NO 24V Vacuum	MB	NST4 (68dB)	S05
Multi-Port, NC 12V Vacuum	MC	NSTAA4 (58dB)	S12
Vacuum Flow Level	Substitute		
Venturi Cartridge 60	60		
Venturi Cartridge 90	90		
Venturi Cartridge 100	100		
Venturi Cartridge 150	150		
Vacuum Level	Substitute		
10"Hg @ 80PSI (Standard)	L		
20"Hg @ 80PSI (Standard)	M		
28"Hg @ 80PSI (Standard)	H		
10"Hg @ 60PSI	X		
20"Hg @ 60PSI	Y		
28"Hg @ 60PSI	Z		

NVP★20MO-★★★★-S★★A★★

● Accessories

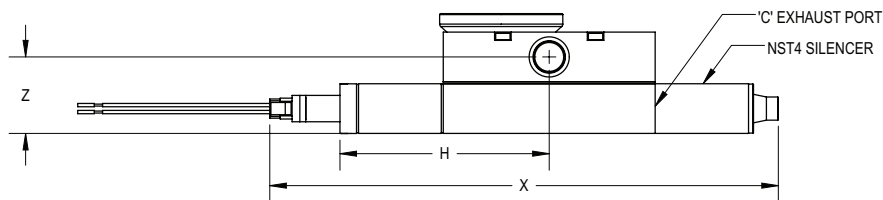
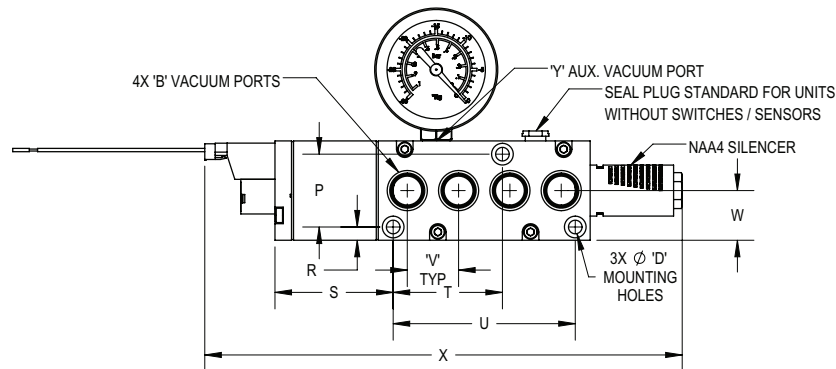
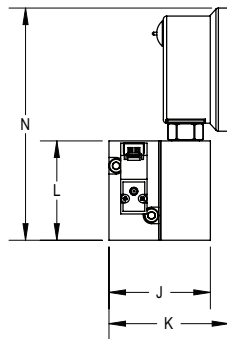
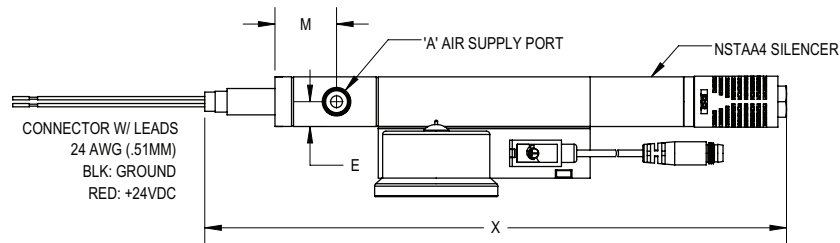
Model	Inline Fitting	Pneufit Swivel Male Elbow
-------	----------------	---------------------------



NVP20M0-90M-S05A38	124250428	124470428
NVP20M0-90H-S05A38	124250428	124470428
NVP20M0-100M-S05A38	124250628	124470628
NVP20M0-100H-S05A38	124250628	124470628
NVP20M0-150M-S05A38	124250628	124470628
NVP20M0-150H-S05A38	124250628	124470628

*Proper selection of vacuum cups depends on the application. Cups are available in various durometers, colors and materials. If you do not see what you are looking for, please consult factory
*The fittings, cups, and spring levelers listed are a small selection of possible options please refer to the specific catalog section

● Dimensions inches (mm)



Model	Units	A	B	C	D	E	F	H	J	K	L	M	N	P	R	S	T	U	V	W	X	Y	Z
NVP20M0-***-S02A38	Imperial	1/8 NPTF	1/4 NPTF	1/4 NPTF	0.20	0.37	1/4 NPTF	3.16	1.53	1.81	1.50	0.93	3.51	1.10	0.20	1.79	1.65	2.75	0.78	0.75	7.21	1/8 NPT F	1.16
NVP20M0-***-S05A38	Imperial	1/8 NPTF	1/4 NPTF	1/4 NPTF	0.20	0.37	1/4 NPTF	3.16	1.53	1.81	1.50	0.93	3.51	1.10	0.20	1.79	1.65	2.75	0.78	0.75	7.68	1/8 NPT F	1.16
NVP20M0-***-S12A38	Imperial	1/8 NPTF	1/4 NPTF	1/4 NPTF	0.20	0.37	1/4 NPTF	3.16	1.53	1.81	1.50	0.93	3.51	1.10	0.20	1.79	1.65	2.75	0.78	0.75	8.79	1/8 NPT F	1.16
NVPM20M0-***-S02A38	(Metric)	(G 1/8)	(G 1/4)	(G 1/4)	(5.10)	(9.40)	(G 1/4)	(80.30)	(38.90)	(46.00)	(38.10)	(23.60)	(89.20)	(27.90)	(5.10)	(45.50)	(41.90)	(69.80)	(19.80)	(19.10)	(183.10)	(G 1/8)	(29.50)
NVPM20M0-***-S05A38	(Metric)	(G 1/8)	(G 1/4)	(G 1/4)	(5.10)	(9.40)	(G 1/4)	(80.30)	(38.90)	(46.00)	(38.10)	(23.60)	(89.20)	(27.90)	(5.10)	(45.50)	(41.90)	(69.80)	(19.80)	(19.10)	(195.10)	(G 1/8)	(29.50)
NVPM20M0-***-S12A38	(Metric)	(G 1/8)	(G 1/4)	(G 1/4)	(5.10)	(9.40)	(G 1/4)	(80.30)	(38.90)	(46.00)	(38.10)	(23.60)	(89.20)	(27.90)	(5.10)	(45.50)	(41.90)	(69.80)	(19.80)	(19.10)	(223.30)	(G 1/8)	(29.50)

NVP20C

Air Saver

- Energy efficient – compressed air on only when needed, automatic shut-off
- High Productivity – non-clogging design reduces downtime
- Strong hold – powerful vacuum up to 28"Hg [948mbar]
- Mounts Easily – compact and lightweight
- Fast Response – installs close to vacuum point
- Efficient – minimal air consumption
- Reliable operation – straight-through design with no moving parts

Technical Data

Fluid:
Filtered (100 Micron) unlubricated, non-corrosive dry gases

Operating Temperature
-30° to ~250° F (-34° to ~121°C)

Operating Pressure
80 PSI (5.5 bar) Standard or 60 PSI (4.1 bar)

Materials
Generator Body: Anodized Aluminum

Supply/Vacuum Line
1/4" OD for sizes 60 and 90
3/8" OD for sizes 100 and 150

Mounting Holes
Mounting holes accept 10-32 [M5] screws

Performance Level Designations
"M", "Y" 0-20"Hg [0 to 677mbar] for medium vacuum/high flow applications
"H", "Z" 0-28"Hg [0 to 948mbar] for high vacuum/standard flow applications

Generator Selection

1. Determine the desired evacuation time (speed)
2. Calculate the total volume of air to be evacuated in the system including vacuum lines, vessel/cavity size, cups, etc.
3. Determine the desired vacuum level, "Hg/mbar Application ex.: Evacuate 2 cu.ft. of air in 1 minute (60 sec) at a vacuum level of 21"Hg
Formula: Time (60 sec)/Cu. ft (2) = 30 seconds per cu. ft. (evacuation speed)

Product options

- Standard (NVP20)
- Pneumatic blow-off (NVP2X)
- Valve controlled blow-off (NVP20V)
- Multi-port (NVP20M)
- Air Saver (NVP20C)



Standard Models

Part number	Max. Vacuum Level	Max. Vacuum Flow	Air Consumption	Silencer
NVP20C0-60M-S02A38	20"Hg	0.50 SCFM	0.50 SCFM	NAA4 Silencer
NVP20C0-60H-S02A38	28"Hg	0.50 SCFM	0.80 SCFM	NAA4 Silencer
NVP20C0-90M-S02A38	20"Hg	1.40 SCFM	1.40 SCFM	NAA4 Silencer
NVP20C0-90H-S02A38	28"Hg	1.20 SCFM	1.80 SCFM	NAA4 Silencer
NVP20C0-100M-S02A38	20"Hg	2.10 SCFM	1.80 SCFM	NAA4 Silencer
NVP20C0-100H-S02A38	28"Hg	2.00 SCFM	2.80 SCFM	NAA4 Silencer
NVP20C0-150M-S02A38	20"Hg	3.50 SCFM	2.80 SCFM	NAA4 Silencer
NVP20C0-150H-S02A38	28"Hg	3.80 SCFM	4.80 SCFM	NAA4 Silencer

Accessories

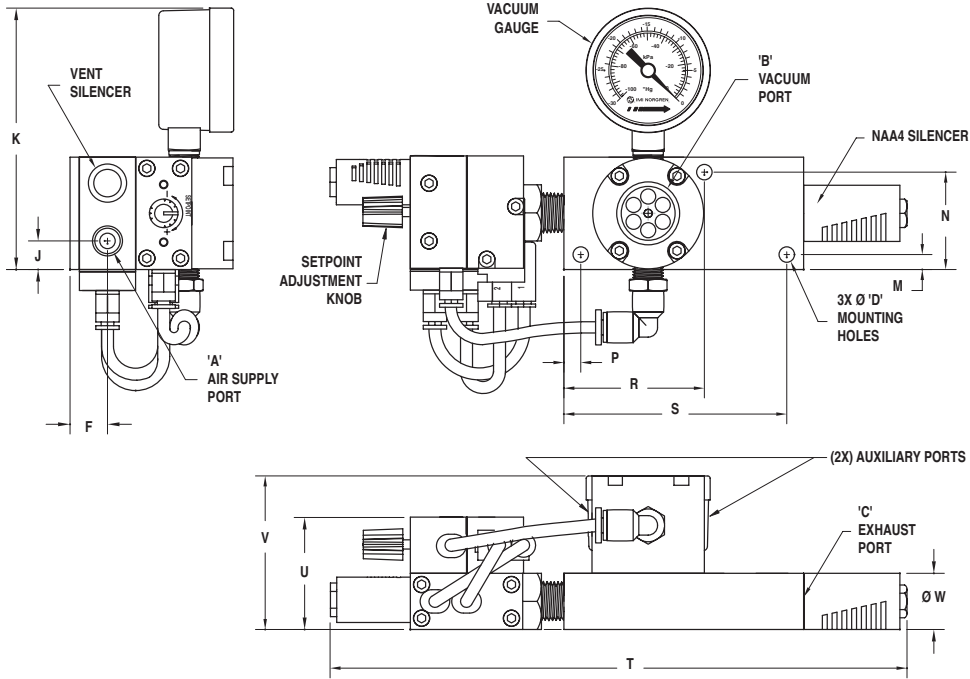
Option selector

NVP★20C0-★★★★-S★★A★★

Series	Substitute	Accessories	Substitute
NVP (Imperial Thread)		Extra Ports / NVG-150-GF	A38
NVPM (Metric Thread)	M		
Vacuum Flow Level	Substitute	Silencers	Substitute
Venturi Cartridge 60	60	None	S00
Venturi Cartridge 90	90	NAA4 (62dB)	S02
Venturi Cartridge 100	100		
Venturi Cartridge 150	150		
Vacuum Level	Substitute		
20"Hg @ 80PSI (Standard)	M		
28"Hg @ 80PSI (Standard)	H		
20"Hg @ 60PSI	Y		
28"Hg @ 60PSI	Z		

NVP20C
Air Saver

● Dimensions inches (mm)



Models	Units	A	B	C	D	E	F	J	K	M	N	P	R	S	T	U	V	W
NVP20C0-***-S02A38	Imperial	1/8 NPTF	1/2 NPTF	1/4 NPTF	0.21	1/8 NPTF	0.375	0.34	3.87	0.20	1.30	0.23	1.88	2.95	7.53	1.47	2.20	0.75
NVPM20C0-***-S02A38	(Metric)	(G 1/8)	(G 1/2)	(G 1/4)	(5.20)	(G 1/8)	(9.5)	(8.60)	(98.30)	(5.10)	(33.00)	(5.70)	(47.60)	(74.90)	(191.30)	(37.30)	(55.90)	(19.10)

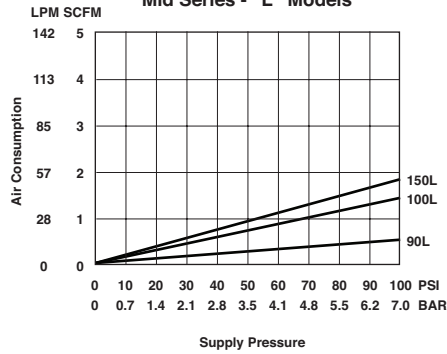
● Performance Data

Model	Air Consumption SCFM (L/min)	Vacuum Level "Hg (mbar)	0"Hg (0)	3"Hg (102)	6"Hg (203)	9"Hg (305)	10"Hg (339)	12"Hg (406)	15"Hg (508)	18"Hg (609)	20"Hg (677)	21"Hg (711)	24"Hg (813)	27"Hg (914)	28"Hg (948)
90L	0.50 (14.2)	Vacuum Flow SCFM (L/min)	1.30 (36.80)	1.10 (31.10)	0.70 (19.80)	0.20 (5.70)	0.00 (0.00)	- (-)	- (-)	- (-)	- (-)	- (-)	- (-)	- (-)	- (-)
		Evacuation time (seconds)	0.00 (0.00)	3.26 (0.10)	7.93 (0.30)	18.65 (0.70)	39.63 (1.40)	- (-)	- (-)	- (-)	- (-)	- (-)	- (-)	- (-)	- (-)
100L	1.40 (39.6)	Vacuum Flow SCFM (L/min)	2.10 (59.50)	1.60 (45.30)	1.10 (31.10)	0.50 (14.20)	0.00 (0.00)	- (-)	- (-)	- (-)	- (-)	- (-)	- (-)	- (-)	- (-)
		Evacuation time (seconds)	0.00 (0.00)	2.33 (0.10)	4.66 (0.20)	10.88 (0.40)	24.00 (0.90)	- (-)	- (-)	- (-)	- (-)	- (-)	- (-)	- (-)	- (-)
150L	1.80 (51)	Vacuum Flow SCFM (L/min)	3.50 (99.10)	2.50 (70.80)	1.90 (53.80)	0.70 (19.80)	0.00 (0.00)	- (-)	- (-)	- (-)	- (-)	- (-)	- (-)	- (-)	- (-)
		Evacuation time (seconds)	0.00 (0.00)	1.54 (0.10)	4.36 (0.20)	10.77 (0.40)	22.83 (0.80)	- (-)	- (-)	- (-)	- (-)	- (-)	- (-)	- (-)	- (-)
60M	0.50 (14.2)	Vacuum Flow SCFM (L/min)	0.50 (14.20)	0.40 (11.30)	0.30 (8.50)	0.22 (6.20)	- (-)	0.15 (4.20)	0.08 (2.30)	0.03 (0.80)	0.00 (0.00)	- (-)	- (-)	- (-)	- (-)
		Evacuation time (seconds)	0.00 (0.00)	12.50 (0.40)	25.10 (0.90)	43.90 (1.60)	- (-)	68.60 (2.40)	99.30 (3.50)	153.70 (5.40)	227.00 (8.00)	- (-)	- (-)	- (-)	- (-)
90M	1.40 (39.6)	Vacuum Flow SCFM (L/min)	1.40 (39.60)	1.25 (35.40)	1.20 (34.00)	1.05 (29.70)	- (-)	0.85 (24.10)	0.65 (18.40)	0.25 (7.10)	0.00 (0.00)	- (-)	- (-)	- (-)	- (-)
		Evacuation time (seconds)	0.00 (0.00)	3.75 (0.10)	7.20 (0.30)	12.40 (0.40)	- (-)	19.10 (0.70)	29.90 (1.10)	52.00 (1.80)	104.00 (3.70)	- (-)	- (-)	- (-)	- (-)
100M	1.80 (51)	Vacuum Flow SCFM (L/min)	2.10 (59.50)	2.00 (56.60)	1.85 (52.40)	1.75 (49.60)	- (-)	1.60 (45.30)	1.25 (35.40)	0.80 (22.70)	0.00 (0.00)	- (-)	- (-)	- (-)	- (-)
		Evacuation time (seconds)	0.00 (0.00)	2.65 (0.10)	5.80 (0.20)	9.90 (0.30)	- (-)	16.20 (0.60)	22.90 (0.80)	36.20 (1.30)	56.60 (2.00)	- (-)	- (-)	- (-)	- (-)
150M	2.80 (79.3)	Vacuum Flow SCFM (L/min)	3.50 (99.10)	3.20 (90.60)	2.95 (83.50)	2.75 (77.90)	- (-)	2.50 (70.80)	1.80 (51.00)	0.95 (26.90)	0.00 (0.00)	- (-)	- (-)	- (-)	- (-)
		Evacuation time (seconds)	0.00 (0.00)	1.35 (0.00)	3.20 (0.10)	5.20 (0.20)	- (-)	7.70 (0.30)	11.80 (0.40)	23.40 (0.80)	52.00 (1.80)	- (-)	- (-)	- (-)	- (-)
60H	0.80 (22.7)	Vacuum Flow SCFM (L/min)	0.50 (14.20)	0.38 (10.80)	0.32 (9.10)	0.30 (8.50)	- (-)	0.27 (7.60)	0.23 (6.50)	0.20 (5.70)	- (-)	0.13 (3.70)	0.05 (1.40)	0.02 (0.60)	0.00 (0.00)
		Evacuation time (seconds)	0.00 (0.00)	15.00 (0.50)	29.80 (1.10)	50.60 (1.80)	- (-)	74.50 (2.60)	102.80 (3.60)	135.90 (4.80)	- (-)	183.20 (6.50)	245.90 (8.70)	410.20 (14.50)	790.80 (27.90)
90H	1.80 (51)	Vacuum Flow SCFM (L/min)	1.20 (34.00)	1.00 (28.30)	0.95 (26.90)	0.90 (25.50)	- (-)	0.85 (24.10)	0.75 (21.20)	0.70 (19.80)	- (-)	0.52 (14.70)	0.47 (13.30)	0.20 (5.70)	0.00 (0.00)
		Evacuation time (seconds)	0.00 (0.00)	6.50 (0.20)	12.30 (0.40)	18.90 (0.70)	- (-)	32.50 (1.10)	47.00 (1.70)	65.40 (2.30)	- (-)	92.20 (3.30)	130.00 (4.60)	222.20 (7.80)	281.30 (9.90)
100H	2.80 (79.3)	Vacuum Flow SCFM (L/min)	2.00 (56.60)	1.85 (52.40)	1.75 (49.60)	1.57 (44.50)	- (-)	1.40 (39.60)	1.25 (35.40)	1.05 (29.70)	- (-)	0.84 (23.80)	0.70 (19.80)	0.35 (9.90)	0.00 (0.00)
		Evacuation time (seconds)	0.00 (0.00)	2.70 (0.10)	6.50 (0.20)	11.20 (0.40)	- (-)	17.50 (0.60)	25.80 (0.90)	38.40 (1.40)	- (-)	55.20 (1.90)	79.20 (2.80)	166.70 (5.90)	251.80 (8.90)
150H	4.80 (135.9)	Vacuum Flow SCFM (L/min)	3.20 (90.60)	2.80 (79.30)	2.50 (70.80)	2.30 (65.10)	- (-)	2.00 (56.60)	1.60 (45.30)	1.40 (39.60)	- (-)	1.20 (34.00)	0.80 (22.70)	0.50 (14.20)	0.00 (0.00)
		Evacuation time (seconds)	0.00 (0.00)	2.30 (0.10)	3.80 (0.10)	6.50 (0.20)	- (-)	10.20 (0.40)	14.20 (0.50)	21.30 (0.80)	- (-)	44.90 (1.60)	55.00 (1.90)	81.00 (2.90)	125.00 (4.40)

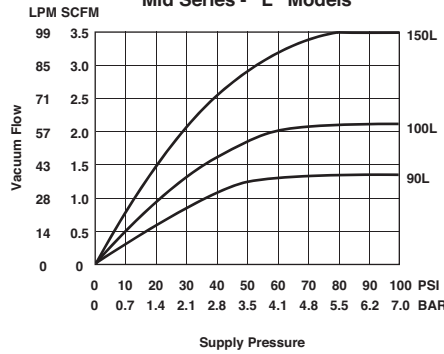
Evacuation time in seconds based on 1 cubic foot volume / "Hg (1 Liter Volume / mbar)

● Performance Data

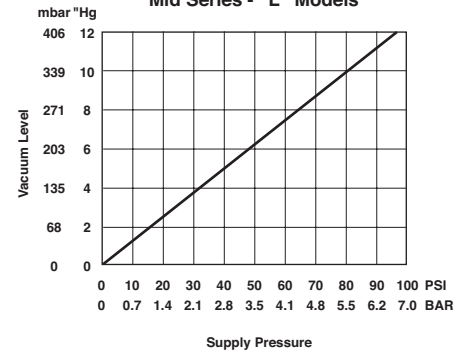
**Air Consumption vs Supply Pressure
Mid Series - "L" Models**



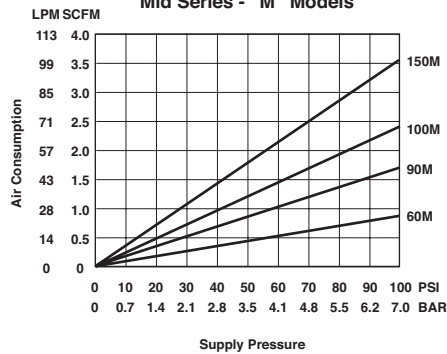
**Vacuum Flow vs Supply Pressure
Mid Series - "L" Models**



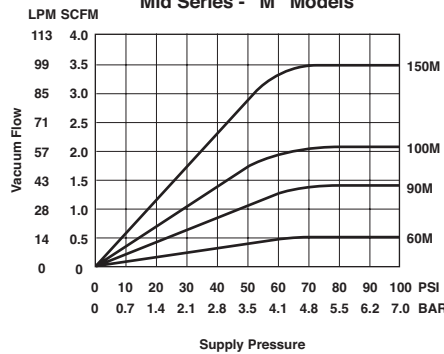
**Static Vacuum vs Supply Pressure
Mid Series - "L" Models**



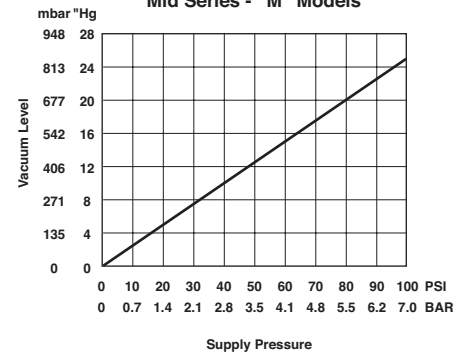
**Air Consumption vs Supply Pressure
Mid Series - "M" Models**



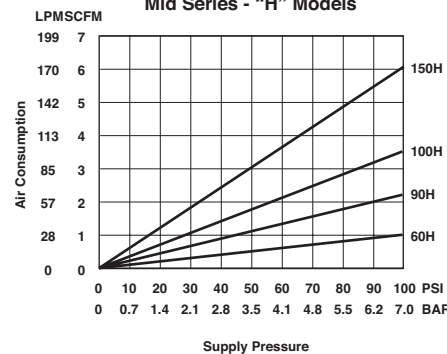
**Vacuum Flow vs Supply Pressure
Mid Series - "M" Models**



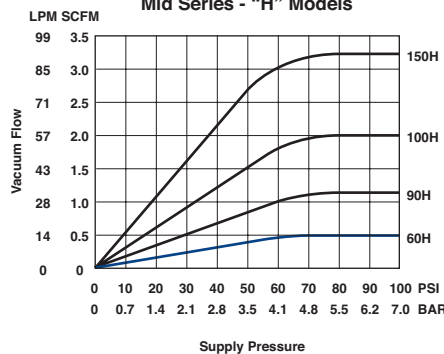
**Static Vacuum vs Supply Pressure
Mid Series - "M" Models**



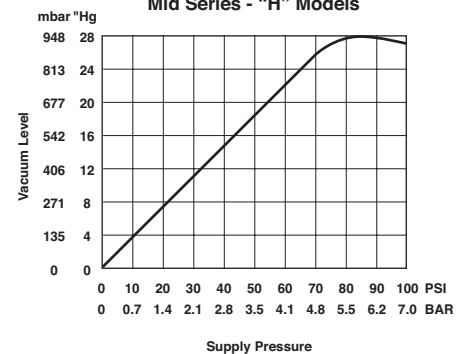
**Air Consumption vs Supply Pressure
Mid Series - "H" Models**



**Vacuum Flow vs Supply Pressure
Mid Series - "H" Models**



**Static Vacuum vs Supply Pressure
Mid Series - "H" Models**



Notes: Standard operating pressure for IMI Norgren generators is 80 PSI [5.5 bar]. Generators can be factory modified to run at other operating pressures i.e. 60 PSI [4.1 bar] etc. The values shown in the performance chart will remain the same for all operating pressures.

Warnings

Improper selection, misuse, age or malfunction of components used in systems can cause failure in various modes. The system designer is warned to consider the failure modes of all component parts and to provide adequate safeguards to prevent personal injury or damage to equipment or property in the event of such failure modes. System designers and end users are cautioned to consult instruction sheets and specifications available from the factory. The system designer/end user is responsible for verifying that all requirements for the application are met.

Warranty

The products described herein are warranted subject to seller's Standard Terms and Condition of Sale, available at seller's website.

NVP50

- Integral check valve and air pilot controlled blowoff for rapid part release or vacuum line clean out
- High Productivity – non-clogging design reduces downtime
- Strong hold – powerful vacuum up to 28"Hg [948mbar]
- Mounts Easily – compact and lightweight
- Fast Response – installs close to vacuum point
- Efficient – minimal air consumption
- Reliable operation – straight-through design with no moving parts

Technical Data

Fluid
Filtered (50 Micron) unlubricated, non-corrosive dry gases

Operating Temperature
-23° to ~122° F (-5° to ~50°C)

Operating Pressure
80 PSI (5.5 bar)

Materials
Generator Body: Anodized Aluminum

Supply Line
1/4" OD (6mm) tube recommended

Vacuum Line
3/8" OD (10mm) tube recommended

Pilot Line
5/32" OD (4mm) tube recommended

Mounting Holes
0.201" diameter

Performance Level Designations

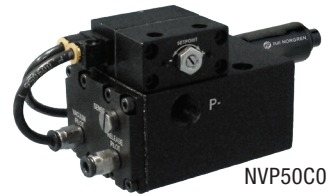
"L", "X" 0-10"Hg [0 to 339mbar] for low vacuum/high flow applications
"M", "Y" 0-20"Hg [0 to 677mbar] for medium vacuum/high flow applications
"H", "Z" 0-28"Hg [0 to 948mbar] for high vacuum/standard flow applications

Models

There are three versions of the NVP50 Series available:
NVP50 – Air pilot vacuum control and blow-off.
NVP50C0 – Integrated air saver circuit, for reduced air consumption and pilot controlled blow-off.
NVP50C1 – Air pilot controlled vacuum with integrated air saver circuit, and pilot controlled blow-off. The NVP50-ASP, also, has a pneumatic signal output for vacuum setpoint notification.



NVP50



NVP50C0



NVP50C1

Standard Models

Part number	Max. Vacuum Level	Max. Vacuum Flow	Air Consumption	Silencer
NVP50-90M-S05A00	20"Hg	1.40 SCFM	1.40 SCFM	NST4 Silencer
NVP50-90H-S05A00	28"Hg	1.20 SCFM	1.80 SCFM	NST4 Silencer
NVP50-100M-S05A00	20"Hg	2.10 SCFM	1.80 SCFM	NST4 Silencer
NVP50-100H-S05A00	28"Hg	2.00 SCFM	2.80 SCFM	NST4 Silencer
NVP50-150M-S05A00	20"Hg	3.50 SCFM	2.80 SCFM	NST4 Silencer
NVP50-150H-S05A00	28"Hg	3.20 SCFM	4.80 SCFM	NST4 Silencer

Accessories

Option selector

Series	Substitute	NVP★50★★-★★★-S★★A★★		Accessories	Substitute
NVP (Imperial Thread)				Extra Port if Available / No Accessories	A00
NVPM (Metric Thread)	M			Silencers	Substitute
Blowoff	Substitute			None	S00
None (standard)				NST4 (68dB)	S05
Air Saver	C0				
Air Saver w/ Full Pilot Control	C1				
Vacuum Flow Level	Substitute				
Venturi Cartridge 60	60				
Venturi Cartridge 90	90				
Venturi Cartridge 100	100				
Venturi Cartridge 150	150				
Vacuum Level	Substitute				
10"Hg @ 80PSI (Standard)	L*				
20"Hg @ 80PSI (Standard)	M				
28"Hg @ 80PSI (Standard)	H				

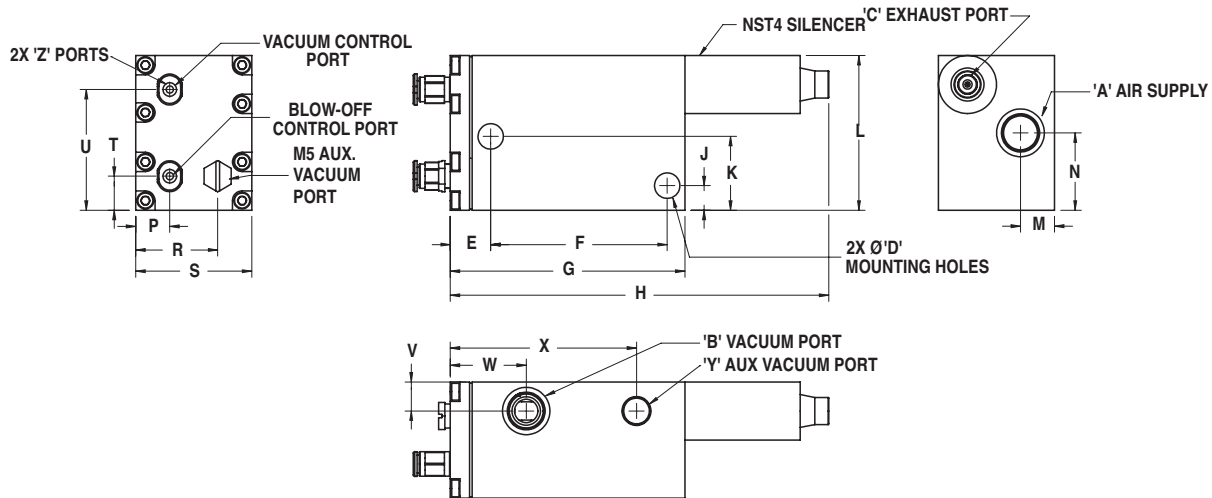
* Not available in 60 series

● Accessories

Model	Inline Fitting	Swivel Elbow	Vacuum Fitting	Bellows Cup	Flat Cup	Spring Leveler
NVP50-90M-S05A00	124250428	124470428	NVCF45-14M	NBG*****	NFG*****	NVSL3-***
NVP50-90H-S05A00	124250428	124470428	NVCF45-14M	NBG*****	NFG*****	NVSL3-***
NVP50-100M-S05A00	124250628	124470628	NVCF45-14M	NBG*****	NFG*****	NVSL3-***
NVP50-100H-S05A00	124250628	124470628	NVCF45-14M	NBG*****	NFG*****	NVSL3-***
NVP50-150M-S05A00	124250628	124470628	NVCF45-14M	NBG*****	NFG*****	NVSL3-***
NVP50-150H-S05A00	124250628	124470628	NVCF45-14M	NBG*****	NFG*****	NVSL3-***

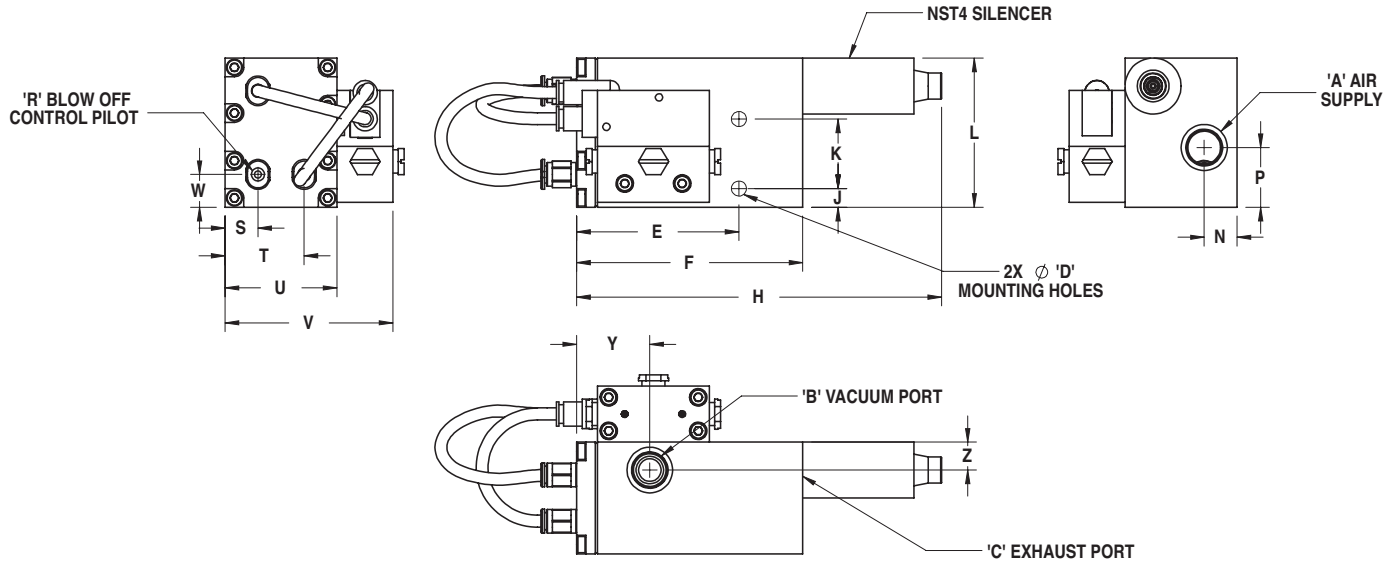
*Proper selection of vacuum cups depends on the application. Cups are available in various durometers, colors and materials. If you do not see what you are looking for, please consult factory
 *The fittings, cups, and spring levelers listed are a small selection of possible options please refer to the specific catalog section

● Dimensions inches (mm)

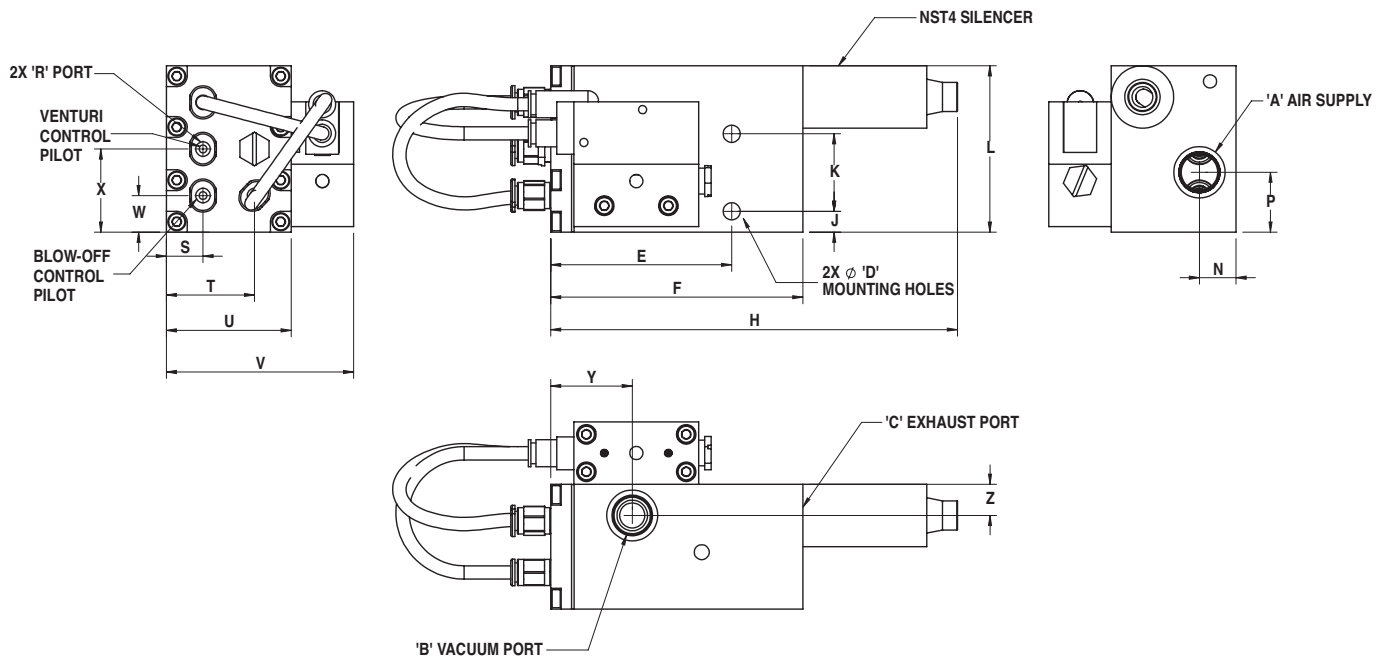


Model	Units	A	B	C	D	E	F	G	H	J	K	L	M	N	P	R	S	T	U	V	W	X	Y	Z
NVP50-****-S05A00	Imperial	1/4 NPTF	1/4 NPTF	1/4 NPTF	0.21	0.52	2.28	3.03	4.89	0.25	0.95	2.00	0.44	1.00	0.44	1.06	1.50	0.44	1.56	0.38	0.98	2.41	1/8 NPTF	5/32
NVPM50-****-S05A00	(Metric)	(G 1/4)	(G 1/4)	(G 1/4)	(5.33)	(13.21)	(57.91)	(76.96)	(124.21)	(6.35)	(24.23)	(50.80)	(11.18)	(25.40)	(11.18)	M3	(38.10)	(11.18)	(39.62)	(9.65)	(24.89)	(61.11)	(G 1/8)	(M3)

● Dimensions inches (mm)



Models	Units	A	B	C	D	E	F	H	J	K	L	N	P	R	S	T	U	V	W	Y	Z
NVP50C0-****-S05A00	Imperial	1/4 NPTF	1/4 NPTF	1/4 NPTF	0.21	2.18	3.03	4.89	0.25	0.93	2.00	0.44	0.72	5/32	0.44	1.06	1.50	2.25	0.44	0.98	0.38
NVPM50C0-****-S05A00	(Metric)	(G 1/4)	(G 1/4)	(G 1/4)	(5.33)	(55.37)	(76.96)	(124.21)	(6.35)	(23.62)	(50.80)	(11.18)	(18.29)	M3	(11.18)	(26.92)	(38.10)	(57.15)	(11.18)	(24.89)	(9.53)



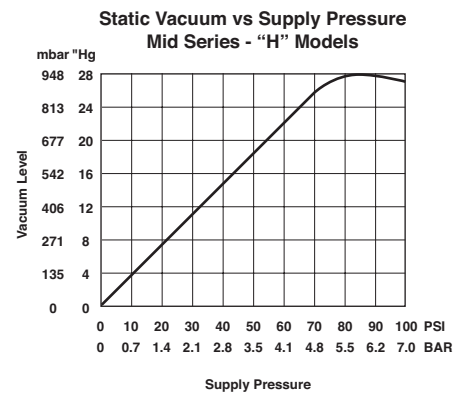
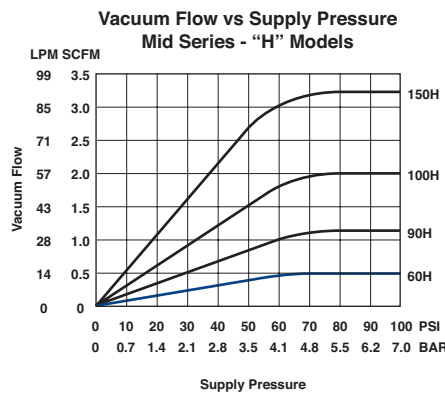
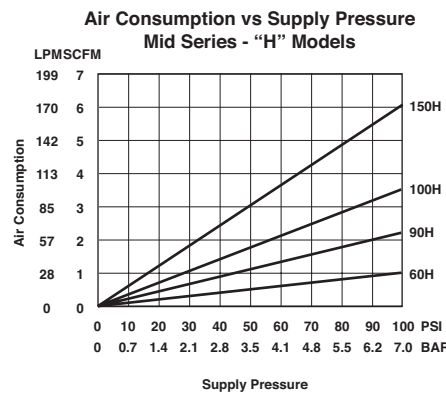
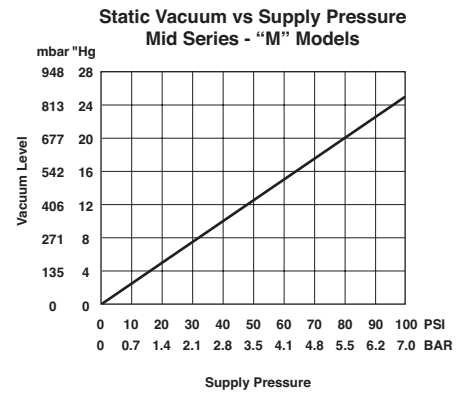
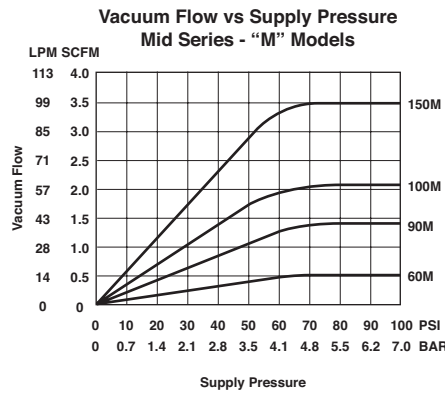
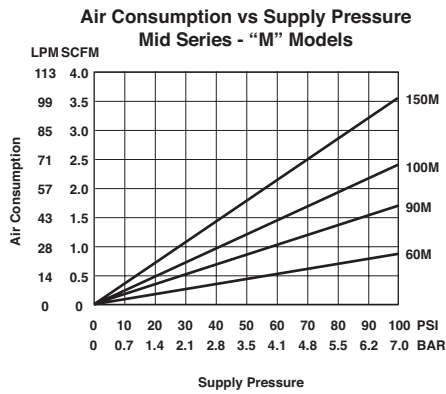
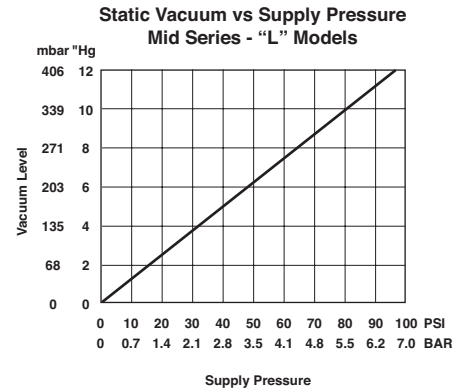
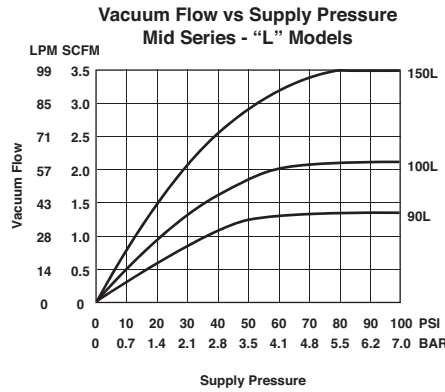
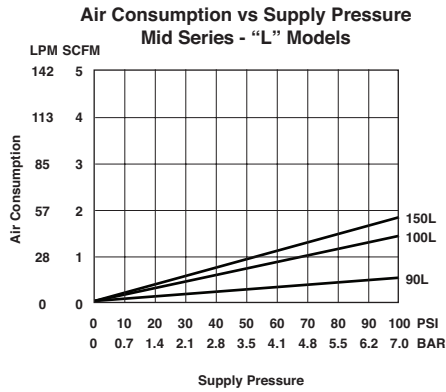
Model	Units	A	B	C	D	E	F	H	J	K	L	N	P	R	S	T	U	V	W	X	Y	Z
NVP50C1-****-S05A00	Imperial	1/4 NPTF	1/4 NPTF	1/4 NPTF	0.21	2.18	3.03	4.89	0.25	0.93	2.00	0.44	0.72	5/32	0.44	1.06	1.50	2.25	0.44	1.00	0.98	0.38
NVPM50C1-****-S05A00	(Metric)	(G 1/4)	(G 1/4)	(G 1/4)	(5.33)	(55.37)	(76.96)	(124.21)	(6.35)	(23.62)	(50.80)	(11.18)	(18.29)	(M3)	(11.18)	(26.92)	(38.10)	(57.15)	(11.18)	(25.40)	(24.89)	(9.53)

● Performance Data

Model	Air Consumption SCFM (L/min)	Vacuum Level "Hg (mbar)	0"Hg (0)	3"Hg (102)	6"Hg (203)	9"Hg (305)	10"Hg (339)	12"Hg (406)	15"Hg (508)	18"Hg (609)	20"Hg (677)	21"Hg (711)	24"Hg (813)	27"Hg (914)	28"Hg (948)
90L	0.50 (14.2)	Vacuum Flow SCFM (L/min)	1.30 (36.80)	1.10 (31.10)	0.70 (19.80)	0.20 (5.70)	0.00 (0.00)	- (-)	- (-)	- (-)	- (-)	- (-)	- (-)	- (-)	- (-)
		Evacuation time (seconds)	0.00 (0.00)	3.26 (0.10)	7.93 (0.30)	18.65 (0.70)	39.63 (1.40)	- (-)	- (-)	- (-)	- (-)	- (-)	- (-)	- (-)	- (-)
100L	1.40 (39.6)	Vacuum Flow SCFM (L/min)	2.10 (59.50)	1.60 (45.30)	1.10 (31.10)	0.50 (14.20)	0.00 (0.00)	- (-)	- (-)	- (-)	- (-)	- (-)	- (-)	- (-)	- (-)
		Evacuation time (seconds)	0.00 (0.00)	2.33 (0.10)	4.66 (0.20)	10.88 (0.40)	24.00 (0.90)	- (-)	- (-)	- (-)	- (-)	- (-)	- (-)	- (-)	- (-)
150L	1.80 (51)	Vacuum Flow SCFM (L/min)	3.50 (99.10)	2.50 (70.80)	1.90 (53.80)	0.70 (19.80)	0.00 (0.00)	- (-)	- (-)	- (-)	- (-)	- (-)	- (-)	- (-)	- (-)
		Evacuation time (seconds)	0.00 (0.00)	1.54 (0.10)	4.36 (0.20)	10.77 (0.40)	22.83 (0.80)	- (-)	- (-)	- (-)	- (-)	- (-)	- (-)	- (-)	- (-)
60M	0.50 (14.2)	Vacuum Flow SCFM (L/min)	0.50 (14.20)	0.40 (11.30)	0.30 (8.50)	0.22 (6.20)	- (-)	0.15 (4.20)	0.08 (2.30)	0.03 (0.80)	0.00 (0.00)	- (-)	- (-)	- (-)	- (-)
		Evacuation time (seconds)	0.00 (0.00)	12.50 (0.40)	25.10 (0.90)	43.90 (1.60)	- (-)	68.60 (2.40)	99.30 (3.50)	153.70 (5.40)	227.00 (8.00)	- (-)	- (-)	- (-)	- (-)
90M	1.40 (39.6)	Vacuum Flow SCFM (L/min)	1.40 (39.60)	1.25 (35.40)	1.20 (34.00)	1.05 (29.70)	- (-)	0.85 (24.10)	0.65 (18.40)	0.25 (7.10)	0.00 (0.00)	- (-)	- (-)	- (-)	- (-)
		Evacuation time (seconds)	0.00 (0.00)	3.75 (0.10)	7.20 (0.30)	12.40 (0.40)	- (-)	19.10 (0.70)	29.90 (1.10)	52.00 (1.80)	104.00 (3.70)	- (-)	- (-)	- (-)	- (-)
100M	1.80 (51)	Vacuum Flow SCFM (L/min)	2.10 (59.50)	2.00 (56.60)	1.85 (52.40)	1.75 (49.60)	- (-)	1.60 (45.30)	1.25 (35.40)	0.80 (22.70)	0.00 (0.00)	- (-)	- (-)	- (-)	- (-)
		Evacuation time (seconds)	0.00 (0.00)	2.65 (0.10)	5.80 (0.20)	9.90 (0.30)	- (-)	16.20 (0.60)	22.90 (0.80)	36.20 (1.30)	56.60 (2.00)	- (-)	- (-)	- (-)	- (-)
150M	2.80 (79.3)	Vacuum Flow SCFM (L/min)	3.50 (99.10)	3.20 (90.60)	2.95 (83.50)	2.75 (77.90)	- (-)	2.50 (70.80)	1.80 (51.00)	0.95 (26.90)	0.00 (0.00)	- (-)	- (-)	- (-)	- (-)
		Evacuation time (seconds)	0.00 (0.00)	1.35 (0.00)	3.20 (0.10)	5.20 (0.20)	- (-)	7.70 (0.30)	11.80 (0.40)	23.40 (0.80)	52.00 (1.80)	- (-)	- (-)	- (-)	- (-)
60H	0.80 (22.7)	Vacuum Flow SCFM (L/min)	0.50 (14.20)	0.38 (10.80)	0.32 (9.10)	0.30 (8.50)	- (-)	0.27 (7.60)	0.23 (6.50)	0.20 (5.70)	- (-)	0.13 (3.70)	0.05 (1.40)	0.02 (0.60)	0.00 (0.00)
		Evacuation time (seconds)	0.00 (0.00)	15.00 (0.50)	29.80 (1.10)	50.60 (1.80)	- (-)	74.50 (2.60)	102.80 (3.60)	135.90 (4.80)	- (-)	183.20 (6.50)	245.90 (8.70)	410.20 (14.50)	790.80 (27.90)
90H	1.80 (51)	Vacuum Flow SCFM (L/min)	1.20 (34.00)	1.00 (28.30)	0.95 (26.90)	0.90 (25.50)	- (-)	0.85 (24.10)	0.75 (21.20)	0.70 (19.80)	- (-)	0.52 (14.70)	0.47 (13.30)	0.20 (5.70)	0.00 (0.00)
		Evacuation time (seconds)	0.00 (0.00)	6.50 (0.20)	12.30 (0.40)	18.90 (0.70)	- (-)	32.50 (1.10)	47.00 (1.70)	65.40 (2.30)	- (-)	92.20 (3.30)	130.00 (4.60)	222.20 (7.80)	281.30 (9.90)
100H	2.80 (79.3)	Vacuum Flow SCFM (L/min)	2.00 (56.60)	1.85 (52.40)	1.75 (49.60)	1.57 (44.50)	- (-)	1.40 (39.60)	1.25 (35.40)	1.05 (29.70)	- (-)	0.84 (23.80)	0.70 (19.80)	0.35 (9.90)	0.00 (0.00)
		Evacuation time (seconds)	0.00 (0.00)	2.70 (0.10)	6.50 (0.20)	11.20 (0.40)	- (-)	17.50 (0.60)	25.80 (0.90)	38.40 (1.40)	- (-)	55.20 (1.90)	79.20 (2.80)	166.70 (5.90)	251.80 (8.90)
150H	4.80 (135.9)	Vacuum Flow SCFM (L/min)	3.20 (90.60)	2.80 (79.30)	2.50 (70.80)	2.30 (65.10)	- (-)	2.00 (56.60)	1.60 (45.30)	1.40 (39.60)	- (-)	1.20 (34.00)	0.80 (22.70)	0.50 (14.20)	0.00 (0.00)
		Evacuation time (seconds)	0.00 (0.00)	2.30 (0.10)	3.80 (0.10)	6.50 (0.20)	- (-)	10.20 (0.40)	14.20 (0.50)	21.30 (0.80)	- (-)	44.90 (1.60)	55.00 (1.90)	81.00 (2.90)	125.00 (4.40)

Evacuation time in seconds based on 1 cubic foot volume / "Hg (1 Liter Volume / mbar)

● Performance Data



Notes: Standard operating pressure for IMI Norgren generators is 80 PSI [5.5 bar]. Generators can be factory modified to run at other operating pressures i.e. 60 PSI [4.1 bar] etc. The values shown in the performance chart will remain the same for all operating pressures.

Warnings

Improper selection, misuse, age or malfunction of components used in systems can cause failure in various modes. The system designer is warned to consider the failure modes of all component parts and to provide adequate safeguards to prevent personal injury or damage to equipment or property in the event of such failure modes. System designers and end users are cautioned to consult instruction sheets and specifications available from the factory. The system designer/end user is responsible for verifying that all requirements for the application are met.

Warranty

The products described herein are warranted subject to seller's Standard Terms and Condition of Sale, available at seller's website.

NVP80

- High Productivity – non-clogging design reduces downtime
- Strong hold – powerful vacuum up to 28"Hg [948mbar]
- Mounts Easily – compact and lightweight
- Fast Response – installs close to vacuum point
- Efficient – minimal air consumption
- Reliable operation – straight-through design with no moving parts

Technical Data

Fluid
Filtered (100 Micron) unlubricated, non-corrosive dry gases

Operating Temperature
-100° to ~400° F (-73° to ~204°C)

Operating Pressure
80 PSI (5.5 bar) Standard or 60 PSI (4.1 bar)

Materials
Generator Body: Anodized Aluminum

Supply Line
3/8" OD (10mm)

Vacuum Line
3/8" OD (10mm)

Mounting Holes
Mounting holes accept 10-32[M5] screws

Control Valve
3 way/2 position (faster part release), minimum orifice – 0.125" [3mm]

Performance Level Designations
"L", "X" 0-10"Hg [0 to 339mbar] for low vacuum/high flow applications
"M", "Y" 0-20"Hg [0 to 677mbar] for medium vacuum/high flow applications
"H", "Z" 0-28"Hg [0 to 948mbar] for high vacuum/standard flow applications

Product options
Standard (NVP80)
Valve controlled blow-off (NVP80V)
Pneumatic blow-off (NVP8X)
Multi-port (NVP80M)
Air Saver (NVP80C)



Standard Models

Part number	Max. Vacuum Level	Max. Vacuum Flow	Air Consumption	Silencer
NVP80-200M-S08A00	20"Hg	6.00 SCFM	4.80 SCFM	NST6A Silencer
NVP80-200H-S08A00	28"Hg	5.40 SCFM	7.80 SCFM	NST6A Silencer
NVP80-250M-S10A00	20"Hg	9.50 SCFM	7.80 SCFM	NST8A Silencer
NVP80-250H-S10A00	28"Hg	9.00 SCFM	12.50 SCFM	NST8A Silencer

Accessories

Option selector

NVP★80-★★★★-★★★A★★

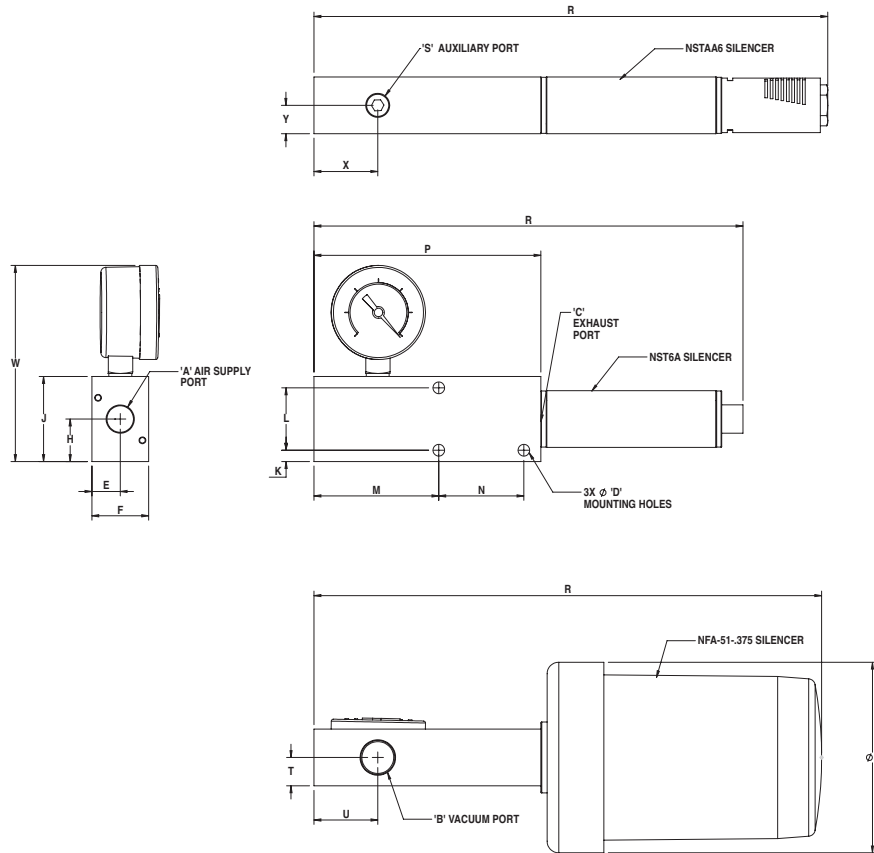
<table border="1"> <thead> <tr> <th>Series</th> <th>Substitute</th> </tr> </thead> <tbody> <tr> <td>NVP (Imperial Thread)</td> <td></td> </tr> <tr> <td>NVPM (Metric Thread)</td> <td>M</td> </tr> </tbody> </table> <table border="1"> <thead> <tr> <th>Vacuum Flow Level</th> <th>Substitute</th> </tr> </thead> <tbody> <tr> <td>Venturi Cartridge 200</td> <td>200</td> </tr> <tr> <td>Venturi Cartridge 250</td> <td>250</td> </tr> </tbody> </table> <table border="1"> <thead> <tr> <th>Vacuum Level</th> <th>Substitute</th> </tr> </thead> <tbody> <tr> <td>10"Hg @ 80PSI (Standard)</td> <td>L</td> </tr> <tr> <td>20"Hg @ 80PSI (Standard)</td> <td>M</td> </tr> <tr> <td>28"Hg @ 80PSI (Standard)</td> <td>H</td> </tr> <tr> <td>10"Hg @ 60PSI</td> <td>X</td> </tr> <tr> <td>20"Hg @ 60PSI</td> <td>Y</td> </tr> <tr> <td>28"Hg @ 60PSI</td> <td>Z</td> </tr> </tbody> </table>	Series	Substitute	NVP (Imperial Thread)		NVPM (Metric Thread)	M	Vacuum Flow Level	Substitute	Venturi Cartridge 200	200	Venturi Cartridge 250	250	Vacuum Level	Substitute	10"Hg @ 80PSI (Standard)	L	20"Hg @ 80PSI (Standard)	M	28"Hg @ 80PSI (Standard)	H	10"Hg @ 60PSI	X	20"Hg @ 60PSI	Y	28"Hg @ 60PSI	Z	<table border="1"> <thead> <tr> <th>Accessories</th> <th>Substitute</th> </tr> </thead> <tbody> <tr> <td>Extra Ports / No Accessories</td> <td>A00</td> </tr> <tr> <td>Extra Ports / NVG-150-GF</td> <td>A38</td> </tr> </tbody> </table> <table border="1"> <thead> <tr> <th>Silencers (for NVP*80-200*)</th> <th>Substitute</th> </tr> </thead> <tbody> <tr> <td>None</td> <td>S00</td> </tr> <tr> <td>NAA6 (70dB)</td> <td>S03</td> </tr> <tr> <td>NST6A (72dB)</td> <td>S08</td> </tr> <tr> <td>NSTAA6 (64dB)</td> <td>S13</td> </tr> <tr> <td>NFA-51-.375 (72dB)</td> <td>S26</td> </tr> </tbody> </table> <table border="1"> <thead> <tr> <th>Silencers (for NVP*80-250*)</th> <th>Substitute</th> </tr> </thead> <tbody> <tr> <td>None</td> <td>S00</td> </tr> <tr> <td>NFA-51-.500 (72dB)</td> <td>S27</td> </tr> <tr> <td>NFA-51-.500 - No Elbow (72dB)</td> <td>S37</td> </tr> <tr> <td>NST8A (74dB)</td> <td>S10</td> </tr> <tr> <td>NST8B (76dB)</td> <td>S11</td> </tr> </tbody> </table>	Accessories	Substitute	Extra Ports / No Accessories	A00	Extra Ports / NVG-150-GF	A38	Silencers (for NVP*80-200*)	Substitute	None	S00	NAA6 (70dB)	S03	NST6A (72dB)	S08	NSTAA6 (64dB)	S13	NFA-51-.375 (72dB)	S26	Silencers (for NVP*80-250*)	Substitute	None	S00	NFA-51-.500 (72dB)	S27	NFA-51-.500 - No Elbow (72dB)	S37	NST8A (74dB)	S10	NST8B (76dB)	S11
Series	Substitute																																																								
NVP (Imperial Thread)																																																									
NVPM (Metric Thread)	M																																																								
Vacuum Flow Level	Substitute																																																								
Venturi Cartridge 200	200																																																								
Venturi Cartridge 250	250																																																								
Vacuum Level	Substitute																																																								
10"Hg @ 80PSI (Standard)	L																																																								
20"Hg @ 80PSI (Standard)	M																																																								
28"Hg @ 80PSI (Standard)	H																																																								
10"Hg @ 60PSI	X																																																								
20"Hg @ 60PSI	Y																																																								
28"Hg @ 60PSI	Z																																																								
Accessories	Substitute																																																								
Extra Ports / No Accessories	A00																																																								
Extra Ports / NVG-150-GF	A38																																																								
Silencers (for NVP*80-200*)	Substitute																																																								
None	S00																																																								
NAA6 (70dB)	S03																																																								
NST6A (72dB)	S08																																																								
NSTAA6 (64dB)	S13																																																								
NFA-51-.375 (72dB)	S26																																																								
Silencers (for NVP*80-250*)	Substitute																																																								
None	S00																																																								
NFA-51-.500 (72dB)	S27																																																								
NFA-51-.500 - No Elbow (72dB)	S37																																																								
NST8A (74dB)	S10																																																								
NST8B (76dB)	S11																																																								

● Accessories

Model	Inline Fitting	Swivel Elbow Fitting	Vacuum Fitting	Bellows Cup	Flat Cup
NVP80-200M-S08A00	124250628	124470618	NVCF5-38M NVCF27-38M	NSM045****	NUC*****
NVP80-200H-S08A00	124250628	124470618	NVCF5-38M NVCF27-38M	NSM045****	NUC*****
NVP80-250M-S10A00	124250628	124470618	NVCF5-38M NVCF27-38M	NSM045****	NUC*****
NVP80-250H-S10A00	124250628	124470618	NVCF5-38M NVCF27-38M	NSM045****	NUC*****

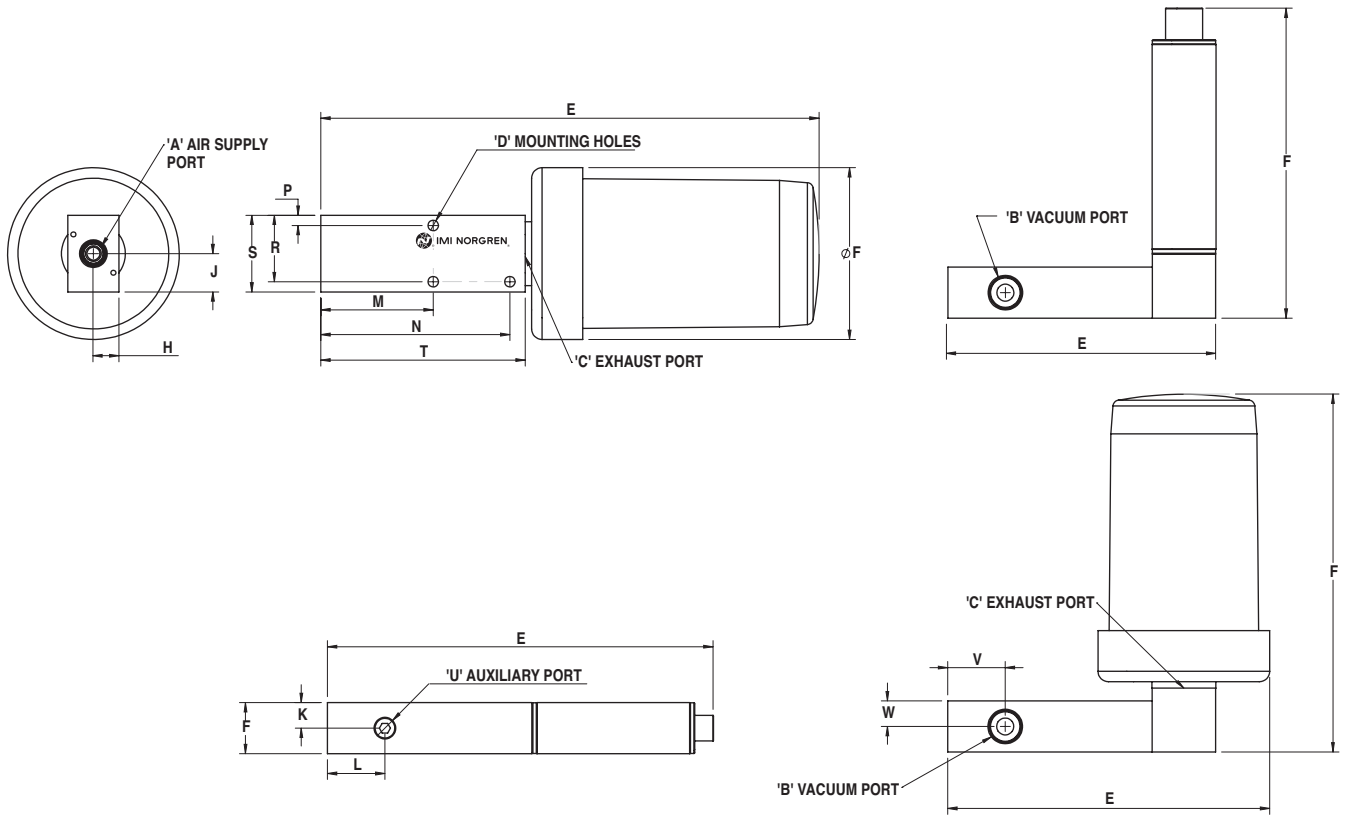
*Proper selection of vacuum cups depends on the application. Cups are available in various durometers, colors and materials. If you do not see what you are looking for, please consult factory
 *The fittings, cups, and spring levelers listed are a small selection of possible options please refer to the specific catalog section

● Dimensions inches (mm)



Model	Units	A	B	C	D	E	F	H	J	K	L	M	N	P	R	S	T	U	V	W	X	Y
NVP80-200*-S08A38	Imperial	1/4 NPTF	3/8 NPTF	3/8 NPTF	0.21	0.50	1.00	0.75	1.50	0.20	1.10	2.20	1.50	4.00	7.57	1/8 NPTF	0.50	1.13	3.36	3.46	1.12	0.50
NVP80-200*-S13A38	Imperial	1/4 NPTF	3/8 NPTF	3/8 NPTF	0.21	0.50	1.00	0.75	1.50	0.20	1.10	2.20	1.50	4.00	9.05	1/8 NPTF	0.50	1.13	3.36	3.46	1.12	0.50
NVP80-200*-S26A38	Imperial	1/4 NPTF	3/8 NPTF	3/8 NPTF	0.21	0.50	1.00	0.75	1.50	0.20	1.10	2.20	1.50	4.00	9.74	1/8 NPTF	0.50	1.13	3.36	3.46	1.12	0.50
NVPM80-200*-S08A38	(Metric)	(G 1/4)	(G 3/8)	(G 3/8)	(5.30)	(12.70)	(25.40)	(19.10)	(38.10)	(5.10)	(27.90)	(55.90)	(38.10)	(101.60)	(192.30)	G 1/8	(12.70)	(28.70)	(85.30)	(87.90)	(28.40)	(12.7)
NVPM80-200*-S13A38	(Metric)	(G 1/4)	(G 3/8)	(G 3/8)	(5.30)	(12.70)	(25.40)	(19.10)	(38.10)	(5.10)	(27.90)	(55.90)	(38.10)	(101.60)	(229.90)	G 1/8	(12.70)	(28.70)	(85.30)	(87.90)	(28.40)	(12.7)
NVPM80-200*-S26A38	(Metric)	(G 1/4)	(G 3/8)	(G 3/8)	(5.30)	(12.70)	(25.40)	(19.10)	(38.10)	(5.10)	(27.90)	(55.90)	(38.10)	(101.60)	(247.40)	G 1/8	(12.70)	(28.70)	(85.30)	(87.90)	(28.40)	(12.7)

● Dimensions inches (mm)



Model	Units	A	B	C	D	E	F	H	J	K	L	M	N	P	R	S	T	U	V	W
NVP80-250*-S27A00	Imperial	1/4 NPTF	3/8 NPTF	1/2 NPTF	0.21	6.30	7.00	0.50	0.75	0.50	1.13	2.20	3.70	0.20	1.30	1.50	4.00	1/8 NPTF	1.13	0.50
NVP80-250*-S37A00	Imperial	1/4 NPTF	3/8 NPTF	1/2 NPTF	0.21	9.75	3.36	0.50	0.75	0.50	1.13	2.20	3.70	0.20	1.30	1.50	4.00	1/8 NPTF	1.13	0.50
NVP80-250*-S10A00	Imperial	1/4 NPTF	3/8 NPTF	1/2 NPTF	0.21	7.54	1.00	0.50	0.75	0.50	1.13	2.20	3.70	0.20	1.30	1.50	4.00	1/8 NPTF	1.13	0.50
NVP80-250*-S11A00	Imperial	1/4 NPTF	3/8 NPTF	1/2 NPTF	0.21	5.24	6.06	0.50	0.75	0.50	1.13	2.20	3.70	0.20	1.30	1.50	4.00	1/8 NPTF	1.13	0.50
NVPM80-250*-S27A00	(Metric)	(G 1/4)	(G 3/8)	(G 1/2)	(5.30)	(160.00)	(177.90)	(12.70)	(19.10)	(12.70)	(28.60)	(55.90)	(94.00)	(5.10)	(33.00)	(38.10)	(101.60)	(G 1/8)	(28.60)	(12.70)
NVPM80-250*-S37A00	(Metric)	(G 1/4)	(G 3/8)	(G 1/2)	(5.30)	(247.70)	(85.30)	(12.70)	(19.10)	(12.70)	(28.60)	(55.90)	(94.00)	(5.10)	(33.00)	(38.10)	(101.60)	(G 1/8)	(28.60)	(12.70)
NVPM80-250*-S10A00	(Metric)	(G 1/4)	(G 3/8)	(G 1/2)	(5.30)	(191.50)	(25.40)	(12.70)	(19.10)	(12.70)	(28.60)	(55.90)	(94.00)	(5.10)	(33.00)	(38.10)	(101.60)	(G 1/8)	(28.60)	(12.70)
NVPM80-250*-S11A00	(Metric)	(G 1/4)	(G 3/8)	(G 1/2)	(5.30)	(133.10)	(153.90)	(12.70)	(19.10)	(12.70)	(28.60)	(55.90)	(94.00)	(5.10)	(33.00)	(38.10)	(101.60)	(G 1/8)	(28.60)	(12.70)

NVP80V

- High Productivity – non-clogging design reduces downtime
- Strong hold – powerful vacuum up to 28"Hg [948mbar]
- Mounts Easily – compact and lightweight
- Fast Response – installs close to vacuum point
- Efficient – minimal air consumption
- Reliable operation – straight-through design with no moving parts

Technical Data

Fluid
Filtered (100 Micron) unlubricated, non-corrosive dry gases

Operating Temperature
-100° to ~400° F (-73° to ~204°C)
20° to ~120° F (-7° to -49°C) (Valve)

Operating Pressure
80 PSI (5.5 bar) Standard or 60 PSI (4.1 bar)

Materials
Generator Body: Anodized Aluminum

Supply Line
3/8" OD (10mm)

Vacuum Line
3/8" OD (10mm)

Mounting Holes
Mounting holes accept 10-32[M5] screws

Electrical
24V -5% to 10% (VA/VD, VB/VE option)
12V -5% to 10% (VC/VF option)

Power Consumption (Watts)
1.6

Response Times
8

Cycle Rate (Cycles/second)
45

Average Valve Life
50

Electrical Connection
11.8" Flying Lead

LED Indicator with Manual Override
Yes

Control Valve
12V (VC/VF option) or 24V normally closed (VA/VD option) or 24V normally open (VB/VE option)

Performance Level Designations
"L", "X" 0-10"Hg [0 to 339mbar] for low vacuum/high flow applications
"M", "Y" 0-20"Hg [0 to 677mbar] for medium vacuum/high flow applications
"H", "Z" 0-28"Hg [0 to 948mbar] for high vacuum/standard flow applications

Product options
Standard (NVP80V)
Valve controlled blow-off (NVP80V)
Pneumatic blow-off (NVP8XV)
Multi-port (NVP80M)
Air Saver (NVP80C)

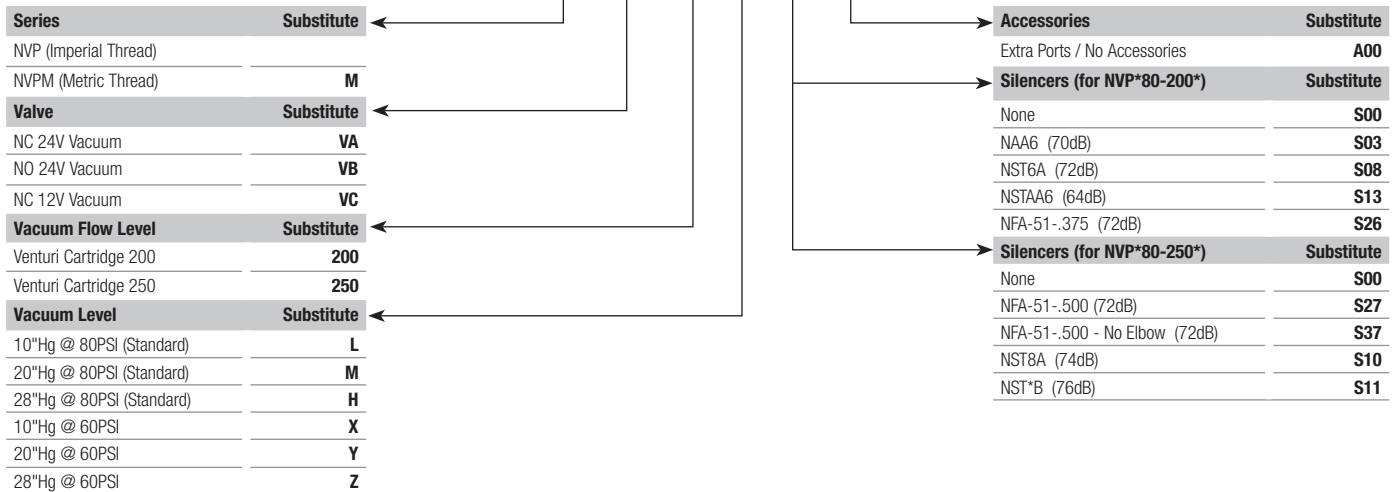


Standard Models

Accessories

Part number	Valve	Max. Vacuum Level	Max. Vacuum Flow	Air Consumption	Silencer
NVP80VA-200M-S08A00	NC 24V	20"Hg	6.00 SCFM	3.80 SCFM	NST6A Silencer
NVP80VA-200H-S08A00	NC 24V	28"Hg	5.40 SCFM	7.80 SCFM	NST6A Silencer
NVP80VA-250M-S10A00	NC 24V	20"Hg	9.50 SCFM	7.80 SCFM	NST6A Silencer
NVP80VA-250H-S10A00	NC 24V	28"Hg	9.00 SCFM	12.50 SCFM	NST6A Silencer

Option selector

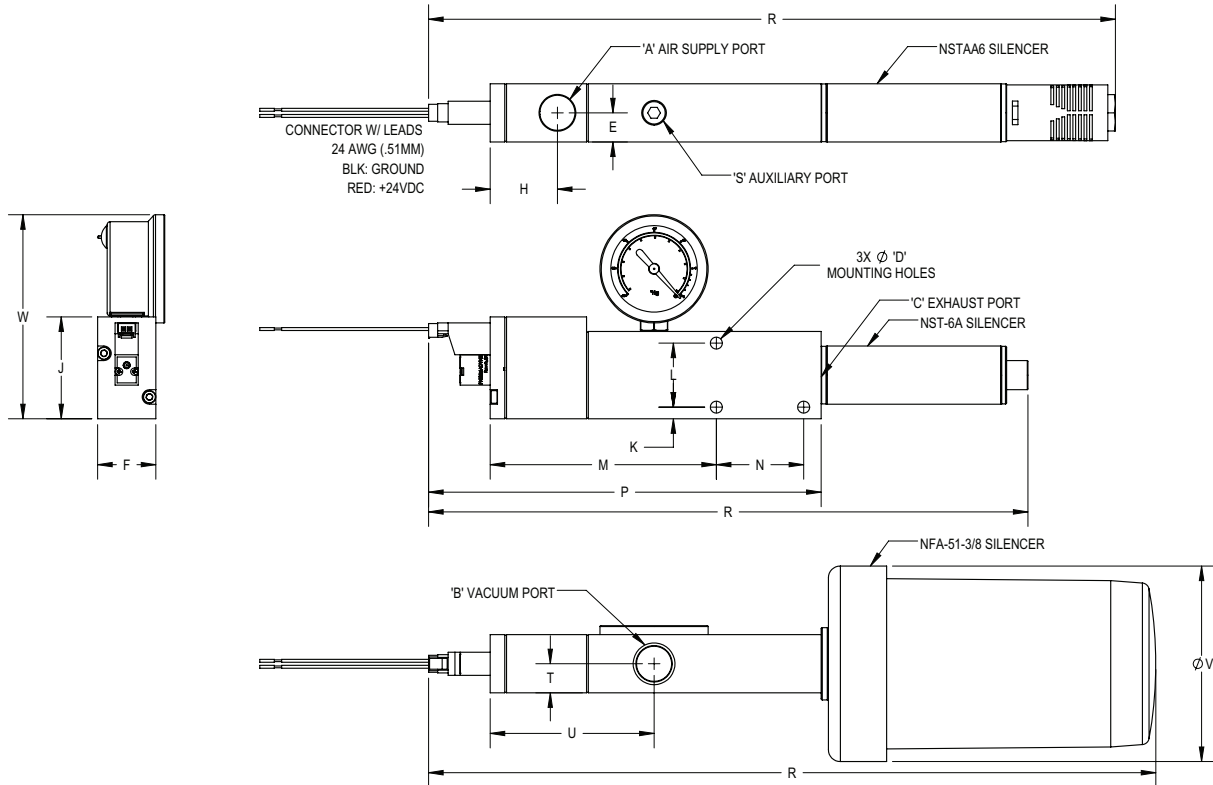


● Accessories

Model	Inline Fitting	Swivel Elbow Fitting	Vacuum Fitting	Bellows Cup	Flat Cup
NVP80-200M-S08A00	124250628	124470618	NVCF5-38M NVCF27-38M	NSM045****	NUC*****
NVP80-200H-S08A00	124250628	124470618	NVCF5-38M NVCF27-38M	NSM045****	NUC*****
NVP80-250M-S10A00	124250628	124470618	NVCF5-38M NVCF27-38M	NSM045****	NUC*****
NVP80-250H-S10A00	124250628	124470618	NVCF5-38M NVCF27-38M	NSM045****	NUC*****

*Proper selection of vacuum cups depends on the application. Cups are available in various durometers, colors and materials. If you do not see what you are looking for, please consult factory
 *The fittings, cups, and spring levelers listed are a small selection of possible options please refer to the specific catalog section

● Dimensions inches (mm)



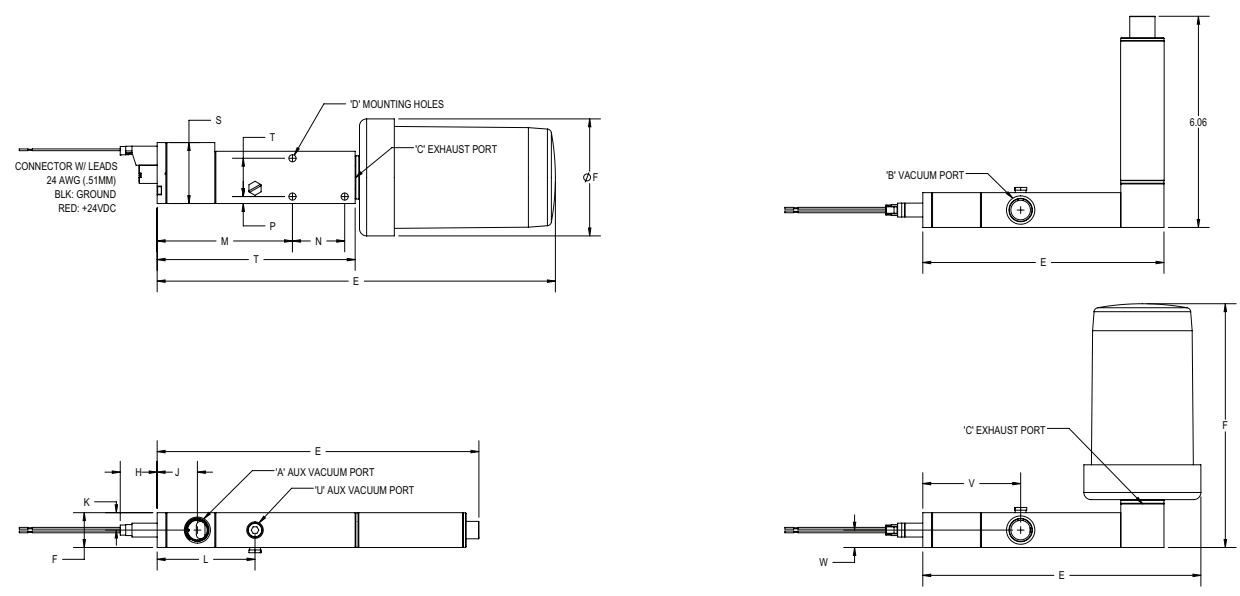
Model	Units	A	B	C	D	E	F	H	J	K	L	M	N	P	R	S	T	U	V	W
NVP80-200*-S03A38	Imperial	1/8 NPTF	3/8 NPTF	3/8 NPTF	0.21	0.50	1.00	1.16	1.75	0.20	1.10	3.89	1.50	6.75	11.80	1/8 NPT F	0.50	2.82	3.36	3.51
NVP80-200*-S08A38	Imperial	1/8 NPTF	3/8 NPTF	3/8 NPTF	0.21	0.50	1.00	1.16	1.75	0.20	1.10	3.89	1.50	6.75	10.30	1/8 NPT F	0.50	2.82	3.36	3.51
NVP80-200*-S13A38	Imperial	1/8 NPTF	3/8 NPTF	3/8 NPTF	0.21	0.50	1.00	1.16	1.75	0.20	1.10	3.89	1.50	6.75	12.50	1/8 NPT F	0.50	2.82	3.36	3.51
NVPM80-200*-S13A38	(Metric)	(G 1/8)	(G 3/8)	(G 3/8)	(5.30)	(12.7)	(25.4)	(29.5)	(44.4)	(5.1)	(27.9)	(98.8)	(38.10)	(171.4)	(299.7)	(G 1/8)	(12.7)	71.6	(85.3)	(89.2)
NVPM80-200*-S13A38	(Metric)	(G 1/8)	(G 3/8)	(G 3/8)	(5.30)	(12.7)	(25.4)	(29.5)	(44.4)	(5.1)	(27.9)	(98.8)	(38.10)	(171.4)	(261.6)	(G 1/8)	(12.7)	71.6	(85.3)	(89.2)
NVPM80-200*-S26A38	(Metric)	(G 1/8)	(G 3/8)	(G 3/8)	(5.30)	(12.7)	(25.4)	(29.5)	(44.4)	(5.1)	(27.9)	(98.8)	(38.10)	(171.4)	(317.5)	(G 1/8)	(12.7)	71.6	(85.3)	(89.2)

● Accessories

Model	Inline Fitting	Swivel Elbow Fitting	Vacuum Fitting	Bellows Cup	Flat Cup
NVP80-200M-S08A00	124250628	124470618	NVCF5-38M NVCF27-38M	NSM045****	NUC*****
NVP80-200H-S08A00	124250628	124470618	NVCF5-38M NVCF27-38M	NSM045****	NUC*****
NVP80-250M-S10A00	124250628	124470618	NVCF5-38M NVCF27-38M	NSM045****	NUC*****
NVP80-250H-S10A00	124250628	124470618	NVCF5-38M NVCF27-38M	NSM045****	NUC*****

*Proper selection of vacuum cups depends on the application. Cups are available in various durometers, colors and materials. If you do not see what you are looking for, please consult factory
 *The fittings, cups, and spring levelers listed are a small selection of possible options please refer to the specific catalog section

● Dimensions inches (mm)



Model	Units	A	B	C	D	E	F	H	J	K	L	M	N	P	R	S	T	V	W
NVP80-250*-S00A38	Imperial	3/8 NPTF	3/8 NPTF	1/2 NPTF	0.21	11.44	3.36	1.06	1.16	0.50	2.81	3.89	1.50	0.20	1.10	1.75	5.69	2.81	0.50
NVP80-250*-S27A38	Imperial	3/8 NPTF	3/8 NPTF	1/2 NPTF	0.21	7.99	7.00	1.06	1.16	0.50	2.81	3.89	1.50	0.20	1.10	1.75	5.69	2.81	0.50
NVP80-250*-S10A38	Imperial	3/8 NPTF	3/8 NPTF	1/2 NPTF	0.21	6.93	6.06	1.06	1.16	0.50	2.81	3.89	1.50	0.20	1.10	1.75	5.69	2.81	0.50
NVP80-250*-S11A38	Imperial	3/8 NPTF	3/8 NPTF	1/2 NPTF	0.21	9.24	1.00	1.06	1.16	0.50	2.81	3.89	1.50	0.20	1.10	1.75	5.69	2.81	0.50
NVPM80-250*-S08A38	(Metric)	(G 1/4)	(G 3/8)	(G 3/8)	(5.30)	(290.6)	(85.3)	(26.9)	(29.10)	(12.7)	(71.4)	(98.8)	(38.10)	(5.10)	(27.9)	44.4	(144.5)	(71.4)	(12.70)
NVPM80-250*-S13A38	(Metric)	(G 1/4)	(G 3/8)	(G 3/8)	(5.30)	(202.9)	(177.8)	(26.9)	(29.10)	(12.7)	(71.4)	(98.8)	(38.10)	(5.10)	(27.9)	44.4	(144.5)	(71.4)	(12.70)
NVPM80-250*-S10A38	(Metric)	(G 1/4)	(G 3/8)	(G 3/8)	(5.30)	(176.0)	(153.9)	(26.9)	(29.10)	(12.7)	(71.4)	(98.8)	(38.10)	(5.10)	(27.9)	44.4	(144.5)	(71.4)	(12.70)
NVPM80-250*-S11A38	(Metric)	(G 1/4)	(G 3/8)	(G 3/8)	(5.30)	(234.7)	(25.4)	(26.9)	(29.10)	(12.7)	(71.4)	(98.8)	(38.10)	(5.10)	(27.9)	44.4	(144.5)	(71.4)	(12.70)

NVP8X

Pneumatic Blow-off

- All in one vacuum and blow-off - only compressed air required
- High Productivity – non-clogging design reduces downtime
- Strong hold – powerful vacuum up to 28"Hg [948mbar]
- Mounts Easily – compact and lightweight
- Fast Response – installs close to vacuum point
- Efficient – minimal air consumption
- Reliable operation – straight-through design with no moving parts

Technical Data

Fluid
Filtered (100 Micron) unlubricated, non-corrosive dry gases

Operating Temperature
32° to ~125° F (0° to ~52°C)

Operating Pressure
80 PSI (5.5 bar) Standard or 60 PSI (4.1 bar)

Materials
Generator Body: Anodized Aluminum

Generator Options
B1 adjustable version allows the user to set the intensity of the blow-off from no blow-off to full blow-off

Cycle Rates
Up to 900/min

Blow-off Response Time
Instantaneous

Blow-off Duration
100 milliseconds (based on system design)

Orientation
Any

Supply Line
3/8" OD (10mm) tube

Vacuum Line
3/8" OD (10mm) tube

Mounting Holes
Mounting holes accept 10-32 [M5] screws

Control Valve
12V (VC/VF option) or 24V normally closed (VA/VD option) or 24V normally open (VB/VE option)

Performance Level Designations
"L", "X" 0-10"Hg [0 to 339mbar] for low vacuum/high flow applications
"M", "Y" 0-20"Hg [0 to 677mbar] for medium vacuum/high flow applications
"H", "Z" 0-28"Hg [0 to 948mbar] for high vacuum/standard flow applications

Product options
Standard (NVP80)
Valve controlled vacuum (NVP80)
Pneumatic blow-off (NVP8XV)
Multi-port (NVP80M)
Air Saver (NVP80C)



Standard Models

Accessories

Part number	Max. Vacuum Level	Max. Vacuum Flow	Air Consumption	Silencer
NVP8XB0-200M-S08A00	20"Hg	6.00 SCFM	4.80 SCFM	NST6A Silencer
NVP8XB0-200H-S08A00	28"Hg	5.40 SCFM	7.80 SCFM	NST6A Silencer
NVP8XB0-200M-S08A00	20"Hg	6.00 SCFM	4.80 SCFM	NST6A Silencer
NVP8XB0-200H-S08A00	28"Hg	5.40 SCFM	7.80 SCFM	NST6A Silencer

Option selector

NVP★8XB★-★★★-S★A00

Series	Substitute	Accessories	Substitute
NVP (Imperial Thread)		Extra Port if Available / No Accessories	A00
NVPM (Metric Thread)	M	Silencers	Substitute
Blowoff	Substitute	None	S00
Non-adjustable (Standard), No valve	B0	NAA6 (70dB)	S03
Adjustable, No valve	B1	NST6A (72dB)	S08
Non-Adjustable, NC 24V Vacuum	BA	NSTAA6 (64dB)	S13
Non-Adjustable, NO 24V Vacuum	BB	NFA-51-.375 (72dB)	S26
Non-Adjustable, NC 12V Vacuum	BC		
Adjustable, NC 24V Vacuum	BD		
Adjustable, NO 24V Vacuum	BE		
Adjustable, NC 12V Vacuum	BF		
Vacuum Flow Level	Substitute		
Venturi Cartridge 200	200		
Vacuum Level	Substitute		
10"Hg @ 80PSI (Standard)	L		
20"Hg @ 80PSI (Standard)	M		
28"Hg @ 80PSI (Standard)	H		
10"Hg @ 60PSI	X		
20"Hg @ 60PSI	Y		
28"Hg @ 60PSI	Z		

NVP8X

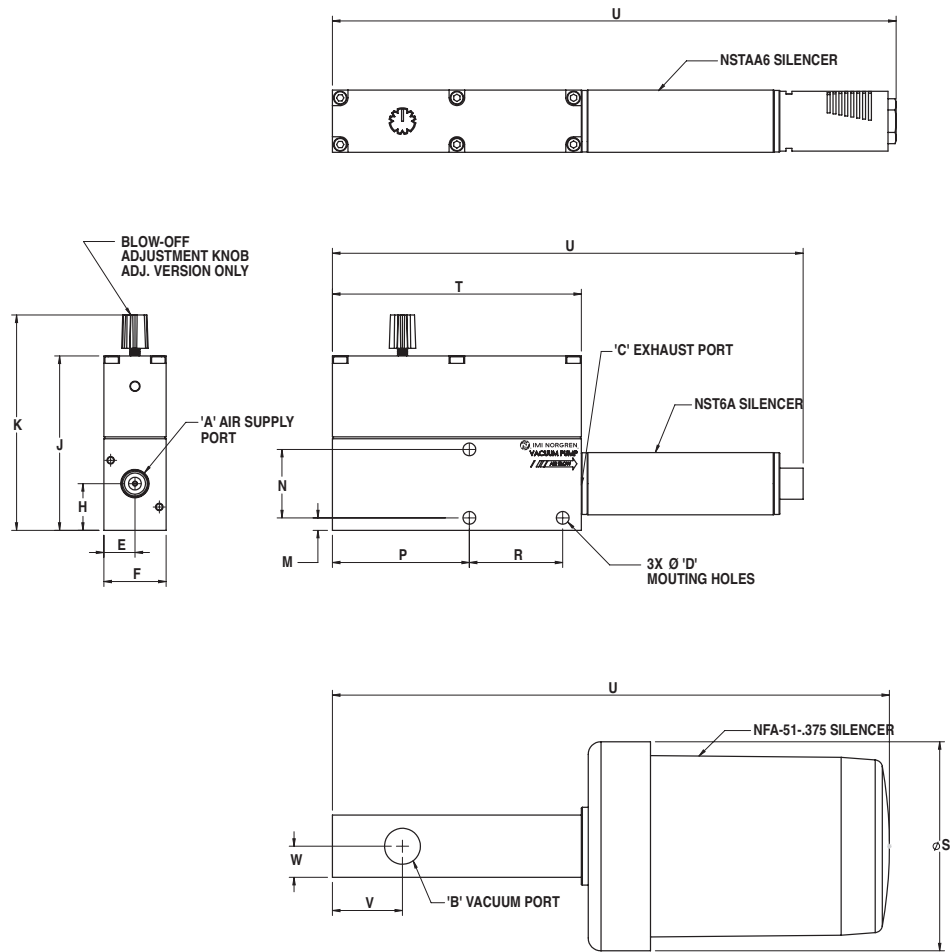
Pneumatic Blow-off

Accessories

Model	Inline Fitting	Swivel Elbow Fitting	Vacuum Fitting	Bellows Cup	Flat Cup
NVP8XB0-200M-S08A00	124250628	124470628	NVCF5-38M NVCF27-38M	NSM045****	NUC*****
NVP8XB0-200H-S08A00	124250628	124470628	NVCF5-38M NVCF27-38M	NSM045****	NUC*****

*Proper selection of vacuum cups depends on the application. Cups are available in various durometers, colors and materials. If you do not see what you are looking for, please consult factory. The fittings, cups, and spring levelers listed are a small selection of possible options please refer to the specific catalog section

Dimensions inches (mm)



Model	Units	A	B	C	D	E	F	H	J	K*	M	N	P	R	S	T	U	V	W
NVP8XB0-****-S08A00	Imperial	1/4 NPTF	3/8 NPTF	3/8 NPTF	0.21	0.50	1.00	0.75	2.80	3.46	0.20	1.10	2.20	1.50	3.36	4.00	7.56	1.13	0.50
NVP8XB0-****-S13A00	Imperial	1/4 NPTF	3/8 NPTF	3/8 NPTF	0.21	0.50	1.00	0.75	2.80	3.46	0.20	1.10	2.20	1.50	3.36	4.00	9.06	1.13	0.50
NVP8XB0-****-S26A00	Imperial	1/4 NPTF	3/8 NPTF	3/8 NPTF	0.21	0.50	1.00	0.75	2.80	3.46	0.20	1.10	2.20	1.50	3.36	4.00	9.70	1.13	0.50
NVPM8XB0-****-S08A00	(Metric)	(G 1/4)	(G 3/8)	(G 3/8)	(5.30)	(12.70)	(25.40)	(19.10)	(71.10)	(87.90)	(5.10)	(27.90)	(55.90)	(38.10)	(85.30)	(101.60)	(192.00)	(28.60)	(12.70)
NVPM8XB0-****-S13A00	(Metric)	(G 1/4)	(G 3/8)	(G 3/8)	(5.30)	(12.70)	(25.40)	(19.10)	(71.10)	(87.90)	(5.10)	(27.90)	(55.90)	(38.10)	(85.30)	(101.60)	(230.10)	(28.60)	(12.70)
NVPM8XB0-****-S26A00	(Metric)	(G 1/4)	(G 3/8)	(G 3/8)	(5.30)	(12.70)	(25.40)	(19.10)	(71.10)	(87.90)	(5.10)	(27.90)	(55.90)	(38.10)	(85.30)	(101.60)	(246.40)	(28.60)	(12.70)

NVP8X

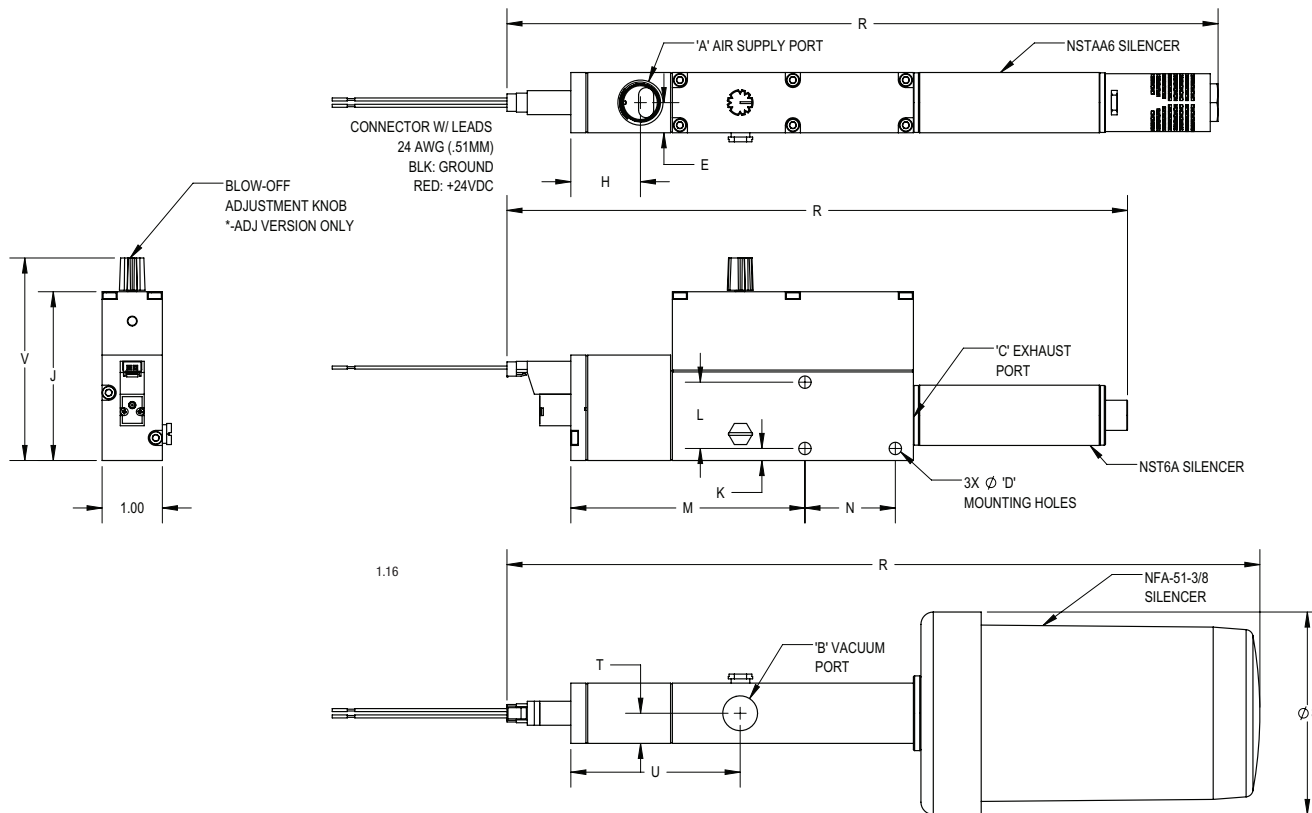
Pneumatic Blow-off

● Accessories

Model	Inline Fitting	Swivel Elbow Fitting	Vacuum Fitting	Bellows Cup	Flat Cup
NVP8XB0-200M-S08A00	124250628	124470628	NVCF5-38M NVCF27-38M	NSM045****	NUC*****
NVP8XB0-200H-S08A00	124250628	124470628	NVCF5-38M NVCF27-38M	NSM045****	NUC*****

*Proper selection of vacuum cups depends on the application. Cups are available in various durometers, colors and materials. If you do not see what you are looking for, please consult factory*The fittings, cups, and spring levelers listed are a small selection of possible options please refer to the specific catalog section

● Dimensions inches (mm)



Model	Units	A	B	C	D	E	F	H	J	K*	M	N	R	S	T	U	V
NVP8XBA-****-S08A00	Imperial	3/8 NPTF	1/4 NPTF	3/8 NPTF	0.21	0.50	1.00	1.16	2.80	0.20	3.89	1.50	10.30	3.36	0.50	2.81	3.36
NVP8XBA-****-S13A00	Imperial	3/8 NPTF	1/4 NPTF	3/8 NPTF	0.21	0.50	1.00	1.16	2.80	0.20	3.89	1.50	11.80	3.36	0.50	2.81	3.36
NVP8XBA-****-S26A00	Imperial	3/8 NPTF	1/4 NPTF	3/8 NPTF	0.21	0.50	1.00	1.16	2.80	0.20	3.89	1.50	12.50	3.36	0.50	2.81	3.36
NVPM8XBA-****-S08A00	(Metric)	(G 3/8)	(G 1/4)	(G 3/8)	(5.30)	(12.70)	(25.40)	(29.5)	(71.1)	(5.10)	(98.8)	(38.10)	(261.6)	(85.30)	(12.7)	(71.4)	(85.3)
NVPM8XBA-****-S13A00	(Metric)	(G 3/8)	(G 1/4)	(G 3/8)	(5.30)	(12.70)	(25.40)	(29.5)	(71.1)	(5.10)	(98.8)	(38.10)	(299.7)	(85.30)	(12.7)	(71.4)	(85.3)
NVPM8XBA-****-S26A00	(Metric)	(G 3/8)	(G 1/4)	(G 3/8)	(5.30)	(12.70)	(25.40)	(29.5)	(71.1)	(5.10)	(98.8)	(38.10)	(317.5)	(85.30)	(12.7)	(71.4)	(85.3)

NVP80M

Multi-port

- Multi-port version - distribute vacuum to multiple locations
- High Productivity – non-clogging design reduces downtime
- Strong hold – powerful vacuum up to 28"Hg [948mbar]
- Mounts Easily – compact and lightweight
- Fast Response – installs close to vacuum point
- Efficient – minimal air consumption
- Reliable operation – straight-through design with no moving parts

Technical Data

Fluid
Filtered (100 Micron) unlubricated, non-corrosive dry gases

Operating Temperature
-100° to ~400° F (-73° to ~204°C)
20° to 120° F (-7° to 49°C) (Valve)

Operating Pressure
80 PSI (5.5 bar) Standard or
60 PSI (4.1 bar)

Materials
Generator Body: Anodized Aluminum

Supply Line
3/8" OD (10mm)

Vacuum Line
3/8" OD (10mm)

Mounting Holes
Mounting holes accept 10-32 [M5] screws

Electrical
24V - 5% to 10% (MA/MB option)
12V - 5% to 10% (MC option)

Power Consumption
1.6 watts

Response Times
8 millisecond

Average Valve Life
50 million cycles

Electrical Connection
11.8" Flying Lead

LED Indicator with Manual Override
Yes

Control Valve
12V (MC option) or 24V normally closed (MA option) or 24V normally open (MB option)

Performance Level Designations
"L", "X" 0-10"Hg [0 to 339mbar] for low vacuum/high flow applications
"M", "Y" 0-20"Hg [0 to 677mbar] for medium vacuum/high flow applications
"H", "Z" 0-28"Hg [0 to 948mbar] for high vacuum/standard flow applications

Product options
Standard (NVP80)
Valve controlled vacuum (NVP80)
Pneumatic blow-off (NVP8XV)
Multi-port (NVP80M)
Air Saver (NVP80C)



Standard Models

Part number	Valve	Max. Vacuum Level	Max. Vacuum Flow	Air Consumption	Silencer
NVP80M0-200M-S08A38	None	20"Hg	6.00 SCFM	4.80 SCFM	NST6A Silencer
NVP80M0-200H-S08A38	None	28"Hg	5.40 SCFM	7.80 SCFM	NST6A Silencer
NVP80M0-250M-S10A38	None	20"Hg	9.50 SCFM	7.80 SCFM	NST8A Silencer
NVP80M0-250H-S10A38	None	28"Hg	9.00 SCFM	12.50 SCFM	NST8A Silencer
NVP80MA-200M-S08A38	NC 24V	20"Hg	6.00 SCFM	4.80 SCFM	NST8A Silencer
NVP80MA-200H-S08A38	NC 24V	28"Hg	5.40 SCFM	7.80 SCFM	NST6A Silencer
NVP80MA-250M-S10A38	NC 24V	20"Hg	9.50 SCFM	7.80 SCFM	NST8A Silencer
NVP80MA-250H-S10A38	NC 24V	28"Hg	9.00 SCFM	12.50 SCFM	NST8A Silencer

Accessories

Option selector

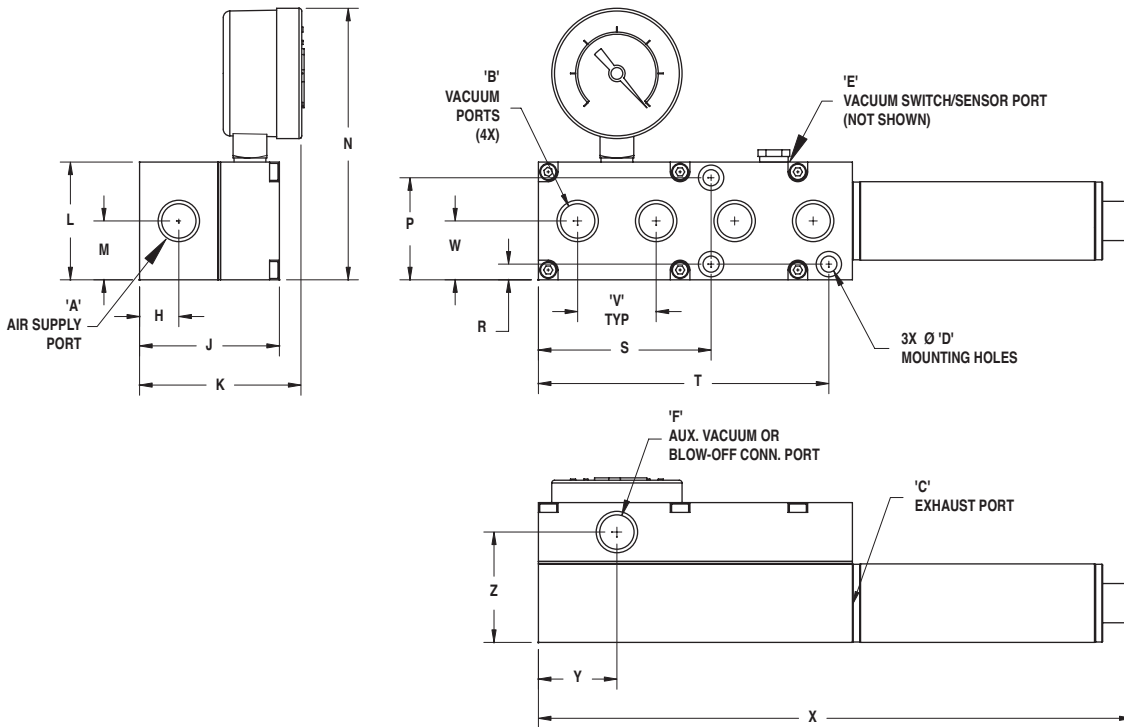
Series	Substitute	NVP★80M★-★★★★-S★★A★★		Accessories	Substitute
NVP (Imperial Thread)				Extra Ports / NVG-150-GF	A38
NVPM (Metric Thread)	M			Extra Ports / NVTMV-QD-6 / NVG-150-GF	A22
Valve	Substitute			Extra Ports / NVSMN-QD-6 / NVG-150-GF	A24
Multi-Port, No Valve	MO			Extra Ports / NVSMP-QD-6 / NVG-150-GF	A26
Multi-Port, NC 24V Vacuum	MA			Silencers (for NVP*80-200*)	Substitute
Multi-Port, NO 24V Vacuum	MB			None	S00
Multi-Port, NC 12V Vacuum	MC			NAA6 (70dB)	S03
Vacuum Flow Level	Substitute			NST6A (72dB)	S08
Venturi Cartridge 200	200			NSTAA6 (64dB)	S13
Venturi Cartridge 250	250			Silencers (for NVP*80-250*)	
Vacuum Level	Substitute			NST8A (74dB)	S10
10"Hg @ 80PSI (Standard)	L				
20"Hg @ 80PSI (Standard)	M				
28"Hg @ 80PSI (Standard)	H				
10"Hg @ 60PSI	X				
20"Hg @ 60PSI	Y				
28"Hg @ 60PSI	Z				

● Accessories

Model	Inline Fitting	Pneufit Swivel Male Elbow	Vacuum Swivel Fitting
NVP80M0-200M-S08A00	124250628	124470628	124470628
NVP80M0-200H-S08A00	124250628	124470628	124470628
NVP80M0-250M-S10A00	124250638	124470638	124470628
NVP80M0-250H-S10A00	124250638	124470638	124470628

*Proper selection of vacuum cups depends on the application. Cups are available in various diameters, colors and materials. If you do not see what you are looking for, please consult factory
*The fittings, cups, and spring levelers listed are a small selection of possible options please refer to the specific catalog section

● Dimensions inches (mm)



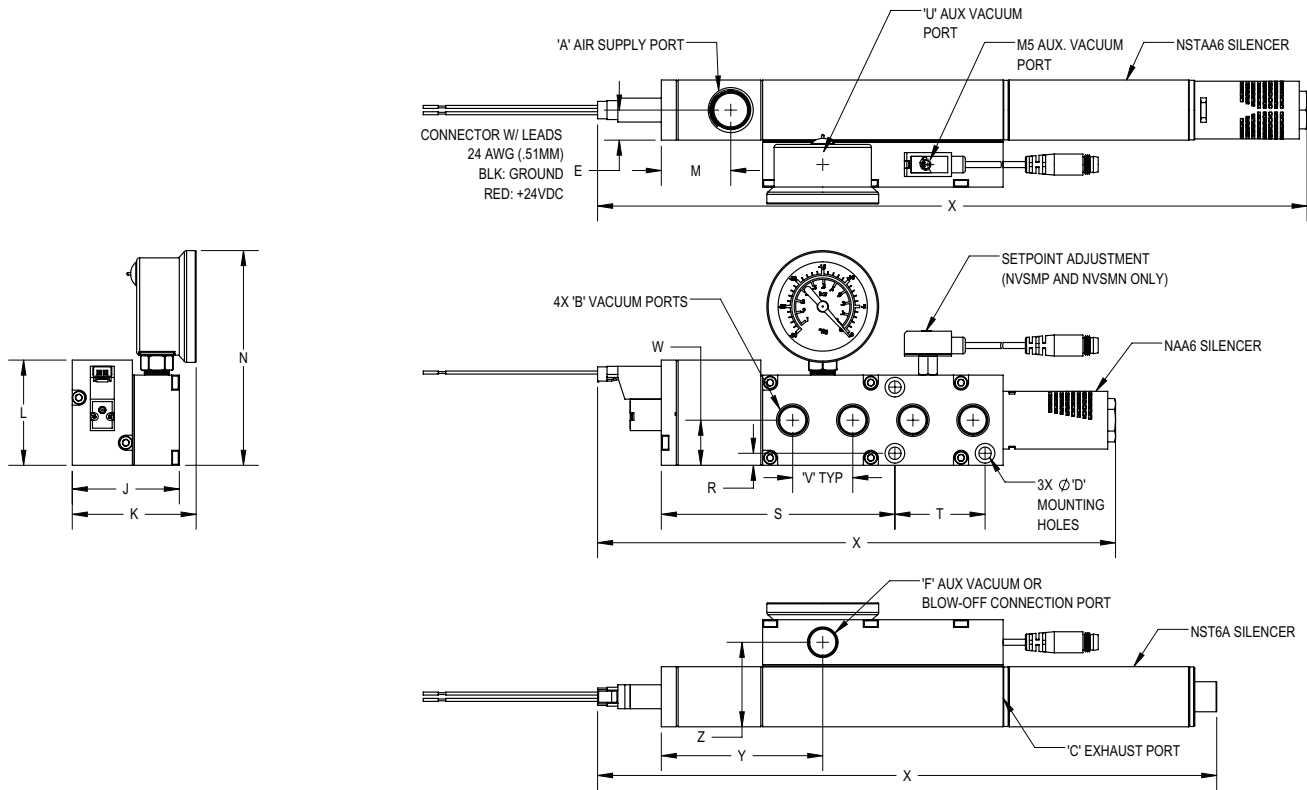
Model	Units	A	B	C	D	E	F	H	J	K	L	M	N	P	R	S	T	V	W	X	Y	Z
NVP80M0-200*-S03A38	Imperial	1/4 NPTF	1/4 NPTF	3/8 NPTF	0.21	10-32	1/4 NPTF	0.50	1.78	2.06	1.50	0.75	3.46	1.30	0.20	2.20	3.70	1.00	0.75	6.00	1.00	1.41
NVP80M0-200*-S06A38	Imperial	1/4 NPTF	1/4 NPTF	3/8 NPTF	0.21	10-32	1/4 NPTF	0.50	1.78	2.06	1.50	0.75	3.46	1.30	0.20	2.20	3.70	1.00	0.75	7.56	1.00	1.41
NVP80M0-200*-S13A38	Imperial	1/4 NPTF	1/4 NPTF	3/8 NPTF	0.21	10-32	1/4 NPTF	0.50	1.78	2.06	1.50	0.75	3.46	1.30	0.20	2.20	3.70	1.00	0.75	9.00	1.00	1.41
NVPM80M0-200*-S03A38	(Metric)	(G 1/4)	(G 1/4)	(G 3/8)	(5.2)	(M5)	(G 1/4)	(12.70)	(45.20)	(52.20)	(38.10)	(19.10)	(87.90)	(33.00)	(5.10)	(55.90)	(94.00)	(25.40)	(19.10)	(152.40)	(25.40)	(35.70)
NVPM80M0-200*-S06A38	(Metric)	(G 1/4)	(G 1/4)	(G 3/8)	(5.2)	(M5)	(G 1/4)	(12.70)	(45.20)	(52.20)	(38.10)	(19.10)	(87.90)	(33.00)	(5.10)	(55.90)	(94.00)	(25.40)	(19.10)	(192.00)	(25.40)	(35.70)
NVPM80M0-200*-S13A38	(Metric)	(G 1/4)	(G 1/4)	(G 3/8)	(5.2)	(M5)	(G 1/4)	(12.70)	(45.20)	(52.20)	(38.10)	(19.10)	(87.90)	(33.00)	(5.10)	(55.90)	(94.00)	(25.40)	(19.10)	(228.60)	(25.40)	(35.70)

● Accessories

Model	Inline Fitting	Pneufit Swivel Male Elbow	Vacuum Swivel Fitting
NVP80M0-200M-S08A00	124250628	124470628	124470628
NVP80M0-200H-S08A00	124250628	124470628	124470628
NVP80M0-250M-S10A00	124250638	124470638	124470628
NVP80M0-250H-S10A00	124250638	124470638	124470628

*Proper selection of vacuum cups depends on the application. Cups are available in various durometers, colors and materials. If you do not see what you are looking for, please consult factory
 *The fittings, cups, and spring levelers listed are a small selection of possible options please refer to the specific catalog section

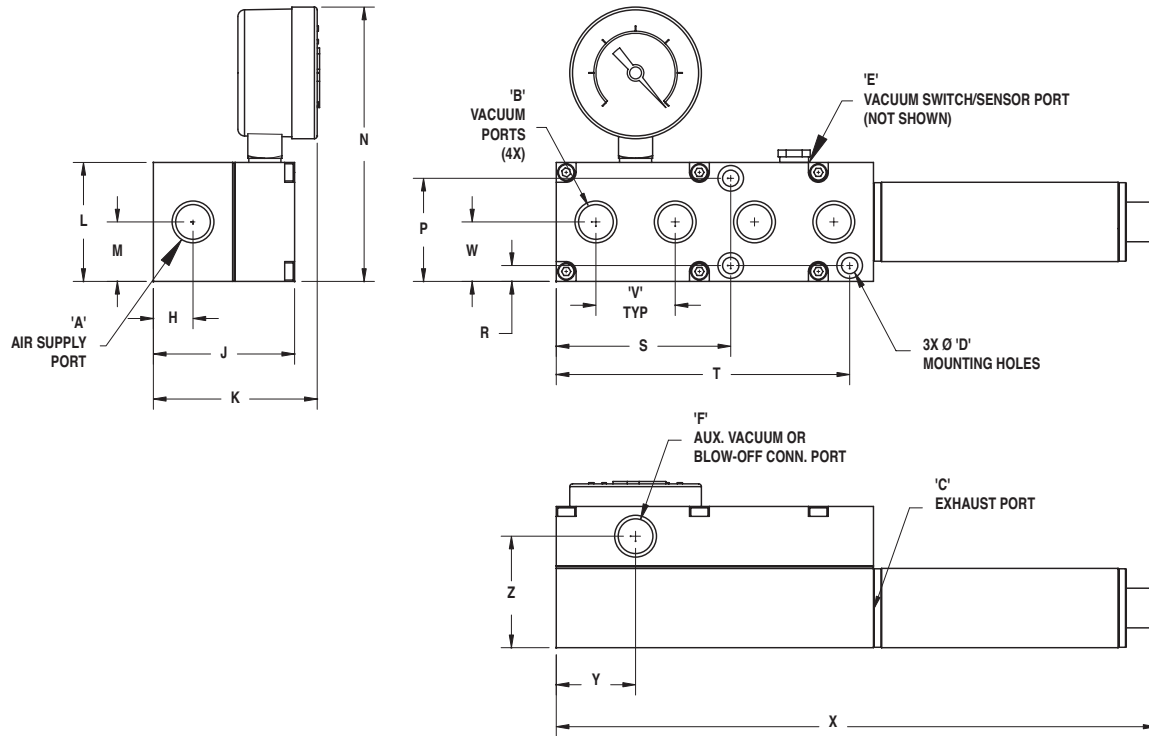
● Dimensions inches (mm)



Model	Units	A	B	C	D	E	F	J	K	L	M	N	P	R	S	T	U	V	W	X	Y	Z
NVP80MA-200*-S03A38	Imperial	3/8 NPTF	1/4 NPTF	3/8 NPTF	0.21	0.50	1/4 NPTF	1.78	2.06	1.75	1.16	3.51	3.57	0.20	3.89	1.50	1/8 NPTF	1.00	0.75	11.8	2.69	1.41
NVP80MA-200*-S08A38	Imperial	3/8 NPTF	1/4 NPTF	3/8 NPTF	0.21	0.50	1/4 NPTF	1.78	2.06	1.75	1.16	3.51	3.57	0.20	3.89	1.50	1/8 NPTF	1.00	0.75	10.3	2.69	1.41
NVP80MA-200*-S13A38	Imperial	3/8 NPTF	1/4 NPTF	3/8 NPTF	0.21	0.50	1/4 NPTF	1.78	2.06	1.75	1.16	3.51	3.57	0.20	3.89	1.50	1/8 NPTF	1.00	0.75	8.62	2.69	1.41
NVPM80MA-200*-S03A38	(Metric)	(G 3/8)	(G 1/4)	(G 3/8)	(5.3)	(12.7)	(G 1/4)	(45.20)	(52.30)	(44.5)	(19.10)	(89.2)	(90.7)	(5.10)	(98.8)	(38.1)	G1/8	(25.40)	(19.10)	(299.7)	(68.3)	(35.80)
NVPM80MA-200*-S08A38	(Metric)	(G 3/8)	(G 1/4)	(G 3/8)	(5.3)	(12.7)	(G 1/4)	(45.20)	(52.30)	(44.5)	(19.10)	(89.2)	(90.7)	(5.10)	(98.8)	(38.1)	G1/8	(25.40)	(19.10)	(261.6)	(68.3)	(35.80)
NVPM80MA-200*-S13A38	(Metric)	(G 3/8)	(G 1/4)	(G 3/8)	(5.3)	(12.7)	(G 1/4)	(45.20)	(52.30)	(44.5)	(19.10)	(89.2)	(90.7)	(5.10)	(98.8)	(38.1)	G1/8	(25.40)	(19.10)	(218.9)	(68.3)	(35.80)

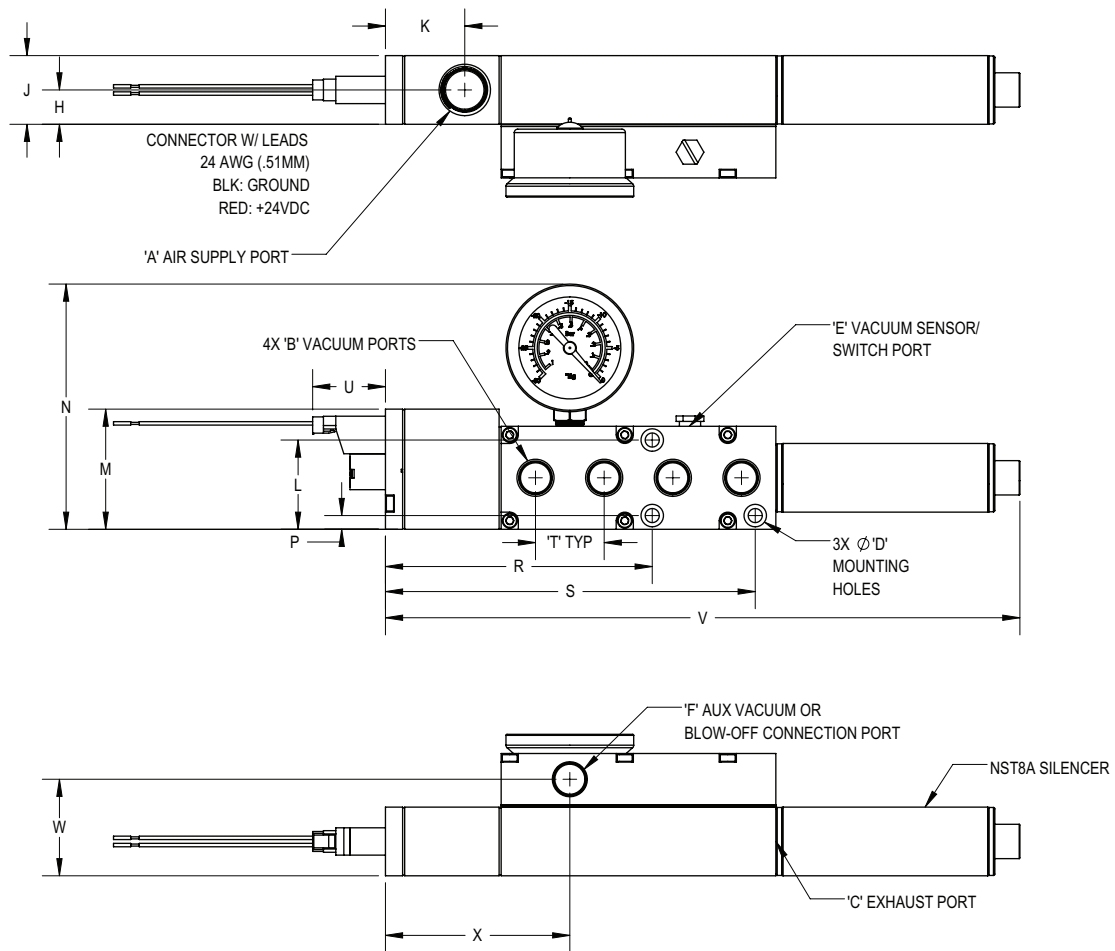
NVP80M
Multi-port

● Dimensions inches (mm)



Model	Units	A	B	C	D	E	F	H	J	K	L	M	N	P	R	S	T	V	W	X	Y	Z
NVP8XB0-250*-S03A38	Imperial	3/8 NPTF	1/4 NPTF	1/2 NPTF	0.21	10-32	1/4 NPTF	0.50	1.78	2.07	1.50	0.75	3.46	1.30	0.20	2.20	3.70	1.00	0.75	7.56	1.00	1.41
NVPM8XB0-250*-S03A38	(Metric)	(G 3/8)	(G 1/4)	(G 1/2)	(5.20)	M5	(G 1/4)	(12.70)	(45.20)	(52.50)	(38.10)	(19.10)	(87.90)	(33.00)	(5.10)	(55.90)	(94.00)	(25.40)	(19.10)	(192.10)	(25.40)	(35.70)

● Dimensions inches (mm)



Model	Units	A	B	C	D	E	F	H	J	K	L	M	N	P	R	S	T	V	W	X
NVP8XBA-250*-S03A38	Imperial	3/8 NPTF	1/4 NPTF	3/8 NPTF	0.21	10-32	1/4 NPTF	0.50	1.00	1.16	1.30	1.75	3.57	0.20	3.89	5.39	1.00	9.24	1.41	2.69
NVPM8XBA-250*-S03A38	(Metric)	(G 3/8)	(G 1/4)	(G 3/8)	(5.30)	M5	(G 1/4)	(12.70)	(25.4)	(29.5)	(33.0)	(44.5)	(90.7)	(5.10)	(98.8)	(136.9)	(25.4)	(234.7)	(35.8)	(68.3)

NVP80C

Air Saver

- Energy efficient – compressed air on only when needed, automatic shut-off
- High Productivity – non-clogging design reduces downtime
- Strong hold – powerful vacuum up to 28" Hg [948mbar]
- Mounts Easily – compact and lightweight
- Fast Response – installs close to vacuum point
- Efficient – minimal air consumption
- Reliable operation – straight-through design with no moving parts

Technical Data

Fluid
Filtered (100 Micron) unlubricated, non-corrosive dry gases

Operating Temperature
-30° to ~250° F (-34° to 121°C)

Operating Pressure
80 PSI (5.5 bar) Standard or 3/8" OD (10mm) for sizes 200 and 250

Materials
Generator Body: Anodized Aluminum

Supply/Vacuum Line
3/8" OD (10mm) for size 200
1/2" OD (12mm) for size 250

Mounting Holes
Mounting holes accept 10-32 [M5] screws

Control Valve
3 way/2 position (faster part release), minimum orifice – 0.125" [3mm]

Performance Level Designations
"M", "Y" 0-20" Hg [0 to 677mbar] for medium vacuum/high flow applications
"H", "Z" 0-28" Hg [0 to 948mbar] for high vacuum/standard flow applications

Generator Selection

1. Determine the desired evacuation time (speed)
2. Calculate the total volume of air to be evacuated in the system including vacuum lines, vessel/cavity size, cups, etc.
3. Determine the desired vacuum level, "Hg/mbar

Application ex.: Evacuate 2 cu.ft. of air in 1 minute (60 sec) at a vacuum level of 21" Hg
Formula: Time (60 sec)/Cu. ft (2) = 30 seconds per cu.ft. (evacuation speed)

Product options

- Standard (NVP80)
- Valve controlled vacuum (NVP80)
- Pneumatic blow-off (NVP8XV)
- Multi-port (NVP80M)
- Air Saver (NVP80C)



Standard Models

Part number	Max. Vacuum Level	Max. Vacuum Flow	Air Consumption	Silencer
NVP80C0-200M-S08A38	20" Hg	6.00 SCFM	4.80 SCFM	NST6A Silencer
NVP80C0-200H-S08A38	28" Hg	5.40 SCFM	7.80 SCFM	NST6A Silencer
NVP80C0-250M-S27A38	20" Hg	9.50 SCFM	7.80 SCFM	NFA-51-1/2 Silencer
NVP80C0-250H-S27A38	28" Hg	9.00 SCFM	12.50 SCFM	NFA-51-1/2 Silencer

Accessories

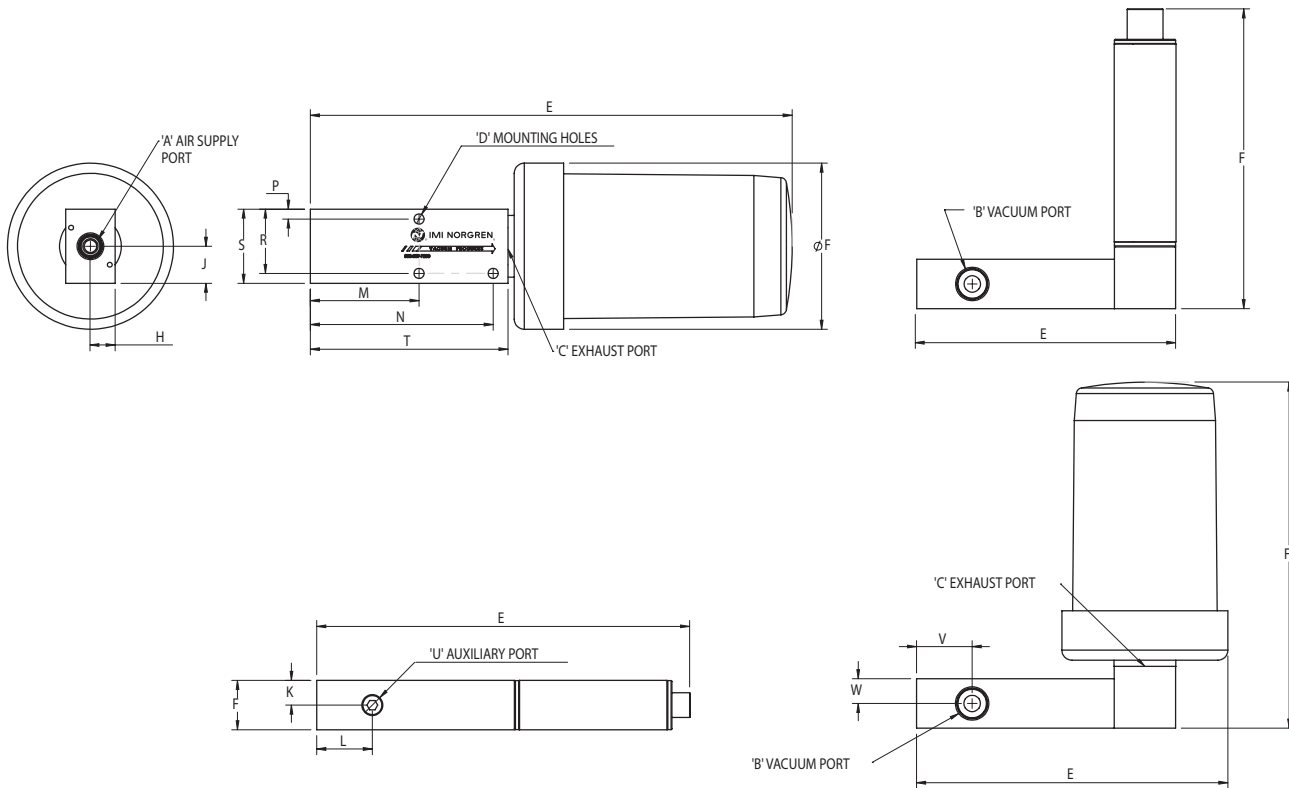
● Option selector

NVP★80C0-★★★-S08A00

Series	Substitute
NVP (Imperial Thread)	
NVPM (Metric Thread)	M
Vacuum Flow Level	Substitute
Venturi Cartridge 200	200
Venturi Cartridge 250	250
Vacuum Level	Substitute
20"Hg @ 80PSI (Standard)	M
28"Hg @ 80PSI (Standard)	H
20"Hg @ 60PSI	Y
28"Hg @ 60PSI	Z

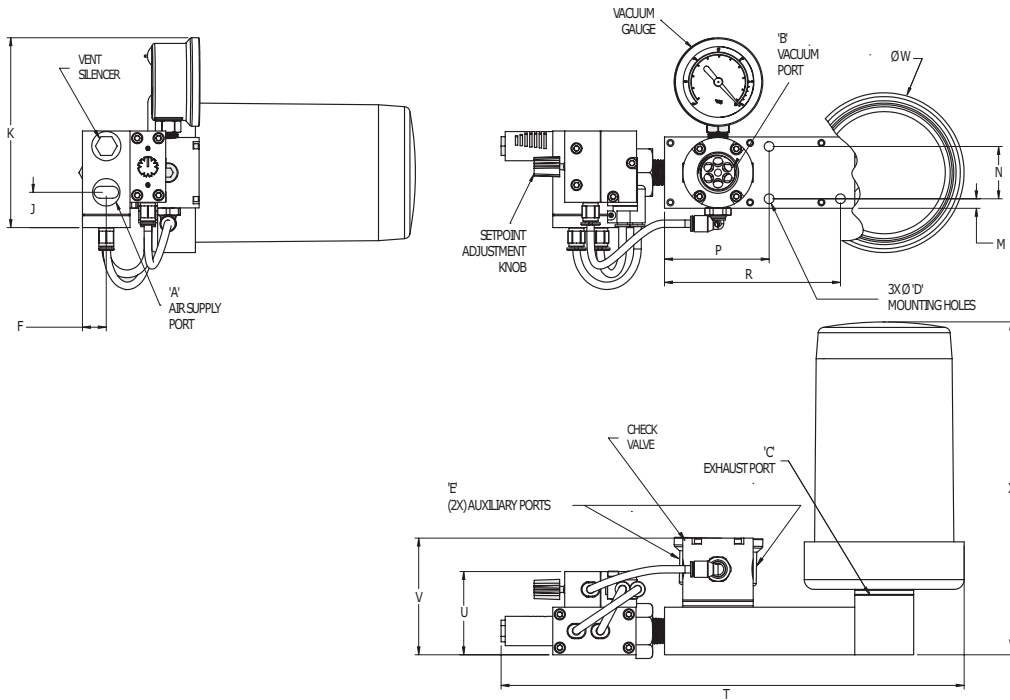
Accessories	Substitute
Extra Ports / NVG-150-GF	A38
Silencers	Substitute
NST6A (72dB)	S08
NFA-51-1/2	S27

● Dimensions inches (mm)



Model	Units	A	B	C	D	E	F	J	K	M	N	P	R	T	U	V	W
NVP80C0-200*-S08A38	Imperial	1/8 NPTF	1/2 NPTF	3/8 NPTF	0.21	1/8 NPTF	0.50	0.34	3.49	0.20	1.30	2.20	3.70	10.41	1.60	2.30	1.00
NVPM80C0-200*-S08A38	(Metric)	(G 1/8)	(G 1/2)	(G 3/8)	(5.20)	(G 1/8)	(12.7)	(8.60)	(88.60)	(5.10)	(33.00)	(55.90)	(94.00)	(264.50)	(40.60)	(58.40)	(25.40)

● Dimensions inches (mm)



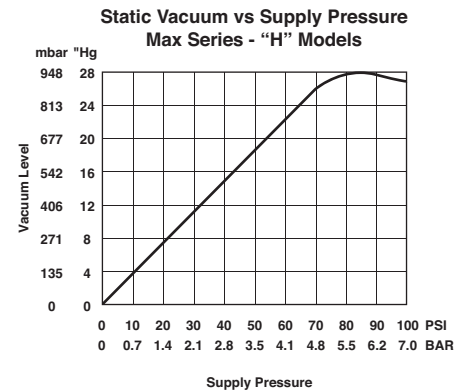
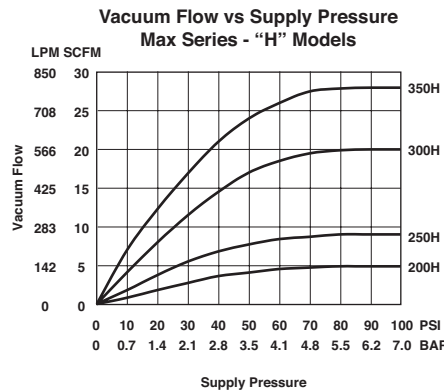
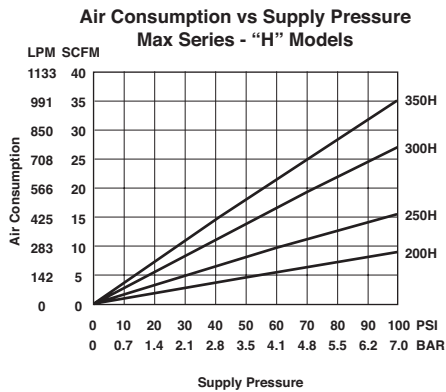
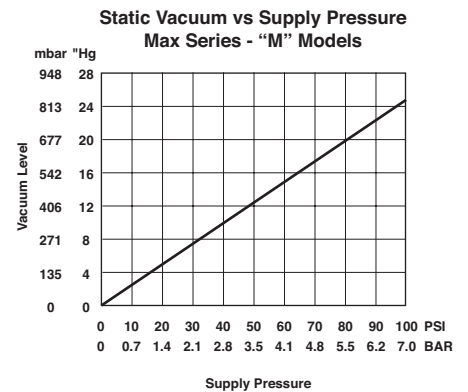
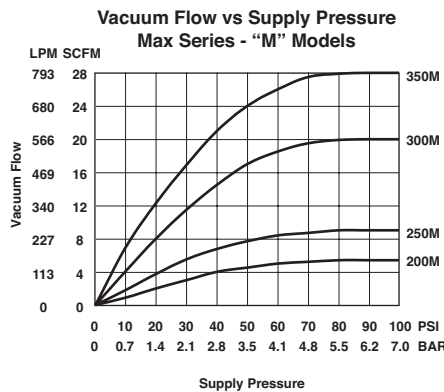
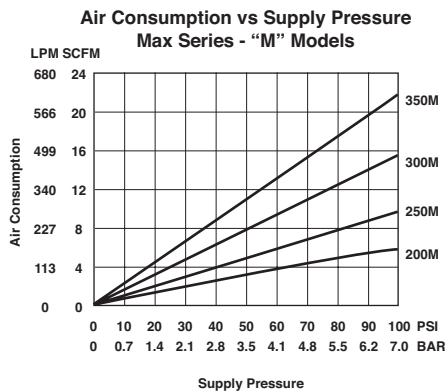
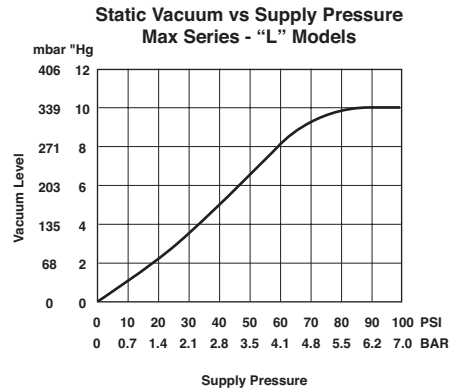
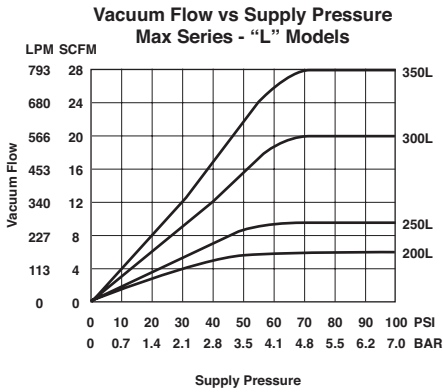
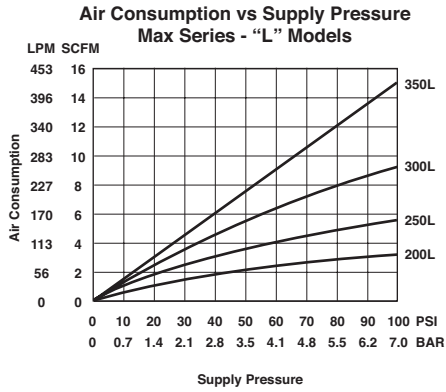
Model	Units	A	B	C	D	E	F	J	K	M	N	P	R	T	U	V	W	X
NVP80C-250*-S27A38	Imperial	3/8 NPTF	1/2 NPTF	1/2 NPTF	0.21	1/8 NPTF	0.50	0.74	3.90	0.20	1.30	2.20	3.70	9.20	1.72	2.30	3.23	7.00
NVPM80C-250*-S27A38	Metric	(G 3/8)	(G 1/2)	(G 1/2)	(5.30)	(G 1/8)	(12.70)	(18.90)	(99.00)	(5.10)	(33.00)	(55.90)	(94.00)	(233.70)	(43.70)	(58.40)	(82.00)	(177.80)

● Performance Data

Model	Air Consumption SCFM (L/min)	Vacuum Level "Hg (mbar)	0"Hg (0)	3"Hg (102)	6"Hg (203)	9"Hg (305)	10"Hg (339)	12"Hg (406)	15"Hg (508)	18"Hg (609)	20"Hg (677)	21"Hg (711)	24"Hg (813)	27"Hg (914)	28"Hg (948)
200L	2.80 (79.3)	Vacuum Flow SCFM (L/min)	6.00 (169.90)	5.80 (164.20)	4.30 (121.80)	1.70 (48.10)	0 (0)	- (-)	- (-)	- (-)	- (-)	- (-)	- (-)	- (-)	- (-)
		Evacuation time (seconds)	0 (0)	0.77 (0)	2.05 (0.10)	4.62 (0.20)	13.34 (0.50)	- (-)	- (-)	- (-)	- (-)	- (-)	- (-)	- (-)	- (-)
250L	4.80 (135.9)	Vacuum Flow SCFM (L/min)	9.50 (269)	7.90 (223.70)	5.70 (161.40)	2.20 (62.30)	0 (0)	- (-)	- (-)	- (-)	- (-)	- (-)	- (-)	- (-)	- (-)
		Evacuation time (seconds)	0 (0)	0.52 (0)	1.28 (0)	3.08 (0.10)	7.95 (0.30)	- (-)	- (-)	- (-)	- (-)	- (-)	- (-)	- (-)	- (-)
200M	4.80 (135.9)	Vacuum Flow SCFM (L/min)	6.00 (169.90)	5.30 (150.10)	4.90 (138.80)	4.00 (113.30)	- (-)	3.50 (99.10)	2.50 (70.80)	1.10 (31.10)	0 (0)	- (-)	- (-)	- (-)	- (-)
		Evacuation time (seconds)	0 (0)	0.75 (0)	1.90 (0.10)	3.20 (0.10)	- (-)	5.30 (0.20)	8.70 (0.30)	17.10 (0.60)	42.60 (1.50)	- (-)	- (-)	- (-)	- (-)
250M	7.80 (220.9)	Vacuum Flow SCFM (L/min)	9.50 (269)	9.20 (260.5)	8.30 (235)	7.00 (198.20)	- (-)	4.70 (133.10)	3.40 (96.30)	2.20 (62.30)	0 (0)	- (-)	- (-)	- (-)	- (-)
		Evacuation time (seconds)	0 (0)	0.45 (0)	1.10 (0)	2.40 (0.10)	- (-)	3.80 (0.10)	6.00 (0.20)	9.70 (0.30)	15.40 (0.50)	- (-)	- (-)	- (-)	- (-)
200H	7.80 (220.9)	Vacuum Flow SCFM (L/min)	5.40 (152.90)	4.70 (133.10)	3.85 (109)	3.30 (93.40)	- (-)	3.00 (85)	2.60 (73.60)	2.10 (59.50)	- (-)	1.60 (45.30)	1.20 (34)	0.60 (17)	0 (0)
		Evacuation time (seconds)	0 (0)	1.20 (0)	2.10 (0.10)	3.40 (0.10)	- (-)	5.20 (0.20)	7.70 (0.30)	11.50 (0.40)	- (-)	20.00 (0.70)	33.50 (1.20)	62.60 (2.20)	98.10 (3.50)
250H	12.50 (354)	Vacuum Flow SCFM (L/min)	9.00 (254.90)	8.50 (240.70)	7.85 (222.30)	7.00 (198.20)	- (-)	6.50 (184.10)	5.30 (150.10)	3.90 (110.40)	- (-)	2.50 (70.80)	1.80 (51)	0.90 (25.50)	0 (0)
		Evacuation time (seconds)	0 (0)	0.75 (0)	1.30 (0)	2.20 (0.10)	- (-)	3.50 (0.10)	5.60 (0.20)	9.10 (0.30)	- (-)	17.40 (0.60)	30.10 (1.10)	56.00 (2)	76.00 (2.70)

Evacuation time in seconds based on 1 cubic foot volume / "Hg (1 Liter Volume / mbar)

● Performance Data



Notes: Standard operating pressure for IMI Norgren generators is 80 PSI [5.5 bar]. Generators can be factory modified to run at other operating pressures i.e. 60 PSI [4.1 bar] etc. The values shown in the performance chart will remain the same for all operating pressures.

Warnings

Improper selection, misuse, age or malfunction of components used in systems can cause failure in various modes. The system designer is warned to consider the failure modes of all component parts and to provide adequate safeguards to prevent personal injury or damage to equipment or property in the event of such failure modes. System designers and end users are cautioned to consult instruction sheets and specifications available from the factory. The system designer/end user is responsible for verifying that all requirements for the application are met.

Warranty

The products described herein are warranted subject to seller's Standard Terms and Condition of Sale, available at seller's website.

NVP90

- High Productivity – non-clogging design reduces downtime
- Strong hold – powerful vacuum up to 28"Hg [948mbar]
- Mounts Easily – compact and lightweight
- Fast Response – installs close to vacuum point
- Efficient – minimal air consumption
- Reliable operation – straight-through design with no moving parts

Technical Data

Fluid
Filtered (100 Micron) unlubricated, non-corrosive dry gases

Operating Temperature
-100° to ~400° F (-73° to ~204°C)

Operating Pressure
80 PSI (5.5 bar) Standard or 60 PSI (4.1 bar)

Materials
Generator Body: Anodized Aluminum

Supply Line
1/2" OD (12mm)

Vacuum Line
1/2" OD (12mm), preferred 3/4" (22mm) for lines exceeding 3' (1M)

Mounting Holes
Mounting holes accept 10-32[M5] screws

Performance Level Designations
"L", "X" 0-10"Hg [0 to 339mbar] for low vacuum/high flow applications
"M", "Y" 0-20"Hg [0 to 677mbar] for medium vacuum/high flow applications
"H", "Z" 0-28"Hg [0 to 948mbar] for high vacuum/standard flow applications

Control Valve
12V or 24V normally closed or 24V normally open

Product options
Standard (NVP90)
Valve controlled (NVP90V)
Multi-port (NVP90M)
Air Saver (NVP90C)



Standard Models

Accessories

Part number	Max. Vacuum Level	Max. Vacuum Flow	Air Consumption	Silencer
NVP90-300M-S27A00	20"Hg	20.00 SCFM	12.50 SCFM	NFA-51-.500 Silencer
NVP90-300H-S27A00	28"Hg	20.00 SCFM	22.00 SCFM	NFA-51-.500 Silencer
NVP90-350M-S27A00	20"Hg	28.00 SCFM	22.00 SCFM	NFA-51-.500 Silencer
NVP90-350H-S27A00	28"Hg	28.00 SCFM	28.00 SCFM	NFA-51-.500 Silencer

Option selector

NVP★90-★★★★-S★★A00

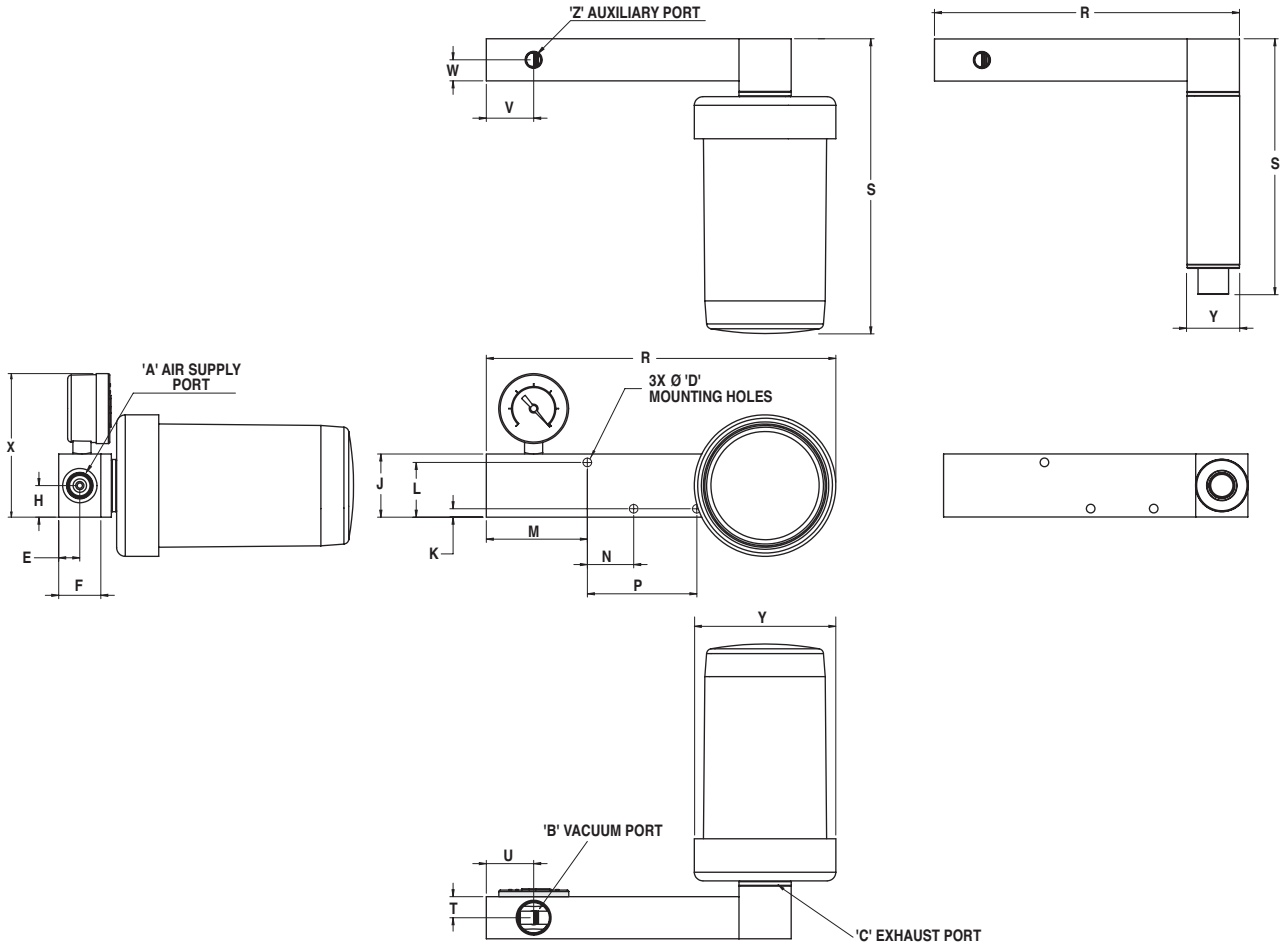
Series	Substitute	Accessories	Substitute
NVP (Imperial Thread)		Extra Ports / No Accessories	A00
NVPM (Metric Thread)	M	Extra Ports / NVG-150-GF	A38
Vacuum Flow Level	Substitute	Silencers	Substitute
Venturi Cartridge 300	300	None	S00
Venturi Cartridge 350	350	NFA-51-.500 (72dB)	S27
Vacuum Level	Substitute	NFA-51-.500 - No Elbow (72dB)	S37
10"Hg @ 80PSI (Standard)	L	NST8B (76dB)	S11
20"Hg @ 80PSI (Standard)	M	NST8B - No Elbow (76dB)	S31
28"Hg @ 80PSI (Standard)	H		
10"Hg @ 60PSI	X		
20"Hg @ 60PSI	Y		
28"Hg @ 60PSI	Z		

● Accessories

Standard Models	Inline Fitting	Swivel Elbow Fitting
NVP90-300M-S27A00	124250738	124470738
NVP90-300H-S27A00	124250738	124470738
NVP90-350M-S27A00	124250738	124470738
NVP90-350H-S27A00	124250738	124470738

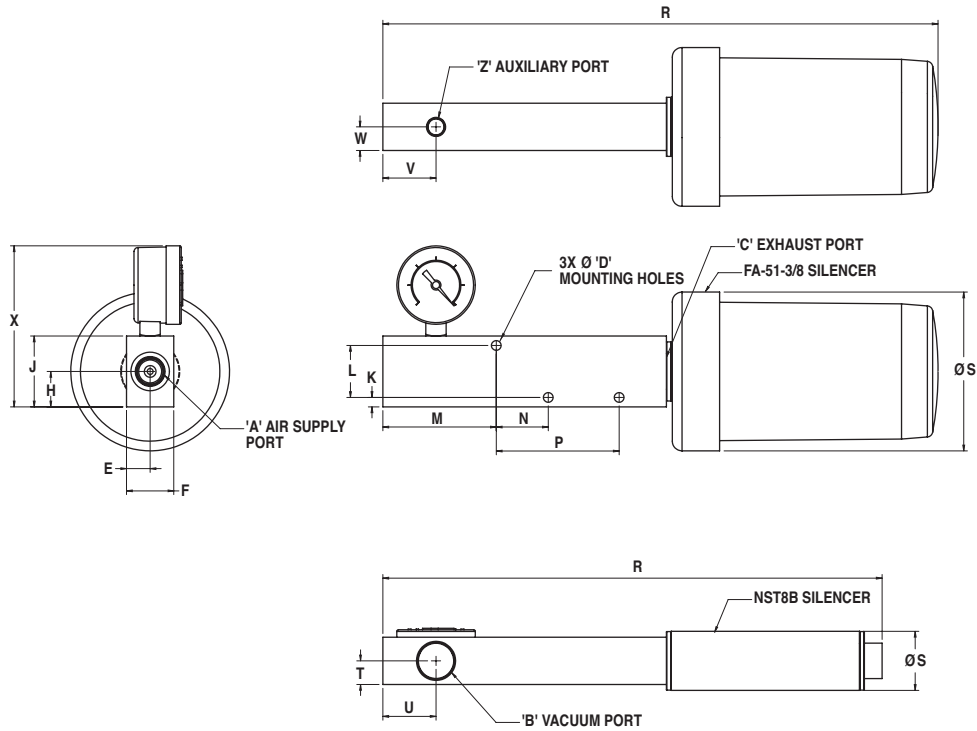
*Proper selection of vacuum cups depends on the application. Cups are available in various durometers, colors and materials. If you do not see what you are looking for, please consult factory
 *The fittings, cups, and spring levelers listed are a small selection of possible options please refer to the specific catalog section

● Dimensions inches (mm)



Model	Units	A	B	C	D	E	F	H	J	K	L	M	N	P	R	S	T	U	V	W	X	Y	Z
NVP90-3***-S27A38	Imperial	3/8 NPTF	1/2 NPTF	1/2 NPTF	0.21	0.50	1.00	0.75	1.50	0.20	1.10	2.40	1.10	2.60	8.30	7.00	0.50	1.13	1.13	0.50	3.36	3.41	1/8 NPTF
NVP90-3***-S11A00	Imperial	3/8 NPTF	1/2 NPTF	1/2 NPTF	0.21	0.50	1.00	0.75	1.50	0.20	1.10	2.40	1.10	2.60	7.24	6.07	0.50	1.13	1.13	0.50	3.36	1.25	1/8 NPTF
NVPM90-3***-S27A38	(Metric)	(G 3/8)	(G 1/2)	(G 1/2)	(5.30)	(12.70)	(25.40)	(19.10)	(38.10)	(5.10)	(27.90)	(61.00)	(27.90)	(66.00)	(298.45)	(177.80)	(12.70)	(28.60)	(28.60)	(12.70)	(86.6)	(86.60)	(G 1/8)
NVPM90-3***-S11A00	(Metric)	(G 3/8)	(G 1/2)	(G 1/2)	(5.30)	(12.70)	(25.40)	(19.10)	(38.10)	(5.10)	(27.90)	(61.00)	(27.90)	(66.00)	(268.22)	(154.20)	(12.70)	(28.60)	(28.60)	(12.70)	(86.6)	(86.60)	(G 1/8)

● Dimensions inches (mm)



Model	Units	A	B	C	D	E	F	H	J	K	L	M	N	P	R	S	T	U	V	W	X	Y
NVP90-3***-S27A38	Imperial	3/8 NPTF	1/2 NPTF	1/2 NPTF	0.21	0.50	1.00	0.75	1.50	0.20	1.10	2.40	1.10	2.60	11.75	3.36	0.50	1.13	1.13	0.50	3.41	1/8 NPTF
NVP90-3***-S11A00	Imperial	3/8 NPTF	1/2 NPTF	1/2 NPTF	0.21	0.50	1.00	0.75	1.50	0.20	1.10	2.40	1.10	2.60	10.56	1.25	0.50	1.13	1.13	0.50	3.41	1/8 NPTF
NVPM90-3***-S27A38	(Metric)	(G 3/8)	(G 1/2)	(G 1/2)	(5.30)	(12.70)	(25.40)	(19.10)	(38.10)	(5.10)	(27.90)	(61.00)	(27.90)	(66.00)	(298.45)	(85.30)	(12.70)	(28.60)	(28.60)	(12.70)	(86.60)	(G 1/8)
NVPM90-3***-S11A00	(Metric)	(G 3/8)	(G 1/2)	(G 1/2)	(5.30)	(12.70)	(25.40)	(19.10)	(38.10)	(5.10)	(27.90)	(61.00)	(27.90)	(66.00)	(268.22)	(31.80)	(12.70)	(28.60)	(28.60)	(12.70)	(86.60)	(G 1/8)

NVP90V

- High Productivity – non-clogging design reduces downtime
- Strong hold – powerful vacuum up to 28"Hg [948mbar]
- Mounts Easily – compact and lightweight
- Fast Response – installs close to vacuum point
- Efficient – minimal air consumption
- Reliable operation – straight-through design with no moving parts

Technical Data

Fluid
Filtered (100 Micron) unlubricated, non-corrosive dry gases

Operating Temperature
-100° to ~400° F (-73° to ~204°C)
20° to 120° F (-7° to 49°C) (Valve)

Operating Pressure
80 PSI (5.5 bar) Standard or 60 PSI (4.1 bar)

Materials
Generator Body: Anodized Aluminum

Supply Line
1/2" OD (12mm)

Vacuum Line
1/2" OD (12mm), preferred 3/4" (22mm) for lines exceeding 3' (1M)

Mounting Holes
Mounting holes accept 10-32[M5] screws

Electrical
24V -5% to 10% (VC/VO option)
12V -5% to 10% (VC option)

Power Consumption (Watts)
1.6

Response Times
8

Cycle Rate
45

Electrical Connection
11.8" Flying Lead

LED Indicator with Manual Override
Yes

Control
12V (VC option) or 24V normally closed (VA option) or 24V normally open (VB option)

Performance Level Designations
"L", "X" 0-10"Hg [0 to 339mbar] for low vacuum/high flow applications
"M", "Y" 0-20"Hg [0 to 677mbar] for medium vacuum/high flow applications
"H", "Z" 0-28"Hg [0 to 948mbar] for high vacuum/standard flow applications

Product options
Standard (NVP90)
Valve controlled (NVP90V)
Multi-port (NVP90M)
Air Saver (NVP90C)

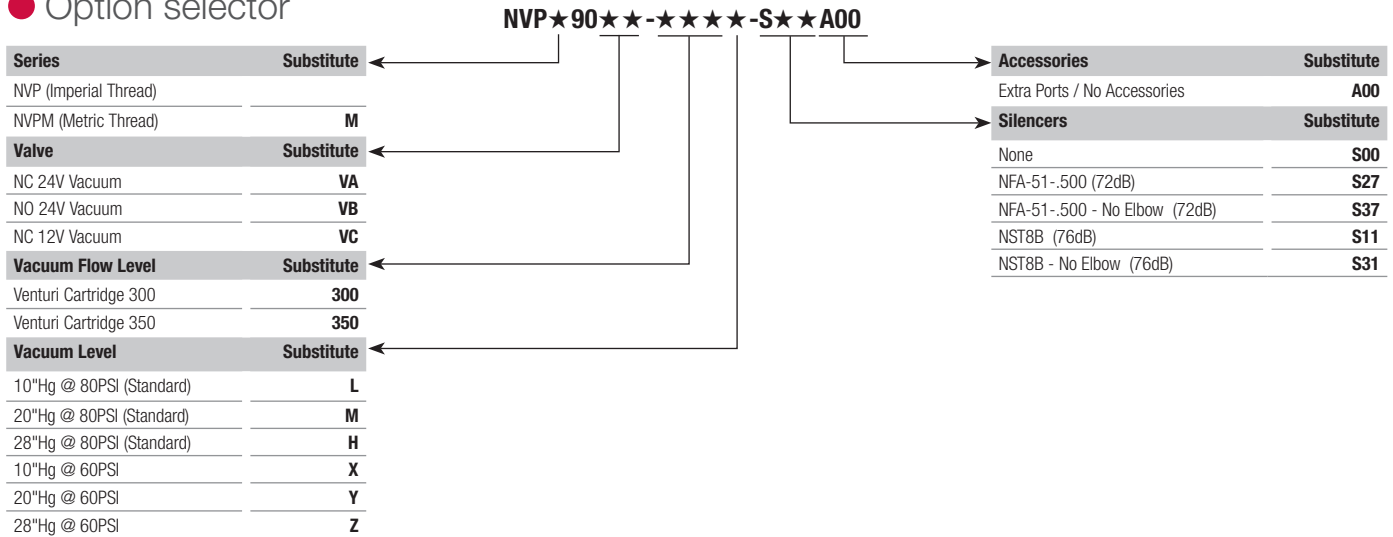


Standard Models

Accessories

Part number	Valve	Max. Vacuum Level	Max. Vacuum Flow	Air Consumption	Silencer
NVP90VA-300M-S27A00	NC 24V	20"Hg	20.00 SCFM	12.50 SCFM	NFA-51-.500 Silencer
NVP90VA-300H-S27A00	NC 24V	28"Hg	20.00 SCFM	22.00 SCFM	NFA-51-.500 Silencer
NVP90VA-350M-S27A00	NC 24V	20"Hg	28.00 SCFM	22.00 SCFM	NFA-51-.500 Silencer
NVP90VA-350H-S27A00	NC 24V	28"Hg	28.00 SCFM	28.00 SCFM	NFA-51-.500 Silencer

Option selector



● Accessories

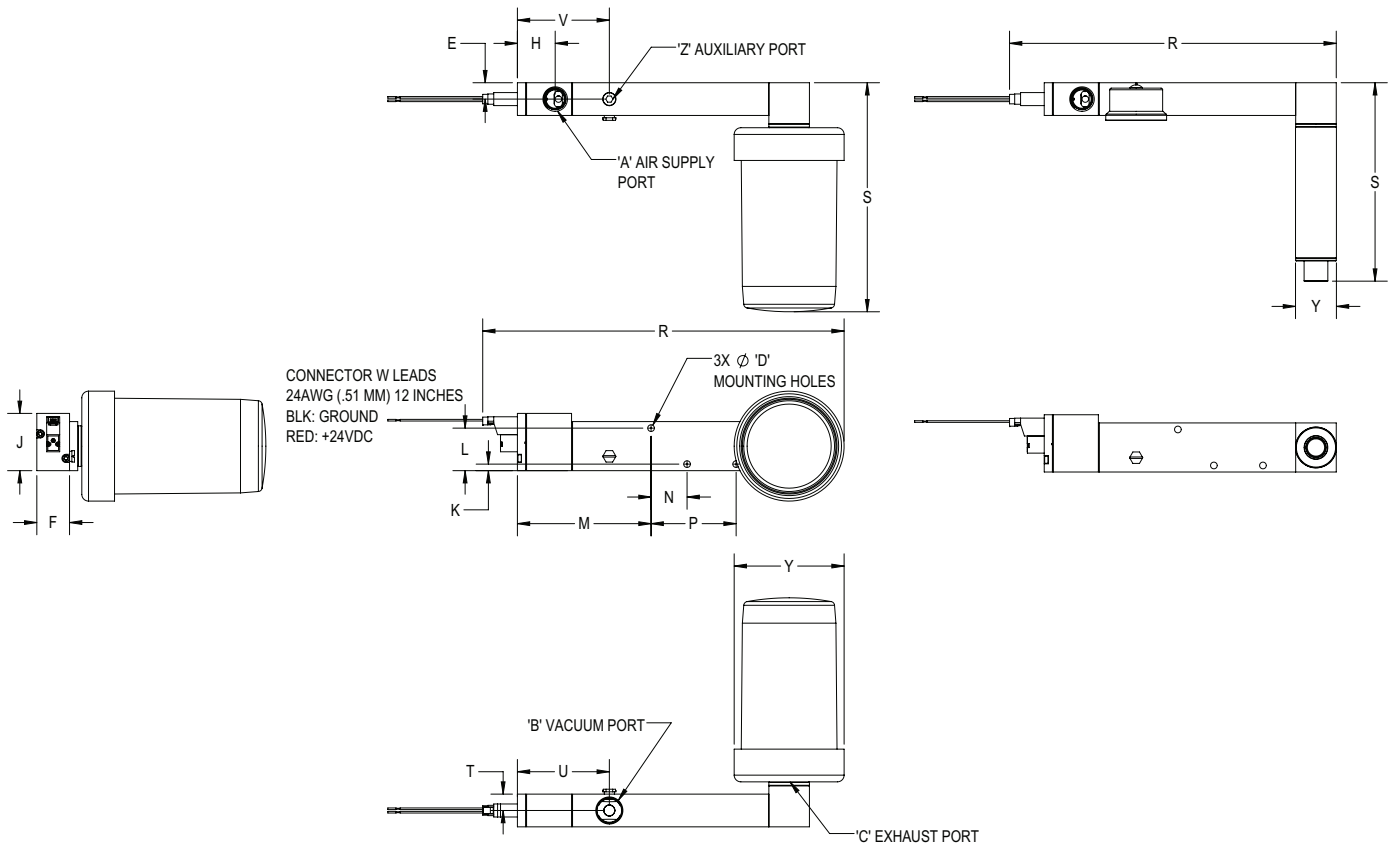
Standard Models	Inline Fitting	Swivel Elbow Fitting
-----------------	----------------	----------------------



NVP90-300M-S27A00	124250738	124470738
NVP90-300H-S27A00	124250738	124470738
NVP90-350M-S27A00	124250738	124470738
NVP90-350H-S27A00	124250738	124470738

*Proper selection of vacuum cups depends on the application. Cups are available in various diameters, colors and materials. If you do not see what you are looking for, please consult factory
 *The fittings, cups, and spring levelers listed are a small selection of possible options please refer to the specific catalog section

● Dimensions inches (mm)



Model	Units	A	B	C	D	E	F	H	J	K	L	M	N	P	R	S	T	U	V	W	Z
NVP90VA-3***-S27A38	Imperial	3/8 NPTF	3/8 NPTF	3/8 NPTF	0.21	0.50	1.00	1.16	1.75	0.20	1.30	3.89	1.10	2.60	11.05	7.00	0.50	2.81	2.81	0.50	1/8 NPTF
NVP90VA-3***-S11A00	Imperial	3/8 NPTF	3/8 NPTF	3/8 NPTF	0.21	0.50	1.00	1.16	1.75	0.20	1.30	3.89	1.10	2.60	9.98	6.06	0.50	2.81	2.81	0.50	1/8 NPTF
NVPM90VA-3***-S27A38	(Metric)	(G 3/8)	(G 1/4)	(G 3/8)	(5.30)	(12.70)	(25.40)	(29.5)	(44.50)	(5.10)	(33.0)	(98.8)	(27.90)	(66.00)	(280.7)	(177.80)	(12.70)	(61/8)	(71.4)	(12.70)	(G 1/8)
NVPM90VA-3***-S11A00	(Metric)	(G 3/8)	(G 1/4)	(G 3/8)	(5.30)	(12.70)	(25.40)	(29.5)	(44.50)	(5.10)	(33.0)	(98.8)	(27.90)	(66.00)	(253.5)	(153.9)	(12.70)	(61/8)	(71.4)	(12.70)	(G 1/8)

NVP90M

Multi-port

- Multi-port version - distribute vacuum to multiple locations
- High Productivity – non-clogging design reduces downtime
- Strong hold – powerful vacuum up to 28"Hg [948mbar]
- Mounts Easily – compact and lightweight
- Fast Response – installs close to vacuum point
- Efficient – minimal air consumption
- Reliable operation – straight-through design with no moving parts

Technical Data

Fluid

Filtered (100 Micron) unlubricated, non-corrosive dry gases

Operating Temperature

-100° to ~400° F (-73° to ~204°C)

20° to 120° F (-7° to 49°C) (Valve)

Operating Pressure

80 PSI (5.5 bar) Standard or

60 PSI (4.1 bar)

Materials

Generator Body: Anodized Aluminum

Supply Line

1/2" OD (12mm)

Vacuum Line

1/2" OD (12mm), preferred 3/4" (22mm) for lines exceeding 3' (1M)

Mounting Holes

Mounting holes accept 10-32[M5] screws

Electrical

24V -5% to 10% (VA,VB option)

12V -5% to 10% (VC option)

Power Consumption (Watts)

1.6 watts

Response Times

8 milliseconds

Cycle Rate

45 cycles/second

Average Valve Life

50 million cycles

Electrical Connection

11.8" Flying Lead

LED Indicator with Manual Override

Yes

Control Valve

12V (VC option) or 24 normally closed (VA option) or 24V normally open (VB option)

Performance Level Designations

"L" 0-10"Hg [0 to 339mbar] for low vacuum/high flow applications

"M" 0-20"Hg [0 to 677mbar] for medium vacuum/high flow applications

"H" 0-28"Hg [0 to 948mbar] for high vacuum/standard flow applications

Product options

Standard (NVP90)

Valve controlled (NVP90V)

Multi-port (NVP90M)

Air Saver (NVP90C)



Standard Models

Accessories

Part number	Valve	Max. Vacuum Level	Max. Vacuum Flow	Air Consumption	Silencer
NVP90M0-300M-S11A38	None	20"Hg	20.00 SCFM	12.50 SCFM	NST8B Silencer
NVP90M0-300H-S11A38	None	28"Hg	20.00 SCFM	22.00 SCFM	NST8B Silencer
NVP90M0-350M-S11A38	None	20"Hg	28.00 SCFM	22.00 SCFM	NST8B Silencer
NVP90M0-350H-S11A38	None	28"Hg	28.00 SCFM	28.00 SCFM	NST8B Silencer
NVP90M0-300M-S11A38	NC 24V	20"Hg	20.00 SCFM	12.50 SCFM	NST8B Silencer
NVP90M0-300H-S11A38	NC 24V	28"Hg	20.00 SCFM	22.00 SCFM	NST8B Silencer
NVP90M0-350M-S11A38	NC 24V	20"Hg	28.00 SCFM	22.00 SCFM	NST8B Silencer
NVP90M0-350H-S11A38	NC 24V	28"Hg	28.00 SCFM	28.00 SCFM	NST8B Silencer

NVP90M

Multi-port




Option selector

NVP★90M★-★★★-S11A★★

Series	Substitute
NVP (Imperial Thread)	
NVPM (Metric Thread)	M
Valve	Substitute
Multi-Port, No Valve	MO
Multi-Port, NC 24V Vacuum	MA
Multi-Port, NO 24V Vacuum	MB
Multi-Port, NC 12V Vacuum	MC
Vacuum Flow Level	Substitute
Venturi Cartridge 300	300
Venturi Cartridge 350	350
Vacuum Level	Substitute
10"Hg @ 80PSI (Standard)	L
20"Hg @ 80PSI (Standard)	M
28"Hg @ 80PSI (Standard)	H
10"Hg @ 60PSI	X
20"Hg @ 60PSI	Y
28"Hg @ 60PSI	Z

Accessories	Substitute
Extra Ports / NVG-150-GF	A38
Extra Ports / NVTMV-QD-6 / NVG-150-GF	A22
Extra Ports / NVSMN-QD-6 / NVG-150-GF	A24
Extra Ports / NVSMP-QD-6 / NVG-150-GF	A26
Silencers	
NST8B (76dB)	S11

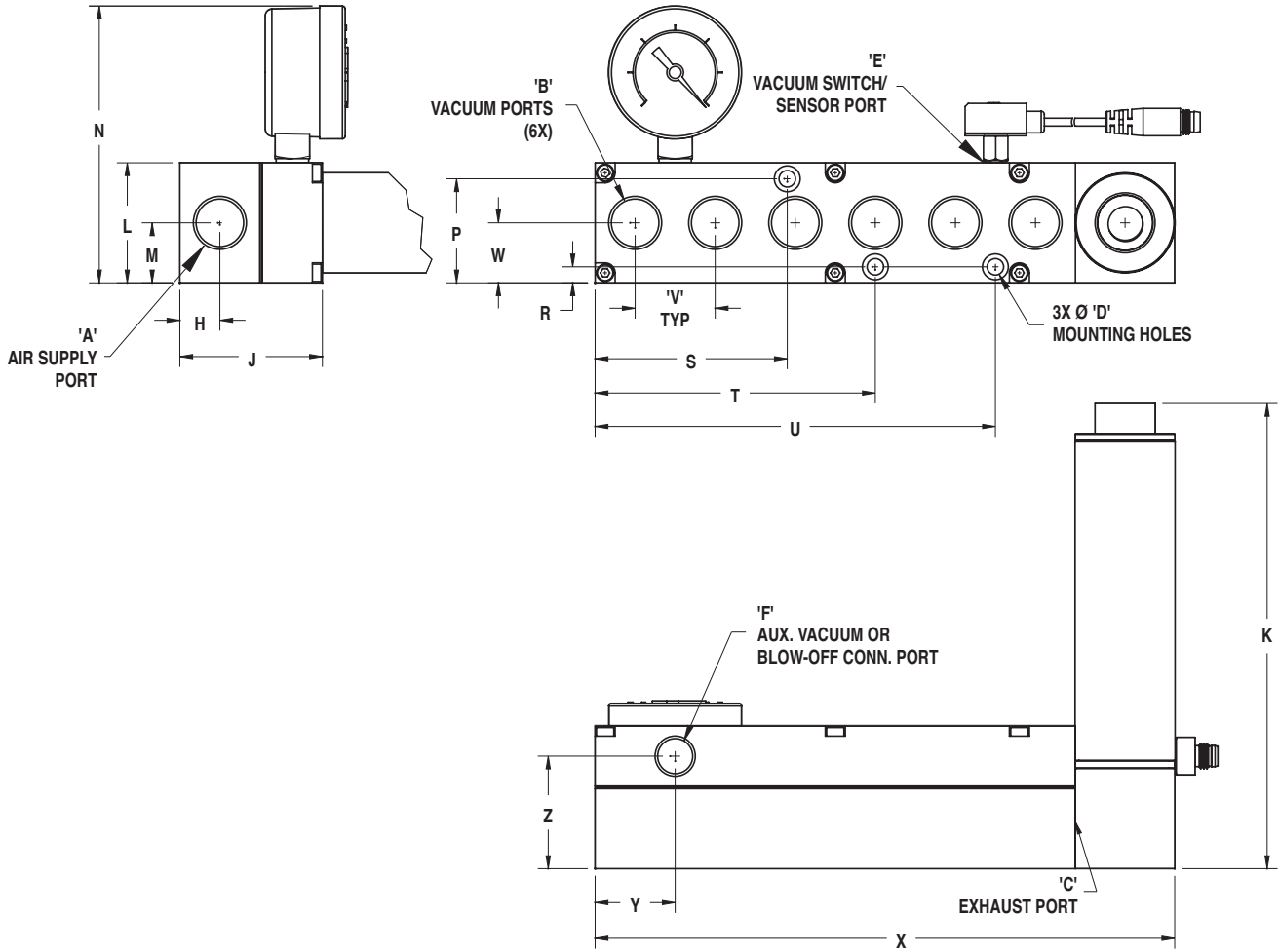
Accessories

Standard Models	Inline Fitting	Swivel Elbow Fitting	Vacuum Swivel Fitting
			
NVP90M0-300M-S11A00	124250738	124470738	124470748
NVP90M0-300H-S11A00	124250738	124470738	124470748
NVP90M0-350M-S11A00	124250738	124470738	124470748
NVP90M0-350H-S11A00	124250738	124470738	124470748

*Proper selection of vacuum cups depends on the application. Cups are available in various durometers, colors and materials. If you do not see what you are looking for, please consult factory
 *The fittings, cups, and spring levelers listed are a small selection of possible options please refer to the specific catalog section

NVP90M
Multi-port

● Dimensions inches (mm)

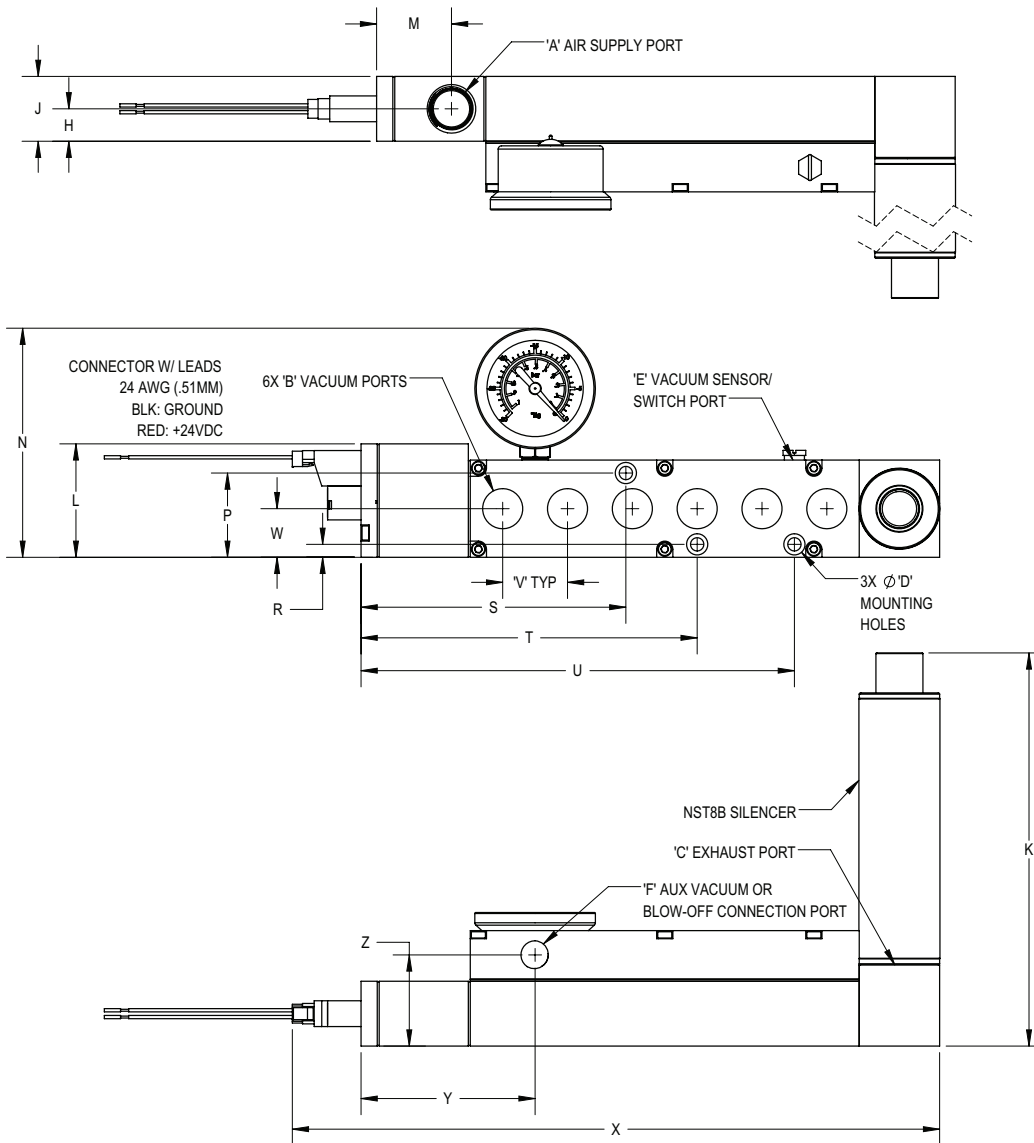


Model	Units	A	B	C	D	E	F	H	J	K	L	M	N	P	R	S	T	U	V	W	X	Y	Z
NVP90M0-3***-S11A38	Imperial	3/8 NPTF	1/2 NPTF	1/2 NPTF	0.21	1/8 NPTF	1/8 NPTF	0.50	1.78	6.07	1.50	0.75	3.41	1.30	0.20	2.40	3.50	5.00	1.00	0.75	7.25	1.00	1.41
NVPM90M0-3***-S11A38	(Metric)	(G 3/8)	(G 1/2)	(G 1/2)	(5.30)	(G 1/8)	(G 1/8)	(12.70)	(45.20)	(154.20)	(38.10)	(19.10)	(86.60)	(33.00)	(5.10)	(61.00)	(88.90)	(127.00)	(25.40)	(19.10)	(184.20)	(25.40)	(35.80)

NVP90M0

Multi-port

● Dimensions inches (mm)



Model	Units	A	B	C	D	E	F	H	J	K	L	M	N	P	R	S	T	U	V	W	X	Y	Z
NVP90MA-3***-S11A38	Imperial	3/8 NPTF	3/8 NPTF	1/2 NPTF	0.21	10-32	1/8 NPTF	0.50	1.00	6.06	1.75	1.16	3.53	1.30	0.20	4.06	5.19	6.69	1.00	0.75	9.99	2.69	1.41
NVPM90MA-3***-S11A38	Metric	(G 3/8)	(G 3/8)	(G 1/2)	(5.30)	M5	(G 1/8)	(12.70)	(25.4)	(153.9)	(44.5)	(29.5)	(89.7)	(33.0)	(5.10)	(103.1)	(131.8)	(169.9)	(25.40)	(19.10)	(253.7)	(68.3)	(35.80)

NVP90C

Air Saver

- Energy efficient – compressed air on only when needed, automatic shut-off
- High Productivity – non-clogging design reduces downtime
- Strong hold – powerful vacuum up to 28"Hg [948mbar]
- Mounts Easily – compact and lightweight
- Fast Response – installs close to vacuum point
- Efficient – minimal air consumption
- Reliable operation – straight-through design with no moving parts

Technical Data

Fluid

Filtered (100 Micron) unlubricated, non-corrosive dry gases

Operating Temperature

-30° to ~250° F (-34° to ~121°C)

Operating Pressure

80 PSI (5.5 bar) Standard or 60 PSI (4.1 bar)

Materials

Generator Body: Anodized Aluminum

Supply Line

1/2" OD (12mm)

Vacuum Line

1/2" OD (12mm)

Mounting Holes

Mounting holes accept 10-32[M5] screws

Performance Level Designations

"M", "Y" 0-20"Hg [0 to 677mbar] for medium vacuum/high flow applications

"H", "Z" 0-28"Hg [0 to 948mbar] for high vacuum/standard flow applications

Generator Selection

1. Determine the desired evacuation time (speed)
2. Calculate the total volume of air to be evacuated in the system including vacuum lines, vessel/cavity size, cups, etc.
3. Determine the desired vacuum level, "Hg/mbar Application ex.: Evacuate 2 cu.ft. of air in 1 minute (60 sec) at a vacuum level of 21"Hg
Formula: Time (60 sec)/Cu. ft (2) = 30 seconds per cu.ft. (evacuation speed)

Product options

Standard (NVP90)
Valve controlled (NVP90V)
Multi-port (NVP90M)
Air Saver (NVP90C)



Standard Models

Part number	Max. Vacuum Level	Max. Vacuum Flow	Air Consumption	Silencer
NVP90C0-300M-S11A38	20"Hg	20.00 SCFM	12.50 SCFM	NST8B Silencer
NVP90C0-300H-S11A38	28"Hg	20.00 SCFM	22.00 SCFM	NST8B Silencer
NVP90C0-350M-S11A38	20"Hg	28.00 SCFM	22.00 SCFM	NST8B Silencer
NVP90C0-350H-S11A38	28"Hg	28.00 SCFM	28.00 SCFM	NST8B Silencer

Accessories

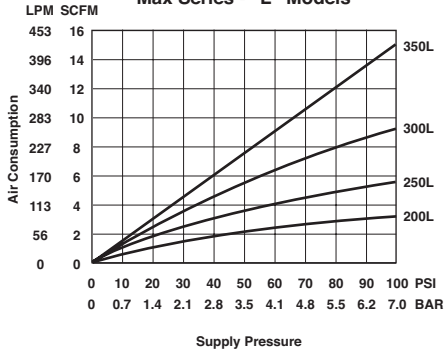
● Performance Data

Model	Air Consumption SCFM (L/min)	Vacuum Level "Hg (mbar)	0"Hg (0)	3"Hg (102)	6"Hg (203)	9"Hg (305)	10"Hg (339)	12"Hg (406)	15"Hg (508)	18"Hg (609)	20"Hg (677)	21"Hg (711)	24"Hg (813)	27"Hg (914)	28"Hg (948)
300M	12.50 (354)	Vacuum Flow SCFM (L/min)	20.00 (566.30)	19.00 (530.80)	16.30 (461.60)	13.80 (390.80)	- (-)	8.10 (229.40)	5.50 (155.70)	3.30 (93.40)	0 (0)	- (-)	- (-)	- (-)	- (-)
		Evacuation time (seconds)	0 (0)	0 (0)	0 (0)	1.10 (0)	- (-)	1.80 (0.10)	2.70 (0.10)	4.60 (0.20)	8.70 (0.30)	- (-)	- (-)	- (-)	- (-)
350M	22.00 (623)	Vacuum Flow SCFM (L/min)	28.00 (792.90)	24.00 (679.60)	19.40 (549.30)	16.80 (475.70)	- (-)	14.50 (410.60)	11.20 (317.10)	4.80 (135.90)	0 (0)	- (-)	- (-)	- (-)	- (-)
		Evacuation time (seconds)	0 (0)	0 (0)	0 (0)	1.00 (0)	- (-)	1.50 (0.10)	2.10 (0.10)	4.30 (0.20)	8.40 (0.30)	- (-)	- (-)	- (-)	- (-)
300H	22.00 (623)	Vacuum Flow SCFM (L/min)	20.00 (566.30)	17.00 (481.40)	14.00 (396.40)	12.70 (359.60)	- (-)	12.00 (339.80)	10.00 (238.20)	7.40 (209.50)	- (-)	4.90 (138.80)	2.70 (76.50)	1.30 (36.80)	0 (0)
		Evacuation time (seconds)	0 (0)	0 (0)	0.80 (0)	1.20 (0)	- (-)	2.00 (0.10)	2.80 (0.10)	3.90 (0.10)	- (-)	5.90 (0.20)	11.10 (0.40)	32.70 (1.20)	60.00 (2.10)
350H	28.00 (792.90)	Vacuum Flow SCFM (L/min)	28.00 (792.30)	22.00 (623.00)	18.70 (529.50)	15.90 (450.20)	- (-)	14.50 (410.60)	11.80 (334.10)	8.10 (229.40)	- (-)	5.70 (161.40)	4.50 (127.40)	2.25 (63.70)	0 (0)
		Evacuation time (seconds)	0 (0)	0 (0)	0 (0)	1.20 (0)	- (-)	1.90 (0.10)	2.30 (0.10)	3.40 (0.10)	- (-)	5.30 (0.20)	8.80 (0.30)	26.00 (0.90)	44.00 (1.60)

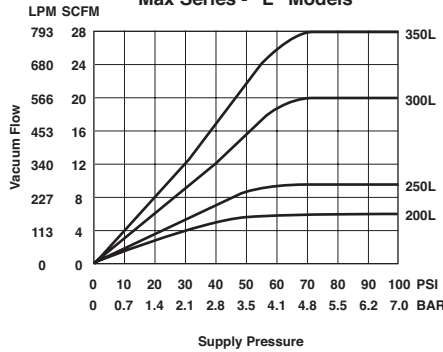
Evacuation time in seconds based on 1 cubic foot volume / "Hg (1 Liter Volume / mbar)

● Performance Data

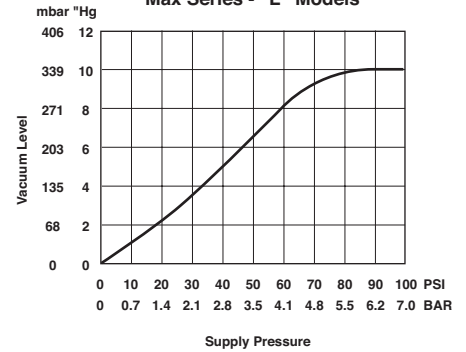
**Air Consumption vs Supply Pressure
Max Series - "L" Models**



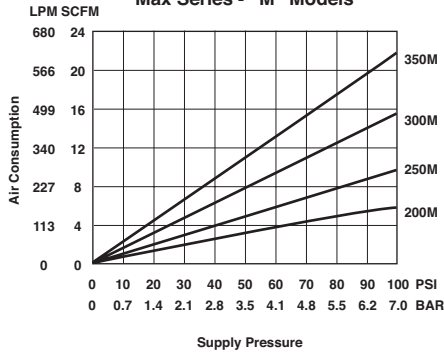
**Vacuum Flow vs Supply Pressure
Max Series - "L" Models**



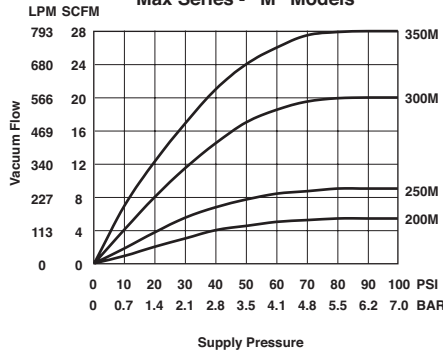
**Static Vacuum vs Supply Pressure
Max Series - "L" Models**



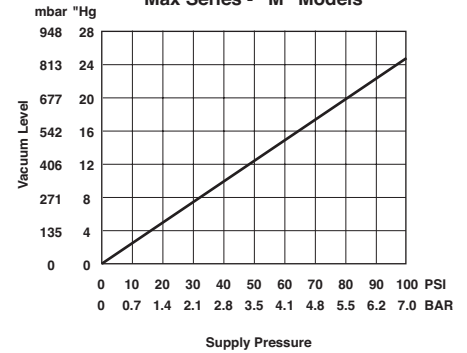
**Air Consumption vs Supply Pressure
Max Series - "M" Models**



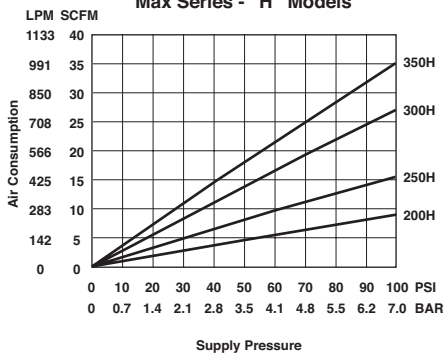
**Vacuum Flow vs Supply Pressure
Max Series - "M" Models**



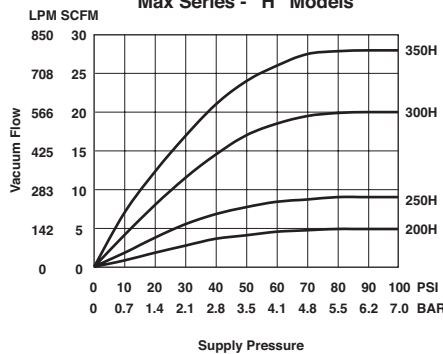
**Static Vacuum vs Supply Pressure
Max Series - "M" Models**



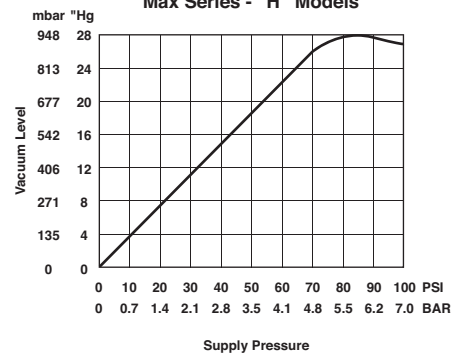
**Air Consumption vs Supply Pressure
Max Series - "H" Models**



**Vacuum Flow vs Supply Pressure
Max Series - "H" Models**



**Static Vacuum vs Supply Pressure
Max Series - "H" Models**



Warnings

Improper selection, misuse, age or malfunction of components used in systems can cause failure in various modes. The system designer is warned to consider the failure modes of all component parts and to provide adequate safeguards to prevent personal injury or damage to equipment or property in the event of such failure modes. System designers and end users are cautioned to consult instruction sheets and specifications available from the factory. The system designer/end user is responsible for verifying that all requirements for the application are met.

Warranty

The products described herein are warranted subject to seller's Standard Terms and Condition of Sale, available at seller's website.

NHVP

High Vacuum Generator

- High Productivity – non-clogging design reduces downtime
- Strong hold – powerful vacuum up to 29.5"Hg [999mbar]
- Mounts Easily – compact and lightweight
- Fast Response – installs close to vacuum point
- Efficient – minimal air consumption
- Reliable operation – straight-through design with no moving parts

Technical Data

Fluid
Filtered (50 Micron) unlubricated, non-corrosive dry gases

Operating Temperature
-30° to ~250° F (-34° to ~121°C)

Operating Pressure
80 PSI (5.5 bar) Standard or 60 PSI (4.1 bar)

Materials
Generator Body: Anodized Aluminum

Supply / Vacuum Line
3/8" OD (10mm) tube for sizes 100 / 200
1/2" OD (12mm) tube for size 300

Mounting Holes
Mounting holes accept 4-40[M3] screws for size 100
Mounting holes accept 10-32[M5] screws for sizes 200 / 300

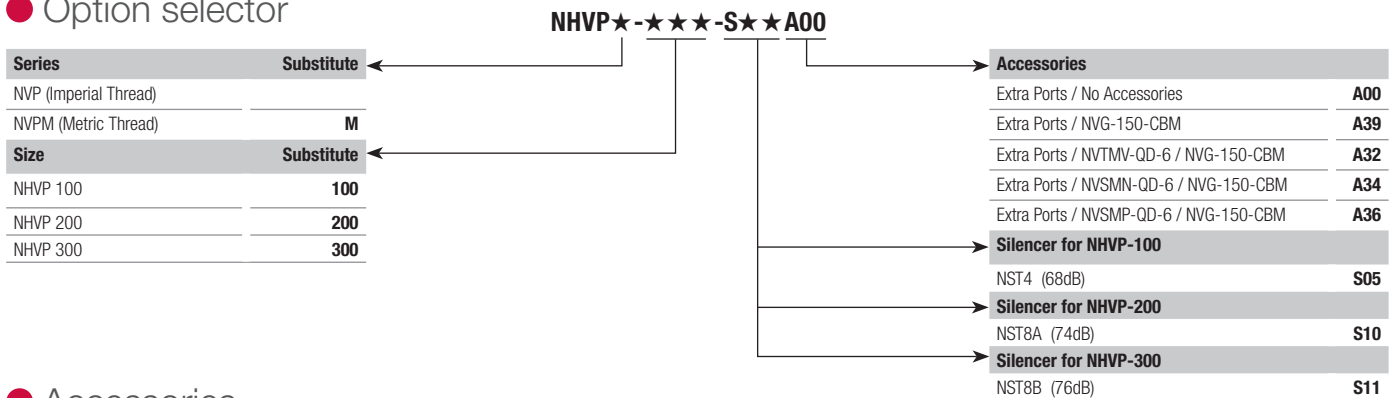


Standard Models

Part Number	Max. Vacuum Level	Max. Vacuum Flow	Air Consumption	Silencer
NHVP-100-S05A00	29.5"Hg	1.30 SCFM	4.90 SCFM	NST4 Silencer
NHVP-200-S10A00	29.5"Hg	3.45 SCFM	8.60 SCFM	NST8A Silencer
NHVP-300-S11A00	29.5"Hg	6.00 SCFM	22.00 SCFM	NST8B Silencer

Accessories

Option selector



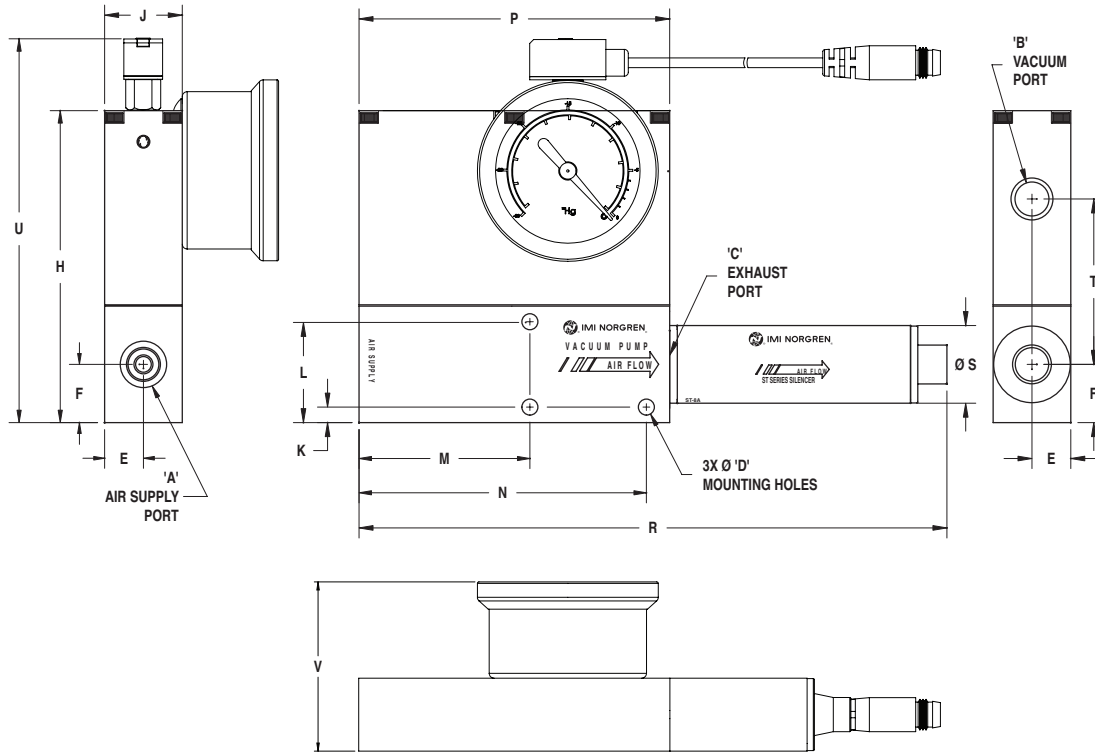
Accessories

Standard Models	Inline Fitting	Swivel Elbow Fitting	Vacuum Fitting	Flat Cup
NVP80-200M-S08A00	124250628	124470618	NVCF5-38M	NUC040****
NVP80-200H-S08A00	124250628	124470618	NVCF5-38M	NUC040****
NVP80-250M-S10A00	124250628	124470618	NVCF5-38M	NUC040****
NVP80-250H-S10A00	124250628	124470618	NVCF5-38M	NUC040****

*Proper selection of vacuum cups depends on the application. Cups are available in various diameters, colors and materials. If you do not see what you are looking for, please consult factory
*The fittings, cups, and spring levelers listed are a small selection of possible options please refer to the specific catalog section

NHVP High Vacuum Generator

● Dimensions inches (mm)



Model	Units	A	B	C	D	E	F	H	J	K	L	M	N	P	R	S	T	U	V
NHVP-100-S05A38	Imperial	1/4 NPTF	1/8 NPTF	1/4 NPTF	0.12	0.38	0.38	2.28	0.75	0.09	0.67	1.78	N/A	3.20	5.06	0.75	1.28	3.02	2.00
NHVP-200-S10A38	Imperial	1/4 NPTF	1/4 NPTF	1/2 NPTF	0.21	0.50	0.75	4.02	1.00	0.20	N/A	2.20	3.70	4.00	7.57	1.00	2.13	4.76	2.00
NHVP-300-S11A38	Imperial	3/8 NPTF	1/4 NPTF	1/2 NPTF	0.21	0.50	0.75	4.02	1.00	0.20	N/A	2.50	4.00	5.00	9.81	1.25	2.12	4.76	2.00
NHVP-100-S05A38	(Metric)	(G 1/4)	(G 1/8)	(G 1/4)	(3.10)	(9.70)	(9.70)	(57.90)	(19.10)	(2.30)	(17.00)	(45.20)	N/A	(81.30)	(128.50)	(19.10)	(32.50)	(76.70)	(50.80)
NHVP-200-S10A38	(Metric)	(G 1/4)	(G 1/4)	(G 1/2)	(5.30)	(12.70)	(19.10)	(102.10)	(25.40)	(5.10)	N/A	(55.90)	(94.00)	(101.60)	(192.30)	(25.40)	(54.10)	(120.90)	(50.80)
NHVP-300-S11A38	(Metric)	(G 3/8)	(G 1/4)	(G 1/2)	(5.30)	(12.70)	(19.10)	(102.10)	(25.40)	(5.10)	N/A	(63.50)	(101.60)	(127.00)	(249.20)	(31.80)	(53.80)	(120.90)	(50.80)

● Performance Data

Model	Air Consumption SCFM (L/min)	Vacuum Level "Hg (mbar)	0"Hg (0)	3"Hg (102)	6"Hg (203)	9"Hg (305)	12"Hg (406)	15"Hg (508)	18"Hg (609)	21"Hg (711)	24"Hg (813)	27"Hg (914)	28"Hg (948)
NHVP-100	4.90 (138.80)	Vacuum Flow SCFM (L/min)	1.30 (36.80)	1.20 (34)	1.10 (31.10)	1.00 (28.30)	0.90 (25.50)	0.90 (25.50)	0.90 (25.50)	0.80 (22.70)	0.60 (17)	0.30 (8.50)	0 (0)
		Evacuation time (seconds)	0 (0)	6.50 (0.20)	12.30 (0.40)	18.90 (0.70)	32.50 (1.10)	1.10 (40)	40.00 (1.40)	52.50 (1.90)	72.50 (2.60)	135.50 (4.80)	281.30 (9.90)
NHVP-200	8.60 (243.50)	Vacuum Flow SCFM (L/min)	3.45 (97.70)	3.25 (92)	3.05 (86.40)	2.75 (77.90)	2.45 (69.40)	2.05 (58)	1.90 (53.80)	1.60 (45.30)	1.30 (36.80)	0.90 (25.50)	0 (0)
		Evacuation time (seconds)	0 (0)	2.30 (0.10)	3.80 (0.10)	6.50 (0.20)	10.20 (0.40)	14.10 (0.50)	20.00 (0.70)	29.50 (1)	44.00 (1.60)	67.50 (2.40)	125.00 (4.40)
NHVP-300	22.00 (623)	Vacuum Flow SCFM (L/min)	6.00 (169.90)	5.10 (144.40)	4.70 (133.10)	4.40 (124.60)	4.10 (116.10)	3.60 (101.90)	3.00 (85)	2.60 (73.60)	1.80 (51)	0.90 (25.50)	0 (0)
		Evacuation time (seconds)	0 (0)	1.20 (0)	2.10 (0.10)	3.40 (0.10)	5.20 (0.20)	7.70 (0.30)	11.50 (0.40)	16.30 (0.60)	24.00 (0.80)	39.50 (1.40)	98.10 (3.50)

MULTI-STAGE GENERATOR WITH 1 STAGES, 2 STAGES

NMSV07 Series

- High performance - powerful vacuum up to 28" Hg [948 mbar]
- Compact & Lightweight rugged body construction
- Fast response - mounts close to vacuum point
- Efficient - minimal air consumption
- Safe operation with no electricity at the generator and high flow overcomes leakage to maintain a strong holding force

Technical Data

Fluid
Filtered (50 Micron) unlubricated, non-corrosive dry gases

Operating Temperature
-30° to ~250° F (-34° to ~121°C)

Operating Pressure
80 PSI (5.5 bar) Standard Single Stage
60 PSI (4.0 bar) Optional Single Stage
58-78 PSI (4-6 bar) Standard L & H, 2 or 3 stage
24.7-58 PSI (1.7-4 bar) Standard M, 2 or 3 stage

Materials
Seal: NBR
Valves: NBR

Supply / Vacuum
Supply 1/4" (6mm) OD tube
Vacuum 1/8 NPT (G 1/8) Female

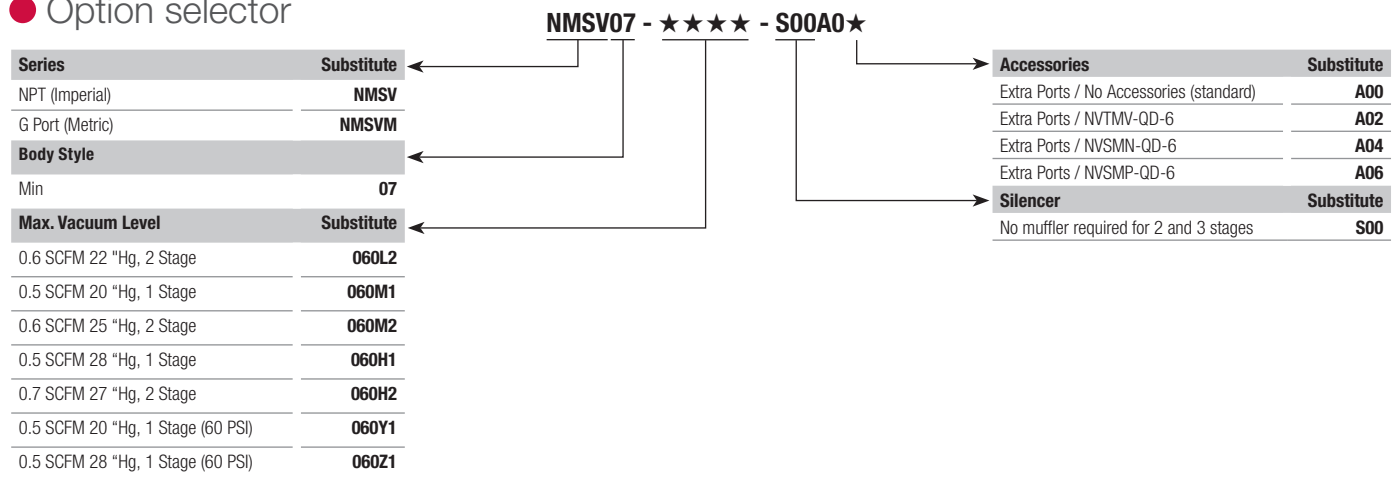
Mounting Holes
Mounting holes accept 4-40[M3] screws



Standard Models

Part Number	Max. Vacuum Level	Max. Vacuum Flow	Air Consumption
NMSV07-060M1-S04A00	20.0	0.6	0.5
NMSV07-060H1-S04A00	28.0	0.8	0.8
NMSV07-060H2-S00A00	28.0	0.6	0.4

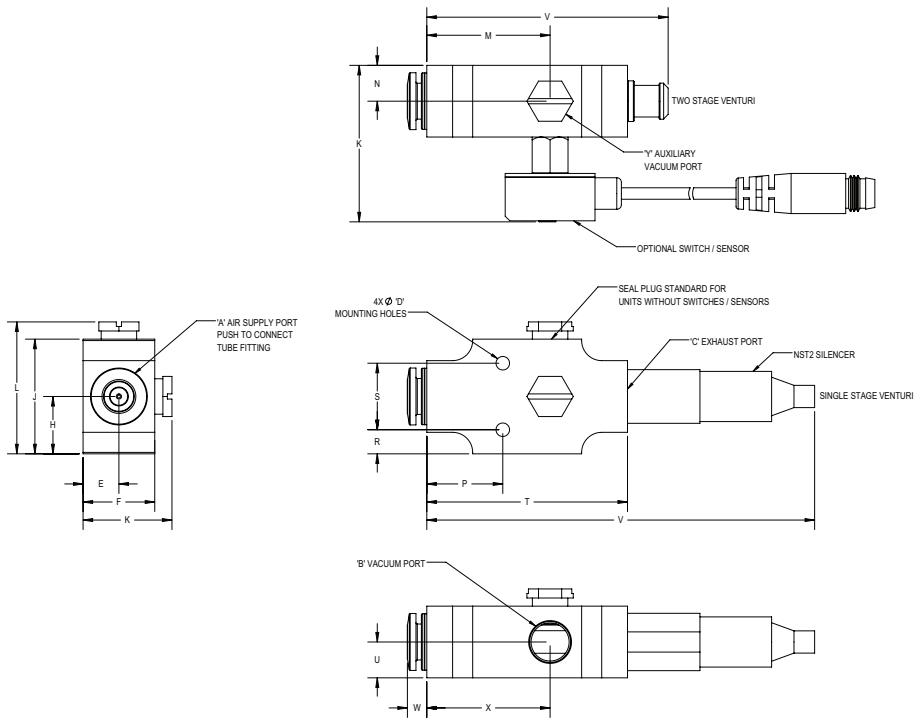
Option selector



Note 1: Silencer is not required for 2 or 3 stage models
Note 2: Replacement NBR seal kit for multi-stage cartridges (NSK2-M07-N)

NMSV07 SERIES

● Dimensions inches (mm)



Model	Units	A	B	C	D	E	F	H	J	K	L	M	N	P	R	S	T	U	V	W	X	Y
NMSV07-****1	Imperial	1/4	1/8 NPTF	M7 x 0.5	0.12	0.31	0.63	0.50	1.00	0.9	0.38	1.33	0.31	0.66	0.21	0.58	1.75	0.31	5.21	0.17	1.08	10-32
NMSV07-****2	Imperial	1/4	1/8 NPTF	M7 x 0.5	0.12	0.31	0.63	0.50	1.00	0.9	0.38	1.33	0.31	0.66	0.21	0.58	1.75	0.31	3.16	0.17	1.08	10-32
NMSV07-****1-S00A06	Imperial	1/4	1/8 NPTF	M7 x 0.5	0.12	0.31	0.63	0.50	1.00	1.49	0.38	1.33	0.31	0.66	0.21	0.58	1.75	0.31	N/A	0.17	1.08	10-32
NMSV07-****1	(Metric)	6mm	(G 1/8)	(M7 x 0.5)	(3.00)	(7.90)	(16.00)	(12.70)	(25.40)	(22.9)	(9.70)	(33.80)	(7.90)	(16.80)	(128.50)	(5.30)	(44.50)	(7.90)	(132.30)	(4.30)	(27.4)	(M5)
NMSV07-****2	(Metric)	6mm	(G 1/8)	(M7 x 0.5)	(3.00)	(7.90)	(16.00)	(12.70)	(25.40)	(22.9)	(9.70)	(33.80)	(7.90)	(16.80)	(192.30)	(5.30)	(44.50)	(7.90)	(80.30)	(4.30)	(27.4)	(M5)
NMSV07-****1-S00A06	(Metric)	6mm	(G 1/8)	(M7 x 0.5)	(3.00)	(7.90)	(16.00)	(12.70)	(25.40)	(37.8)	(9.70)	(33.80)	(7.90)	(16.80)	(249.20)	(5.30)	(44.50)	(7.90)	(N/A)	(4.30)	(27.4)	(M5)

MULTI-STAGE GENERATOR WITH 2 STAGES, 3 STAGES

NMSV14 Series

- High performance - powerful vacuum up to 28" Hg [948 mbar]
- Compact & Lightweight rugged body construction
- Fast response - mounts close to vacuum point
- Efficient - minimal air consumption
- Safe operation with no electricity at the generator and high flow overcomes leakage to maintain a strong holding force
- Reliable trouble-free operation

Technical Data

Fluid
Filtered (50 Micron) unlubricated, non-corrosive dry gases

Operating Temperature
-30° to ~250° F (-34° to ~121°C)

Operating Pressure
80 PSI (5.5 bar) Standard Single Stage
60 PSI (4.0 bar) Optional Single Stage
58-78 PSI (4-6 bar) Standard L & H, 2 or 3 stage
24.7-58 PSI (1.7-4 bar) Standard M, 2 or 3 stage

Materials
Seals: NBR
Valves: NBR

Supply / Vacuum
Supply 3/8" (10mm) OD tube
Vacuum 3/8 NPT (G 3/8) Female

Mounting Holes
Mounting holes accept 10-32[M5] screws



Standard Models

Part Number	Max. Vacuum Level	Max. Vacuum Flow	Air Consumption
NMSV14-090M1-S05A00	20.0	1.4	1.4
NMSV14-090H1-S05A00	28.0	1.2	1.8
NMSV14-150M1-S05A00	20.0	2.4	2.8
NMSV14-150H1-S05A00	28.0	2.4	4.8
NMSV14-091H2-S00A00	28.0	1.6	1.2
NMSV14-100H3-S00A00	28.0	2.4	1.2

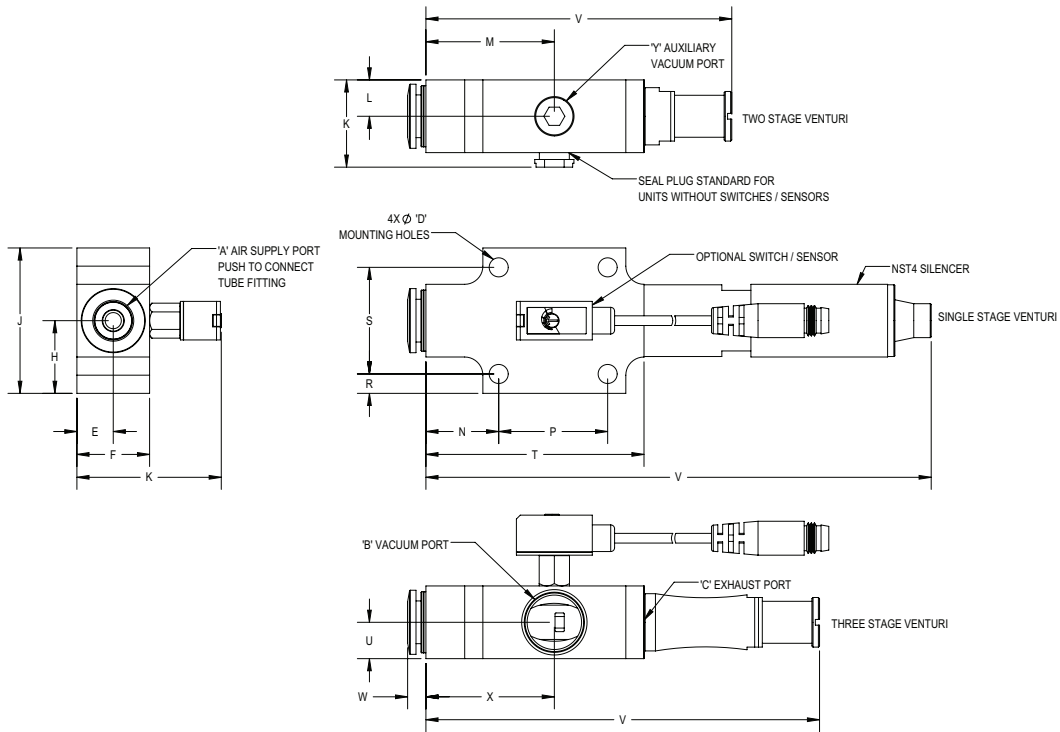
Option selector

NMSV14 - ★★★★★ - S00A0★

Series	Substitute	Accessories	Substitute
NPT (Imperial)	NMSV	Extra Ports / No Accessories (standard)	A00
G Port (Metric)	NMSVM	Extra Ports / NVTMV-QD-6	A02
Body Style		Extra Ports / NVSMN-QD-6	A04
Mid	14	Extra Ports / NVSMP-QD-6	A06
Max. Vacuum Level	Substitute	Silencer	Substitute
0.5 SCFM 20 "Hg, 1 Stage, 80 PSI	060M1	NST4 (68dB)	S05
0.5 SCFM 28 "Hg, 1 Stage, 80 PSI	060H1	No muffler required for 2 and 3 stages	S00
0.5 SCFM 20 "Hg, 1 Stage, 60 PSI	060Y1	Max Vacuum Level (Cont'd)	Substitute
0.5 SCFM 28 "Hg, 1 Stage, 60 PSI	060Z1	2.0 SCFM 28 "Hg, 1 Stage, 60 PSI	100Z1
1.3 SCFM 10 "Hg, 1 Stage, 80 PSI	090L1	3.5 SCFM 10 "Hg, 1 Stage, 80 PSI	150L1
1.4 SCFM 22 "Hg, 2 Stage	090L2	3.5 SCFM 20 "Hg, 1 Stage, 80 PSI	150M1
1.4 SCFM 20 "Hg, 1 Stage, 80 PSI	090M1	3.2 SCFM 28 "Hg, 1 Stage, 80 PSI	150H1
1.5 SCFM 27 "Hg, 2 Stage	090M2	3.5 SCFM 10 "Hg, 1 Stage, 60 PSI	150X1
1.2 SCFM 28 "Hg, 1 Stage, 80 PSI	090H1	3.5 SCFM 20 "Hg, 1 Stage, 60 PSI	150Y1
1.6 SCFM 22 "Hg, 2 Stage	090H2	3.2 SCFM 28 "Hg, 1 Stage, 60 PSI	150Z1
1.3 SCFM 10 "Hg, 1 Stage, 60 PSI	090X1		
1.4 SCFM 20 "Hg, 1 Stage, 60 PSI	090Y1		
1.2 SCFM 28 "Hg, 1 Stage, 60 PSI	090Z1		
1.6 SCFM 22.1 "Hg, 2 Stage	091L2		
2.1 SCFM 20 "Hg, 1 Stage, 80 PSI	100L1		
2.4 SCFM 26.6 "Hg, 3 Stage	100L3		
2.1 SCFM 20 "Hg, 1 Stage, 80 PSI	100M1		
2.4 SCFM 28 "Hg, 3 Stage	100M3		
2.0 SCFM 28 "Hg, 1 Stage, 80 PSI	100H1		
2.4 SCFM 28 "Hg, 3 Stage	100H3		
2.1 SCFM 10 "Hg, 1 Stage, 60 PSI	100X1		
2.1 SCFM 20 "Hg, 1 Stage, 60 PSI	100Y1		

Note 1: Silencer is not required for 2 or 3 stage models
 Note 2: Replacement NBR seal kit for multi-stage cartridges (NSK3-M14-N)

● Dimensions inches (mm)



Model	Units	A	B	C	D	E	F	H	J	K	L	M	N	P	R	S	T	U	V	W	X	Y
NMSV14-****1	Imperial	3/8	3/8 NPT	M14 x 1.0	0.20	0.38	0.75	0.50	1.00	0.9	0.38	1.33	0.78	1.1	0.20	1.10	2.25	0.38	5.21	0.19	1.33	1/8 NPT
NMSV14-****2	Imperial	3/8	3/8 NPT	M14 x 1.0	0.20	0.38	0.75	0.50	1.00	0.9	0.38	1.33	0.78	1.1	0.20	1.10	2.25	0.38	3.16	0.19	1.33	1/8 NPT
NMSV14-****3	Imperial	3/8	3/8 NPT	M14 x 1.0	0.20	0.38	0.75	0.50	1.00	0.90	0.38	1.33	0.78	1.1	0.20	1.10	2.25	0.38	4.06	0.19	1.33	1/8 NPT
NMSV14-****1-S00A06	Imperial	3/8	3/8 NPT	M14 x 1.0	0.20	0.38	0.75	0.50	1.00	1.49	0.38	1.33	0.78	1.1	0.20	1.10	2.25	0.38	N/A	0.19	1.33	1/8 NPT
NMSV14-****1	(Metric)	10mm	(G 3/8)	(M14 x 1.0)	(5.00)	(9.50)	(19.10)	(12.70)	(25.40)	(22.90)	(9.50)	(33.70)	(19.7)	(27.90)	(5.10)	(27.90)	(57.20)	(G 1/8)	(132.40)	(4.80)	(33.80)	(G 1/8)
NMSV14-****2	(Metric)	10mm	(G 3/8)	(M14 x 1.0)	(5.00)	(9.50)	(19.10)	(12.70)	(25.40)	(22.90)	(9.50)	(33.70)	(19.7)	(27.90)	(5.10)	(27.90)	(57.20)	(G 1/8)	(80.10)	(4.80)	(33.80)	(G 1/8)
NMSV14-****3	(Metric)	10mm	(G 3/8)	(M14 x 1.0)	(5.00)	(9.50)	(19.10)	(12.70)	(25.40)	(22.90)	(9.50)	(33.70)	(19.7)	(27.90)	(5.10)	(27.90)	(57.20)	(G 1/8)	(103.10)	(4.80)	(33.80)	(G 1/8)
NMSV14-****1-S00A06	(Metric)	10mm	(G 3/8)	(M14 x 1.0)	(5.00)	(9.50)	(19.10)	(12.70)	(25.40)	(37.80)	(9.50)	(33.70)	(19.7)	(27.90)	(5.10)	(27.90)	(57.20)	(G 1/8)	(N/A)	(4.80)	(33.80)	(G 1/8)

MULTI-STAGE GENERATOR WITH 2 STAGES, 3 STAGES

NMSV25 Series

- High performance - powerful vacuum up to 28" Hg [948 mbar]
- Compact & Lightweight rugged body construction
- Fast response - mounts close to vacuum point
- Efficient - minimal air consumption
- Safe operation with no electricity at the generator and high flow overcomes leakage to maintain a strong holding force
- Reliable trouble-free operation

Technical Data

Fluid
Filtered (50 Micron) unlubricated, non-corrosive dry gases

Operating Temperature
-30° to ~250° F (-34° to ~121°C)

Operating Pressure
80 PSI (5.5 bar) Standard Single Stage
60 PSI (4.0 bar) Optional Single Stage
58-78 PSI (4-6 bar) Standard L & H, 2 or 3 stage
24.7-58 PSI (1.7-4 bar) Standard M, 2 or 3 stage

Materials
Seal: NBR
Valves: NBR

Supply / Vacuum
Supply 1/2" OD (12mm) tube
Vacuum 1/2 NPT (G 1/2) Female

Mounting Holes
Mounting holes accept 10-32[M5] screws



Standard Models

Part Number	Max. Vacuum Level	Max. Vacuum Flow	Air Consumption
NMSV25-200H2-S00A00	28.0	6.0	4.8
NMSV25-265H3-S00A00	28.0	9.5	4.8
NMSV25-200H1-S15A00	28.0	2.4	7.8
NMSV25-250H1-S15A00	28.0	6.3	12.5
NMSV25-300M1-S17A00	20.0	20.0	12.5
NMSV25-350M1-S17A00	20.0	28.0	22.0

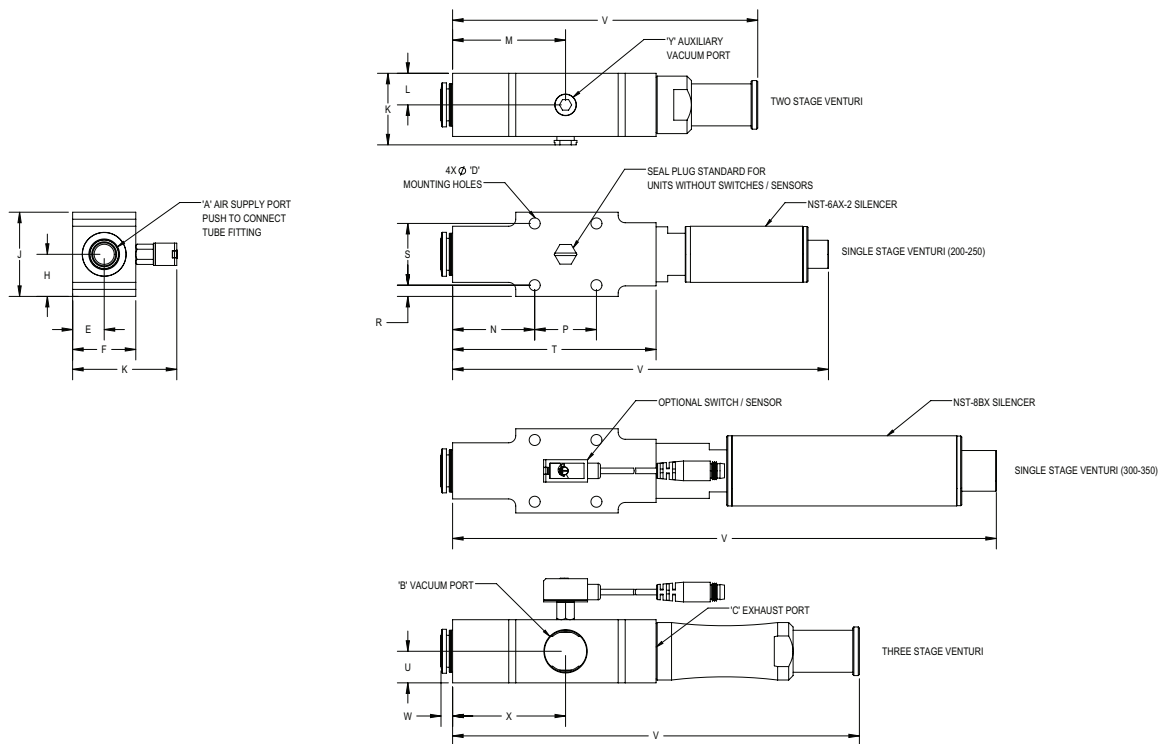
Option selector

NMSV25 - ★★★★★ - S★★A★★

Series	Substitute	Accessories	Substitute
NPT (Imperial)	NMSV	Extra Ports / No Accessories (standard)	A00
G Port (Metric)	NMSVM	Extra Ports / NVTMV-QD-6	A02
Body Style	Substitute	Extra Ports / NVSMN-QD-6	A04
Max	25	Extra Ports / NVSMP-QD-6	A06
Max. Vacuum Level	Substitute	Silencer	Substitute
6.0 SCFM 10 "Hg, 1 Stage, 60 PSI	200L1	No muffler required for 2 and 3 stages	S00
6.3 SCFM 22 "Hg, 2 Stage	200L2	Straight-through (Max. C200-C250)	S15
6.0 SCFM 20 "Hg, 1 Stage, 80 PSI	200M1	Straight-through (Max. C300-C350)	S17
5.4 SCFM 28 "Hg, 1 Stage, 60 PSI	200H1	Max. Vacuum Level (Cont'd)	Substitute
6.0 SCFM 28 "Hg, 2 Stage	200H2	28 SCFM 10 "Hg, 1 Stage, 80 PSI	350L1
6.0 SCFM 10 "Hg, 1 Stage, 60 PSI	200X1	28 SCFM 20 "Hg, 1 Stage, 80 PSI	350M1
6.0 SCFM 20 "Hg, 1 Stage, 60 PSI	200Y1	28 SCFM 28 "Hg, 1 Stage, 80 PSI	350H1
5.4 SCFM 28 "Hg, 1 Stage, 60 PSI	200Z1	28 SCFM 10 "Hg, 1 Stage, 60 PSI	350X1
9.5 SCFM 10 "Hg, 1 Stage, 80 PSI	250L1	28 SCFM 20 "Hg, 1 Stage, 60 PSI	350Y1
9.5 SCFM 20 "Hg, 1 Stage, 80 PSI	250M1	28 SCFM 28 "Hg, 1 Stage, 60 PSI	350Z1
9.0 SCFM 28 "Hg, 1 Stage, 60 PSI	250H1		
9.5 SCFM 10 "Hg, 1 Stage, 60 PSI	250X1		
9.5 SCFM 28 "Hg, 1 Stage, 60 PSI	250Y1		
9.0 SCFM 28 "Hg, 1 Stage, 60 PSI	250Z1		
12.7 SCFM 22 "Hg, 3 Stage	265LS		
13.1 SCFM 28 "Hg, 3 Stage	265H3		
20 SCFM 20 "Hg, 1 Stage, 80 PSI	300M1		
20 SCFM 28 "Hg, 1 Stage, 80 PSI	300H1		
20 SCFM 10 "Hg, 1 Stage, 60 PSI	300X1		
20 SCFM 20 "Hg, 1 Stage, 60 PSI	300Y1		
20 SCFM 28 "Hg, 1 Stage, 60 PSI	300Z1		

Note 1: Silencer is not required for 2 or 3 stage models
Note 2: Replacement NBR seal kit for multi-stage cartridges (NSK3-M25-N)

● Dimensions inches (mm)



Model	Units	A	B	C	D	E	F	H	J	K	L	M	N	P	R	S	T	U	V	W	X	Y
NMSV25-****1	Imperial	1/2	1/2 NPT	M25 x 1.5	0.20	0.56	1.13	0.75	1.50	1.28	0.56	2.01	1.46	1.10	0.20	1.10	3.63	0.56	6.70	0.21	2.01	1/8 NPT
NMSV25-****1	Imperial	1/2	1/2 NPT	M25 x 1.5	0.20	0.56	1.13	0.75	1.50	1.28	0.56	2.01	1.46	1.10	0.20	1.10	3.63	0.56	9.69	0.21	2.01	1/8 NPT
NMSV25-****2	Imperial	1/2	1/2 NPT	M25 x 1.5	0.20	0.56	1.13	0.75	1.50	1.28	0.56	2.01	1.46	1.10	0.20	1.10	3.63	0.56	5.44	0.21	2.01	1/8 NPT
NMSV25-****3	Imperial	1/2	1/2 NPT	M25 x 1.5	0.20	0.56	1.13	0.75	1.50	1.28	0.56	2.01	1.46	1.10	0.20	1.10	3.63	0.56	7.25	0.21	2.01	1/8 NPT
NMSV25-****1-S00A06	Imperial	1/2	1/2 NPT	M25 x 1.5	0.20	0.56	1.13	0.75	1.50	1.86	0.56	2.01	1.46	1.10	0.20	1.10	3.63	0.56	N/A	0.21	2.01	1/8 NPT
NMSV25-****1	(Metric)	12mm	(G 1/2)	(M25 x 1.5)	(5.00)	(14.2)	(19.10)	(19.10)	(38.10)	(32.50)	(14.20)	(51.10)	(37.10)	(27.90)	(5.10)	(27.90)	(27.90)	(14.20)	(170.20)	(5.30)	(51.10)	(G 1/8)
NMSV25-****1	(Metric)	12mm	(G 1/2)	(M25 x 1.5)	(5.00)	(14.2)	(19.10)	(19.10)	(38.10)	(32.50)	(14.20)	(51.10)	(37.10)	(27.90)	(5.10)	(27.90)	(27.90)	(14.20)	(246.10)	(5.30)	(51.10)	(G 1/8)
NMSV25-****2	(Metric)	12mm	(G 1/2)	(M25 x 1.5)	(5.00)	(14.2)	(19.10)	(19.10)	(38.10)	(32.50)	(14.20)	(51.10)	(37.10)	(27.90)	(5.10)	(27.90)	(27.90)	(14.20)	(138.20)	(5.30)	(51.50)	(G 1/8)
NMSV25-****3	(Metric)	12mm	(G 1/2)	(M25 x 1.5)	(5.00)	(14.2)	(19.10)	(19.10)	(38.10)	(32.50)	(14.20)	(51.10)	(37.10)	(27.90)	(5.10)	(27.90)	(27.90)	(14.20)	(184.20)	(5.30)	(51.50)	(G 1/8)
NMSV25-****1-S00A06	(Metric)	12mm	(G 1/2)	(M25 x 1.5)	(5.00)	(14.2)	(19.10)	(19.10)	(38.10)	(47.20)	(14.20)	(51.10)	(37.10)	(27.90)	(5.10)	(27.90)	(27.90)	(14.20)	(N/A)	(5.30)	(51.50)	(G 1/8)

MULTI-STAGE GENERATOR
NMSV07 - Low Vacuum with Low Flow

● Performance Data

Imperial – Vacuum Flow (SCFM) vs. Vacuum Level ("Hg)											
Model #	Operating Pressure (psi)	Air Consumption SCFM	0"Hg	3"Hg	6"Hg	9"Hg	12"Hg	15"Hg	18"Hg	20"Hg	Max. "Hg
060L2	58.00	0.20	0.5	0.29	0.18	0.13	0.08	-	-	-	16.80
	72.50	0.20	0.55	0.35	0.19	0.16	0.12	0.08	-	-	20.70
	87.00	0.30	0.6	0.43	0.22	0.16	0.14	0.11	0.07	-	22.20

Evacuation Time in Seconds based on 1 Cubic Foot Volume/"Hg											
Model #	Operating Pressure (psi)	Air Consumption SCFM	0"Hg	3"Hg	6"Hg	9"Hg	12"Hg	15"Hg	18"Hg	20"Hg	Max. "Hg
060L2	58.00	0.20	0	10.50	39.90	79.30	144.40	-	-	-	16.80
	72.50	0.20	0	9.90	34.00	70.80	116.10	186.90	314.30	-	20.70
	87.00	0.30	0	9.60	31.10	68.00	116.10	175.60	254.90	404.90	22.20

Metric – Vacuum Flow (L/min) vs. Vacuum Level (mbar)											
Model #	Operating Pressure (bar)	Air Consumption L/min	0 mbar	100 mbar	200 mbar	300 mbar	400 mbar	500 mbar	600 mbar	700 mbar	Max. mbar
060L2	4.00	6.00	142.00	81.00	52.00	38.00	22.00	-	-	-	570.00
	5.00	7.00	157.00	100.00	55.00	45.00	34.00	22.00	-	-	700.00
	6.00	8.00	169.00	122.00	63.00	46.00	39.00	30.00	20.00	-	750.00

Evacuation Time in Seconds based on 1 Liter Volume/mbar											
Model #	Operating Pressure (bar)	Air Consumption L/min	0 mbar	100 mbar	200 mbar	300 mbar	400 mbar	500 mbar	600 mbar	700 mbar	Max. mbar
060L2	4.00	6.00	0	0.37	1.41	2.80	5.10	-	-	-	570.00
	5.00	7.00	0	0.35	1.20	2.50	4.10	6.60	11.10	-	700.00
	6.00	8.00	0	0.34	1.10	2.40	4.10	6.20	9.00	14.30	750.00

MULTI-STAGE GENERATOR
NMSV07 - Medium Vacuum with Medium Flow

● Performance Data

Model #	Operating Pressure (psi)	Air Consumption SCFM	Imperial – Vacuum Flow (SCFM) vs. Vacuum Level (“Hg)									
			0”Hg	3”Hg	6”Hg	9”Hg	12”Hg	15”Hg	18”Hg	20”Hg	24”Hg	Max. “Hg
060M1	80.00	1.00	0.50	0.40	0.30	0.22	0.15	0.08	0.03	-	-	20.00
	65.30	0.30	0.53	0.35	0.17	0.14	0.12	0.09	0.06	-	-	25.00
60M2	72.50	0.30	0.55	0.41	0.23	0.14	0.12	0.09	0.06	-	-	22.00
	87.00	0.40	0.61	0.50	0.33	0.16	0.12	0.08	0.05	-	-	26.00

Model #	Operating Pressure (psi)	Air Consumption SCFM	Evacuation Time in Seconds based on 1 Cubic Foot Volume/”Hg									
			0”Hg	3”Hg	6”Hg	9”Hg	12”Hg	15”Hg	18”Hg	20”Hg	24”Hg	Max.”Hg
060M1	80.00	1.00	0	12.50	25.10	43.90	68.60	99.30	153.70	227.00	-	20.00
	65.30	0.30	0	11.30	36.80	90.60	130.30	184.10	277.50	433.30	727.70	25.00
60M2	72.50	0.30	0	8.500	25.50	68.00	121.80	189.70	269.00	399.30	623.80	22.00
	87.00	0.40	0	5.70	19.80	48.10	104.80	167.10	269.00	410.60	634.60	26.00

Model #	Operating Pressure (bar)	Air Consumption L/min	Metric – Vacuum Flow (L/min) vs. Vacuum Level (mbar)									
			0 mbar	100 mbar	200 mbar	300 mbar	400 mbar	500 mbar	600 mbar	700 mbar	800 mbar	Max. mbar
060M1	5.50	14.00	14.20	11.30	8.50	6.20	4.20	2.30	0.80	-	-	677.00
	4.50	9.00	149.00	99.00	48.00	41.00	33.00	26.00	17.00	-	-	840.00
60M2	5.00	9.50	156.00	116.00	66.00	40.00	33.00	26.00	17.00	-	-	750.00
	6.00	10.50	172.00	142.00	93.00	45.00	33.00	23.00	14.00	-	-	890.00

Model #	Operating Pressure (bar)	Air Consumption L/min	Evacuation Time in Seconds based on 1 Liter Volume/mbar									
			0 mbar	100 mbar	200 mbar	300 mbar	400 mbar	500 mbar	600 mbar	700 mbar	800 mbar	Max. mbar
060M1	5.50	14.00	0	0.40	0.90	1.60	2.40	3.50	5.40	8.00	-	677.00
	4.50	9.00	0	0.40	1.30	3.20	4.60	6.50	9.80	15.30	25.70	840.00
60M2	5.00	9.50	0	0.30	0.90	2.40	4.30	6.70	9.50	14.10	22.03	750.00
	6.00	10.50	0	0.20	0.70	1.70	3.70	5.90	9.50	14.50	22.41	890.00

MULTI-STAGE GENERATOR

NMSV07 - High Vacuum with High Flow

● Performance Data

Model #	Operating Pressure (psi)	Air Consumption SCFM	Imperial – Vacuum Flow (SCFM) vs. Vacuum Level ("Hg)											
			0"Hg	3"Hg	6"Hg	9"Hg	12"Hg	15"Hg	18"Hg	20"Hg	24"Hg	27"Hg	28"Hg	Max. "Hg
060H1	80.00	0.80	0.50	0.38	0.32	0.30	0.27	0.23	0.20	0.13	0.05	0.02	0	28.00
	58.00	0.56	0.69	0.63	0.48	0.32	0.22	0.18	0.12	0.06	-	-	-	26.88
	87.00	0.76	0.66	0.61	0.53	0.46	0.34	0.21	0.1	0.06	-	-	-	26.58
060H2	80.00	0.80	0	15.00	29.80	50.60	74.50	102.80	135.90	183.20	245.90	410.20	790.80	28.00
	58.00	0.56	0	5.70	14.20	31.10	62.30	96.30	147.20	254.90	491.60	-	-	26.90
	87.00	0.76	0	5.70	14.20	25.50	42.50	73.60	133.10	218.00	455.60	-	-	26.60
Model #	Operating Pressure (psi)	Air Consumption SCFM	Evacuation Time in Seconds based on 1 Cubic Foot Volume/"Hg											
			0"Hg	3"Hg	6"Hg	9"Hg	12"Hg	15"Hg	18"Hg	20"Hg	24"Hg	27"Hg	28"Hg	Max. "Hg
060H1	80.00	0.80	0	15.00	29.80	50.60	74.50	102.80	135.90	183.20	245.90	410.20	790.80	28.00
	58.00	0.56	0	5.70	14.20	31.10	62.30	96.30	147.20	254.90	491.60	-	-	26.90
	87.00	0.76	0	5.70	14.20	25.50	42.50	73.60	133.10	218.00	455.60	-	-	26.60
060H2	80.00	0.80	0	15.00	29.80	50.60	74.50	102.80	135.90	183.20	245.90	410.20	790.80	28.00
	58.00	0.56	0	5.70	14.20	31.10	62.30	96.30	147.20	254.90	491.60	-	-	26.90
	87.00	0.76	0	5.70	14.20	25.50	42.50	73.60	133.10	218.00	455.60	-	-	26.60
Model #	Operating Pressure (bar)	Air Consumption L/min	Metric – Vacuum Flow (L/min) vs. Vacuum Level (mbar)											
			0 mbar	100 mbar	200 mbar	300 mbar	400 mbar	500 mbar	600 mbar	700 mbar	800 mbar	900 mbar	948 mbar	Max. mbar
060H1	5.50	22.70	14.20	10.80	9.10	8.50	7.60	6.50	5.70	3.70	1.40	0.60	0	948.00
	4.00	16.00	195.00	177.00	135.00	90.00	61.00	50.00	33.00	18.00	-	-	-	910.00
	6.00	21.50	187.00	174.00	151.00	131.00	97.00	60.00	27.00	18.00	-	-	-	900.00
060H2	5.50	22.70	0	0.50	1.10	1.80	2.60	3.60	4.80	6.50	8.70	14.50	27.90	948.00
	4.00	16.00	0	0.20	0.50	1.10	2.20	3.40	5.20	9.00	17.40	-	-	910.00
	6.00	21.50	0	0.20	0.50	0.90	1.50	2.60	4.70	7.70	16.10	-	-	900.00
Model #	Operating Pressure (bar)	Air Consumption L/min	Evacuation Time in Seconds based on 1 Liter Volume/mbar											
			0 mbar	100 mbar	200 mbar	300 mbar	400 mbar	500 mbar	600 mbar	700 mbar	800 mbar	900 mbar	948 mbar	Max. mbar
060H1	5.50	22.70	0	0.50	1.10	1.80	2.60	3.60	4.80	6.50	8.70	14.50	27.90	948.00
	4.00	16.00	0	0.20	0.50	1.10	2.20	3.40	5.20	9.00	17.40	-	-	910.00
	6.00	21.50	0	0.20	0.50	0.90	1.50	2.60	4.70	7.70	16.10	-	-	900.00

MULTI-STAGE GENERATOR

NMSV14 - Low Vacuum with Low Flow

● Performance Data

Model #	Operating Pressure (psi)	Air Consumption SCFM	Imperial – Vacuum Flow (SCFM) vs. Vacuum Level ("Hg)								
			0"Hg	3"Hg	6"Hg	9"Hg	12"Hg	15"Hg	18"Hg	20"Hg	Max. "Hg
090L1	80.00	0.500	1.30	1.10	0.70	0.20	0	-	-	-	10.00
090L2	87.00	1.60	1.41	1.34	1.08	0.94	0.78	0.60	0.42	0.12	21.30
	58.00	0.70	1.55	1.20	0.80	0.51	0.38	0.23	-	-	17.70
091L2	72.50	0.80	1.62	1.41	1.01	0.61	0.45	0.34	0.22	-	20.70
	87.00	1.00	1.62	1.48	1.15	0.8	0.42	0.35	0.29	0.21	22.20
100L1	80.00	1.40	2.10	1.60	1.10	0.50	0	-	-	-	10.00
	58.00	0.70	2.12	1.34	0.85	0.53	0.41	0.24	-	-	17.70
100L3	72.50	0.80	2.33	1.41	1.13	0.67	0.47	0.35	0.23	-	20.70
	87.00	1.00	2.40	1.48	1.27	0.85	0.46	0.36	0.30	0.22	22.20
150L1	80.00	1.80	3.5	2.50	1.90	0.70	0	-	-	-	10.00

Model #	Operating Pressure (psi)	Air Consumption SCFM	Evacuation Time in Seconds based on 1 Cubic Foot Volume/"Hg								
			0"Hg	3"Hg	6"Hg	9"Hg	12"Hg	15"Hg	18"Hg	20"Hg	Max. "Hg
090L1	80.00	0.50	0	3.26	7.93	18.65	39.63	-	-	-	10.00
090L2	87.00	1.60	0	1.10	5.10	11.00	17.60	26.90	41.60	87.80	21.30
	58.00	0.70	0	2.00	7.10	15.90	28.90	53.50	148.40	-	17.70
091L2	72.50	0.80	0	2.00	6.20	13.30	24.10	433.30	68.00	182.10	20.70
	87.00	1.00	0	2.00	5.70	11.00	21.00	38.20	60.60	94.90	22.20
100L1	80.00	1.40	0	2.33	4.66	10.88	24.00	-	-	-	10.00
	58.00	0.70	0	1.70	6.20	15.00	26.30	48.70	130.50	-	17.70
100L3	72.50	0.80	0	1.70	5.40	12.50	23.50	38.20	63.10	179.20	20.70
	87.00	1.00	0	1.40	5.40	10.80	19.30	35.70	58.90	86.40	22.20
150L1	80.00	1.80	0	1.54	4.36	10.77	22.83	-	-	-	10.00

MULTI-STAGE GENERATOR
NMSV14 - Low Vacuum with Low Flow

● Performance Data

Model #	Operating Pressure (bar)	Air Consumption L/min	Metric – Vacuum Flow (L/min) vs. Vacuum Level (mbar)								
			0 mbar	100 mbar	200 mbar	300 mbar	400 mbar	500 mbar	600 mbar	700 mbar	Max. mbar
090L1	5.50	14.20	368.16	311.52	198.24	56.64	-	-	-	-	338.6
090L2	6.00	46.00	400.00	380.00	305.00	267.00	220.00	170.00	120.00	35.00	720.00
	4.00	19.00	440.00	340.00	226.00	144.00	108.00	64.00			600.00
091L2	5.00	23.00	460.00	400.00	285.00	173.00	128.00	95.00	61.00		700.00
	6.00	27.00	460.00	420.00	326.00	226.00	120.00	98.00	83.00	59.00	750.00
100L1	5.50	39.60	594.72	453.12	311.52	141.60	-	-	-	-	338.60
	4.00	19.00	600.00	380.00	240.00	149.00	115.00	68.00	-	-	600.00
100L3	5.00	23.00	660.00	400.00	320.00	191.00	133.00	99.00	65.00		700.00
	6.00	27.00	680.00	420.00	360.00	240.00	130.00	102.00	84.00	63.00	750.00
150L1	5.50	51.00	991.20	708.00	538.08	198.24	-	-	-	-	338.60

Model #	Operating Pressure (bar)	Air Consumption L/min	Evacuation Time in Seconds based on 1 Liter Volume/mbar								
			0 mbar	100 mbar	200 mbar	300 mbar	400 mbar	500 mbar	600 mbar	700 mbar	Max. mbar
090L1	5.50	14.20	0	0.10	0.30	0.70	1.40	-	-	-	338.60
090L2	6.00	46.00	0	0.04	0.18	0.39	0.62	0.95	1.47	3.10	720.00
	4.00	19.00	0	0.07	0.25	0.56	1.02	1.89	5.24	-	600.00
091L2	5.00	23.00	0	0.07	0.22	0.47	0.85	15.30	2.40	6.43	700.00
	6.00	27.00	0	0.07	0.20	0.39	0.74	1.35	2.14	3.35	750.00
100L1	5.50	39.60	0	0.10	0.20	0.40	0.80	-	-	-	338.60
	4.00	19.00	0	0.06	0.22	0.53	0.93	1.72	4.61	-	600.00
100L3	5.00	23.00	0	0.06	0.19	0.44	0.83	1.35	2.23	6.33	700.00
	6.00	27.00	0	0.05	0.19	0.38	0.68	1.26	2.08	3.05	750.00
150L1	5.50	51.00	0	0.10	0.20	0.40	0.80	-	-	-	338.60

MULTI-STAGE GENERATOR

NMSV14 - Medium Vacuum with Medium Flow

● Performance Data

Imperial – Vacuum Flow (SCFM) vs. Vacuum Level ("Hg)												
Model #	Operating Pressure (psi)	Air Consumption SCFM	0"Hg	3"Hg	6"Hg	9"Hg	12"Hg	15"Hg	18"Hg	20"Hg	24"Hg	Max. "Hg
060M1	80.00	1.00	0.50	0.40	0.30	0.22	0.15	0.08	0.03	0	-	20.00
090M1	80.00	1.40	1.40	1.25	1.20	1.05	0.85	0.65	0.25	0	-	20.00
091M2	24.70	0.70	1.27	0.67	0.37	0.23	0.10	-	-	-	-	13.00
	31.90	0.80	1.34	0.99	0.55	0.39	0.27	0.13	-	-	-	17.00
	45.50	1.00	1.48	1.27	0.90	0.53	0.37	0.31	0.23	0.15	0.07	27.00
	58.00	1.20	1.48	1.34	1.06	0.81	0.53	0.28	0.21	0.15	0.04	26.00
100M1	80.00	1.80	2.10	2.00	1.85	1.75	1.60	1.25	0.80	0	-	20.00
100M3	24.70	0.70	1.62	0.70	0.37	0.25	0.11	-	-	-	-	13.00
	31.90	0.80	1.84	1.06	0.42	0.29	0.20	0.10	-	-	-	17.00
	45.50	1.00	2.19	1.34	0.99	0.35	0.27	0.24	0.17	0.10	0.05	27.00
	58.00	1.20	2.40	1.41	1.20	0.85	0.40	0.20	0.15	0.11	0.04	26.00
150M1	80.00	2.80	3.50	3.20	2.95	2.75	2.50	1.80	0.95	0	-	20.00

Evacuation Time in Seconds based on 1 Cubic Foot Volume/"Hg												
Model #	Operating Pressure (psi)	Air Consumption SCFM	0"Hg	3"Hg	6"Hg	9"Hg	12"Hg	15"Hg	18"Hg	20"Hg	24"Hg	Max. "Hg
060M1	80.00	1.00	0	12.50	25.10	43.90	68.60	99.30	153.70	227.00	-	20.00
090M1	80.00	1.40	0	3.75	7.20	12.40	19.10	29.90	52.00	104.00	-	20.00
091M2	24.70	0.70	0	4.20	15.60	35.70	82.10	-	-	-	-	13.00
	31.90	0.80	0	4.00	10.50	24.90	44.70	78.70	-	-	-	17.00
	45.50	1.00	0	3.40	8.20	16.70	30.30	52.70	75.30	122.60	190.30	27.00
	58.00	1.20	0	3.40	7.40	13.90	21.80	42.50	70.20	112.70	199.60	26.00
100M1	80.00	1.80	0	2.65	5.80	9.90	16.20	22.90	36.20	56.60	-	20.00
100M3	24.70	0.70	0	3.70	14.70	34.50	77.90	-	-	-	-	13.00
	31.90	0.80	0	2.30	8.80	19.80	37.70	71.90	-	-	-	17.00
	45.50	1.00	0	1.70	5.90	12.70	26.60	44.70	68.00	108.50	171.90	27.00
	58.00	1.20	0	1.70	5.90	10.80	19.00	35.70	66.80	106.20	186.00	26.00
150M1	80.00	2.80	0	1.35	3.20	5.20	7.70	11.80	23.40	52.00	-	20.00

MULTI-STAGE GENERATOR

NMSV14 - Medium Vacuum with Medium Flow

● Performance Data

Model #	Operating Pressure (bar)	Air Consumption L/min	Metric – Vacuum Flow (L/min) vs. Vacuum Level (mbar)									
			0 mbar	100 mbar	200 mbar	300 mbar	400 mbar	500 mbar	600 mbar	700 mbar	800 mbar	Max. mbar
060M1	5.50	14.00	14.20	11.30	8.50	6.20	4.20	2.30	0.80	0	-	677.00
090M1	5.50	39.60	39.60	35.40	34.00	29.70	24.10	18.40	7.10	0	-	677.00
091M2	1.70	19.00	360.00	190.00	105.00	66.00	28.00	-	-	-	-	430.00
	2.20	22.50	380.00	280.00	155.00	110.00	77.00	38.00	-	-	-	580.00
	3.10	29.00	420.00	360.00	256.00	149.00	104.00	89.00	66.00	42.00	19.00	900.00
	4.00	33.00	420.00	380.00	300.00	230.00	150.00	80.00	59.00	43.00	11.00	880.00
100M1	5.50	51.00	59.50	56.60	52.40	49.60	45.30	35.40	22.70	0	-	677.00
100M3	1.70	19.00	460.00	19.90	105.00	70.00	30.00	-	-	-	-	430.00
	2.20	22.50	520.00	300.00	120.00	82.00	58.00	27.00	-	-	-	580.00
	3.10	29.00	620.00	380.00	280.00	100.00	77.00	67.00	48.00	29.00	14.00	900.00
	4.00	33.00	680.00	400.00	340.00	240.00	114.00	57.00	42.00	30.00	12.00	880.00
150M1	5.50	79.30	99.10	90.60	83.50	77.90	70.80	51.00	26.90	0	-	677.00

Model #	Operating Pressure (bar)	Air Consumption L/min	Evacuation Time in Seconds based on 1 Liter Volume/mbar									
			0 mbar	100 mbar	200 mbar	300 mbar	400 mbar	500 mbar	600 mbar	700 mbar	800 mbar	Max. mbar
060M1	5.50	14.00	0	0.40	0.90	1.60	2.40	3.50	5.40	8.00	-	677.00
090M1	5.50	39.60	0	0.10	0.23	0.40	0.70	1.10	1.80	3.70	-	677.00
091M2	1.70	19.00	0	0.15	0.55	1.26	2.90	-	-	-	-	430.00
	2.20	22.50	0	0.14	0.37	0.88	1.58	2.78	-	-	-	580.00
	3.10	29.00	0	0.12	0.29	0.59	1.07	1.86	2.66	4.33	6.72	900.00
	4.00	33.00	0	0.12	0.26	0.49	0.77	1.50	2.48	3.98	7.05	880.00
100M1	5.50	51.00	0	0.10	0.20	0.30	0.60	0.80	1.30	2.00	-	677.00
100M3	1.70	19.00	0	0.13	0.52	1.22	2.75	-	-	-	-	430.00
	2.20	22.50	0	0.08	0.31	0.70	1.33	2.54	-	-	-	580.00
	3.10	29.00	0	0.06	0.21	0.45	0.94	1.58	2.40	3.83	6.07	900.00
	4.00	33.00	0	0.06	0.21	0.38	0.67	1.26	2.36	3.75	6.57	880.00
150M1	5.50	79.30	0	0	0.10	0.20	0.30	0.40	0.80	1.80	-	677.00

MULTI-STAGE GENERATOR

NMSV14 - High Vacuum with High Flow

● Performance Data

Model #	Operating Pressure (psi)	Air Consumption SCFM	Imperial – Vacuum Flow (SCFM) vs. Vacuum Level ("Hg)											
			0"Hg	3"Hg	6"Hg	9"Hg	12"Hg	15"Hg	18"Hg	20"Hg	24"Hg	27"Hg	28"Hg	Max. "Hg
060H1	80.00	0.80	0.50	0.38	0.32	0.30	0.27	0.23	0.20	0.13	0.05	0.02	0	28.00
090H1	80.00	1.80	1.20	1.00	0.95	0.90	0.85	0.75	0.70	0.52	0.47	0.20	0	28.00
	65.30	0.97	1.55	1.41	1.00	0.66	0.38	0.33	0.24	0.16	0.08	-	-	26.88
091H2	72.50	1.06	1.55	1.41	1.08	0.78	0.48	0.31	0.23	0.16	0.07	-	-	27.76
	87.00	1.22	1.48	1.41	1.17	0.95	0.66	0.33	0.22	0.16	0.05	-	-	27.47
100H1	80.00	2.80	2.00	1.85	1.75	1.57	1.40	1.25	1.05	0.84	0.70	0.35	0	28.00
	65.30	0.97	2.26	1.41	1.13	0.64	0.40	0.34	0.26	0.17	0.10	-	-	26.88
100H3	72.50	1.06	2.33	1.41	1.20	0.85	0.50	0.33	0.24	0.17	0.08	-	-	27.76
	87.00	1.22	2.40	1.55	1.20	1.06	0.71	0.37	0.23	0.17	0.06	-	-	27.47
150H1	80.00	4.80	3.20	2.80	2.50	2.30	2.00	1.60	1.40	1.20	0.80	0.50	0	28.00

Model #	Operating Pressure (psi)	Air Consumption SCFM	Evacuation Time in Seconds based on 1 Cubic Foot Volume/"Hg											
			0"Hg	3"Hg	6"Hg	9"Hg	12"Hg	15"Hg	18"Hg	21"Hg	24"Hg	27"Hg	28"Hg	Max. "Hg
060H1	80.00	0.80	0	15.00	29.80	50.60	74.50	102.80	135.90	183.20	245.90	410.20	790.80	28.00
090H1	80.00	1.80	0	6.50	12.30	18.90	32.50	47.00	65.40	92.20	130.00	222.20	281.30	28.00
	65.30	0.97	0	3.10	7.60	14.70	27.80	29.70	68.20	109.60	175.60	-	-	26.90
091H2	72.50	1.06	0	3.40	7.60	13.60	23.50	42.20	70.50	106.80	175.30	-	-	27.80
	87.00	1.22	0	3.40	7.40	12.70	20.40	34.30	66.00	104.20	179.80	-	-	27.50
100H1	80.00	2.80	0	2.70	6.50	11.20	17.50	25.80	38.40	55.20	79.20	166.70	251.80	28.00
	65.30	0.97	0	1.70	5.40	11.30	21.50	41.10	62.60	98.80	157.20	-	-	26.90
100H3	72.50	1.06	0	1.40	5.40	10.50	18.70	35.70	60.60	97.70	158.60	-	-	27.80
	87.00	1.22	0	1.40	5.10	9.90	16.70	28.90	59.50	93.70	162.00	-	-	27.50
150H1	80.00	4.80	0	2.30	3.80	6.50	10.20	14.20	21.30	44.90	55.00	81.00	125.00	28.00

MULTI-STAGE GENERATOR

NMSV14 - High Vacuum with High Flow

● Performance Data

Model #	Operating Pressure (bar)	Air Consumption L/min	Metric – Vacuum Flow (L/min) vs. Vacuum Level (mbar)											
			0 mbar	100 mbar	200mbar	300 mbar	400 mbar	500 mbar	600 mbar	700 mbar	800 mbar	900 mbar	948 mbar	Max. mbar
060H1	5.50	22.70	14.20	10.80	9.10	8.50	7.60	6.50	5.70	3.70	1.40	0.60	0	948.00
090H1	5.50	51.00	34.00	28.30	26.90	25.50	24.10	21.20	19.80	14.70	13.30	5.70	0	948.00
091H2	4.50	27.50	440.00	400.00	284.00	188.00	107.00	94.00	69.00	46.00	23.00	-	-	910.00
	5.00	30.00	440.00	400.00	306.00	222.00	135.00	89.00	66.00	45.00	20.00	-	-	940.00
100H1	6.00	34.50	420.00	400.00	330.00	269.00	187.00	94.00	62.00	46.00	14.00	-	-	930.00
	5.50	79.30	56.60	52.40	49.60	44.50	39.60	35.40	29.70	23.80	19.80	9.90	0	948.00
100H3	4.50	27.50	640.00	400.00	320.00	180.00	113.00	97.00	73.00	49.00	27.00	-	-	910.00
	5.00	30.00	660.00	400.00	340.00	240.00	143.00	93.00	69.00	48.00	24.00	-	-	940.00
150H1	6.00	34.50	680.00	440.00	340.00	300.00	200.00	105.00	65.00	49.00	17.00	-	-	930.00
	5.50	135.90	90.60	79.30	70.80	65.10	56.60	45.30	39.60	34.00	22.70	14.60	0	948.00

Model #	Operating Pressure (bar)	Air Consumption L/min	Evacuation Time in Seconds based on 1 Liter Volume/mbar											
			0 mbar	100 mbar	200 mbar	300 mbar	400 mbar	500 mbar	600 mbar	700 mbar	800 mbar	900 mbar	948 mbar	Max. mbar
060H1	5.50	22.70	0	0.50	1.10	1.80	2.60	3.60	4.80	6.50	8.70	14.50	27.90	948.00
090H1	5.50	51.00	0	0.20	0.40	0.70	1.10	1.70	2.30	3.30	4.60	7.80	9.90	948.00
091H2	4.50	27.50	0	0.10	0.30	0.50	1.00	1.10	2.40	3.90	6.20	-	-	910.00
	5.00	30.00	0	0.10	0.30	0.50	0.80	1.50	2.50	3.80	6.20	-	-	940.00
100H1	6.00	34.50	0	0.10	0.30	0.50	0.70	1.20	2.30	3.70	6.40	-	-	930.00
	5.50	79.30	0	0.10	0.20	0.40	0.60	0.90	1.40	1.90	2.80	5.90	8.90	948.00
100H3	4.50	27.50	0	0.10	0.20	0.40	0.80	1.50	2.20	3.50	5.60	-	-	910.00
	5.00	30.00	0	0.10	0.20	0.40	0.70	1.30	2.10	3.50	5.60	-	-	940.00
150H1	6.00	34.50	0	0.10	0.20	0.40	0.60	1.00	2.10	3.30	5.70	-	-	930.00
	5.50	135.90	0	0.10	0.10	0.20	0.30	0.50	0.80	1.60	1.90	2.90	4.40	948.00

MULTI-STAGE GENERATOR

NMSV25 - Low Vacuum with Low Flow

● Performance Data

Model #	Operating Pressure (psi)	Air Consumption SCFM	Imperial – Vacuum Flow (SCFM) vs. Vacuum Level (“Hg)								
			0”Hg	3”Hg	6”Hg	9”Hg	12”Hg	15”Hg	18”Hg	20”Hg	Max. “Hg
200L1	80.00	2.80	6.00	5.80	4.30	1.70	0	-	-	-	10.00
	58.00	4.20	6.07	4.80	3.25	2.12	1.55	0.93	0.37	-	17.70
200L2	72.50	4.40	6.36	5.51	4.10	2.54	1.69	1.27	0.95	0.45	20.70
	87.00	4.60	6.29	5.79	4.73	3.32	1.77	1.34	1.13	0.65	22.20
250L1	80.00	4.80	9.50	7.90	5.70	2.20	0	-	-	-	10.00
	58.00	4.20	12.36	5.37	3.88	2.26	1.77	0.94	0.41	-	17.70
265L3	72.50	4.40	13.06	6.53	4.41	3.18	1.77	1.28	0.96	0.49	20.70
	87.00	4.60	13.77	7.42	4.77	3.53	2.30	1.24	1.07	0.65	22.20
300L1	80.00	7.80	20.00	14.00	9.50	3.50	0	-	-	-	10.00
350L1	80.00	12.50	28.00	18.00	12.30	4.50	0	-	-	-	10.00

Model #	Operating Pressure (psi)	Air Consumption SCFM	Evacuation Time in Seconds based on 1 Cubic Foot Volume/”Hg								
			0”Hg	3”Hg	6”Hg	9”Hg	12”Hg	15”Hg	18”Hg	20”Hg	Max”Hg
200L1	80.00	2.80	0	0.77	2.05	4.62	13.34	-	-	-	10.00
	58.00	4.20	0	1.10	2.30	4.50	5.70	13.30	27.80	-	17.70
200L2	72.50	4.40	0	1.10	2.30	4.00	7.10	11.00	17.80	33.10	20.70
	87.00	4.60	0	1.10	2.30	3.70	5.90	10.20	15.60	24.40	22.20
250L1	80.00	4.80	0	0.52	1.28	3.08	7.95	-	-	-	10.00
	58.00	4.20	0	0.80	2.30	4.20	7.40	12.50	26.60	-	17.70
265L3	72.50	4.40	0	0.80	2.00	3.70	6.50	10.80	17.30	30.30	20.70
	87.00	4.60	0	0.80	1.40	2.80	5.10	10.20	15.90	24.60	22.20
300L1	80.00	7.80	0	0.26	0.77	1.80	4.10	-	-	-	10.00
350L1	80.00	12.50	0	0	0.52	1.28	2.82	-	-	-	10.00

MULTI-STAGE GENERATOR
NMSV25 - Low Vacuum with Low Flow

● Performance Data

Model #	Operating Pressure (bar)	Air Consumption L/min	Metric – Vacuum Flow (L/min) vs. Vacuum Level (mbar)									
			0 mbar	100 mbar	200mbar	300 mbar	400 mbar	500 mbar	600 mbar	700 mbar	948 mbar	Max. mbar
200L1	5.50	79.30	1699.20	1642.56	1217.76	481.44	-	-	-	-	338.60	948.00
	4.00	120.00	1720.00	1360.00	920.00	600.00	440.00	262.00	105.00	-	600.00	910.00
200L2	5.00	125.00	1800.00	1560.00	1160.00	720.00	480.00	360.00	269.00	128.00	700.00	950.00
	6.00	130.00	1780.00	1640.00	1340.00	940.00	500.00	380.00	320.00	183.00	750.00	940.00
250L1	5.50	135.90	2690.40	2237.28	1614.24	623.04	-	-	-	-	338.60	948.00
	4.00	120.00	3500.00	1520.00	1100.00	640.00	500.00	267.00	115.00	-	600.00	910.00
265L3	5.00	125.00	3700.00	1850.00	1250.00	900.00	500.00	362.00	273.00	139.00	700.00	950.00
	6.00	130.00	3900.00	2100.00	1350.00	1000.00	650.00	351.00	303.00	183.00	750.00	940.00
300L1	5.50	220.90	5664.00	3964.80	2690.40	991.20	-	-	-	-	338.60	948.00
350L1	5.50	354.00	7929.60	5097.60	3483.36	1274.40	-	-	-	-	338.60	948.00

Model #	Operating Pressure (bar)	Air Consumption L/min	Evacuation Time in Seconds based on 1 Liter Volume/mbar									
			0 mbar	100 mbar	200 mbar	300 mbar	400 mbar	500 mbar	600 mbar	700 mbar	948 mbar	Max. mbar
200L1	5.50	79.30	0	0	0.10	0.20	0.50	-	-	-	338.60	948.00
	4.00	120.00	0	0.04	0.08	0.16	0.20	0.47	0.98	-	600.00	910.00
200L2	5.00	125.00	0	0.04	0.08	0.14	0.25	0.39	0.63	1.17	700.00	950.00
	6.00	130.00	0	0.04	0.08	0.13	0.21	0.36	0.55	0.86	750.00	940.00
250L1	5.50	135.90	0	0	0	0.10	0.30	-	-	-	338.60	948.00
	4.00	120.00	0	0.03	0.08	0.15	0.26	0.44	0.94	-	600.00	910.00
265L3	5.00	125.00	0	0.03	0.07	0.13	0.23	0.38	0.61	1.07	700.00	950.00
	6.00	130.00	0	0.03	0.05	0.10	0.18	0.36	0.56	0.87	750.00	940.00
300L1	5.50	220.90	0	0	0	0.10	0.10	-	-	-	338.60	948.00
350L1	5.50	354.00	0	0	0	0	0.10	-	-	-	338.60	948.00

MULTI-STAGE GENERATOR

NMSV25 - Medium Vacuum with Medium Flow

● Performance Data

Model #	Operating Pressure (psi)	Air Consumption SCFM	Imperial – Vacuum Flow (SCFM) vs. Vacuum Level (“Hg)								
			0”Hg	3”Hg	6”Hg	9”Hg	12”Hg	15”Hg	18”Hg	20”Hg	Max. “Hg
200M1	80.00	4.80	6.00	5.30	4.90	4.00	3.50	2.50	1.10	0	20.00
250M1	80.00	7.80	9.50	9.20	8.30	7.00	4.70	3.40	2.20	0	20.00
300M1	80.00	12.50	20.00	19.00	16.30	13.80	8.10	5.50	3.30	0	20.00
350M1	80.00	22.00	28.00	24.00	19.40	16.80	14.50	11.20	4.80	0	20.00

Model #	Operating Pressure (psi)	Air Consumption SCFM	Evacuation Time in Seconds based on 1 Cubic Foot Volume/”Hg								
			0”Hg	3”Hg	6”Hg	9”Hg	12”Hg	15”Hg	18”Hg	20”Hg	Max. “Hg
200M1	80.00	4.80	0	0.75	1.90	3.20	5.30	8.70	17.10	42.60	20.00
250M1	80.00	7.80	0	0.45	1.10	2.40	3.80	6.00	9.70	15.40	20.00
300M1	80.00	12.50	0	0	0	1.10	1.80	2.70	4.60	8.70	20.00
350M1	80.00	22.00	0	0	0	1.00	1.50	2.10	4.30	8.40	20.00

Model #	Operating Pressure (bar)	Air Consumption L/min	Metric – Vacuum Flow (L/min) vs. Vacuum Level (mbar)								
			0 mbar	100 mbar	200 mbar	300 mbar	400 mbar	500 mbar	600 mbar	700 mbar	Max. mbar
200M1	5.50	135.90	169.90	150.10	138.80	113.30	99.10	70.80	31.10	0	677.00
250M1	5.50	220.90	269.00	260.50	235.00	198.20	133.10	96.30	62.30	0	677.00
300M1	5.50	354.00	566.30	538.00	461.60	390.80	229.40	155.70	93.40	0	677.00
350M1	5.50	623.00	792.90	679.60	549.30	475.70	410.60	317.10	135.90	0	677.00

Model #	Operating Pressure (bar)	Air Consumption L/min	Evacuation Time in Seconds based on 1 Liter Volume/mbar								
			0 mbar	100 mbar	200 mbar	300 mbar	400 mbar	500 mbar	600 mbar	700 mbar	Max. mbar
200M1	5.50	135.90	0	0	0.10	0.10	0.20	0.30	0.60	1.50	677.00
250M1	5.50	220.90	0	0	0	0.10	0.10	0.20	0.30	0.50	677.00
300M1	5.50	354.00	0	0	0	0	0.10	0.10	0.20	0.30	677.00
350M1	5.50	623.00	0	0	0	0	0.10	0.10	0.20	0.30	677.00

MULTI-STAGE GENERATOR
NMSV25 - High Vacuum with High Flow

● Performance Data

Model #	Operating Pressure (psi)	Air Consumption SCFM	Imperial – Vacuum Flow (SCFM) vs. Vacuum Level ("Hg)											
			0"Hg	3"Hg	6"Hg	9"Hg	12"Hg	15"Hg	18"Hg	20"Hg	24"Hg	27"Hg	28"Hg	Max. "Hg
200H1	80.00	7.80	5.40	4.70	3.85	3.30	3.00	2.60	2.10	1.60	1.20	0.60	0	28.00
	65.30	4.24	6.00	4.80	3.53	2.05	1.41	1.27	0.88	0.63	0.41	0.11	-	26.88
200H2	72.50	4.41	6.00	4.94	3.74	2.61	1.62	1.20	0.85	0.62	0.38	0.10	-	28.06
	87.00	4.77	5.72	5.01	4.10	3.25	2.40	1.41	0.79	0.63	0.33	0.08	-	27.76
250H1	80.00	12.50	9.00	8.50	7.85	7.00	6.50	5.30	3.90	2.50	1.80	0.90	0	28.00
	65.30	4.24	12.36	6.18	4.24	2.82	1.55	1.15	0.87	0.63	0.41	0.11	-	26.88
265H3	72.50	4.41	12.71	6.71	4.41	3.35	2.30	1.27	0.92	0.62	0.38	0.10	-	28.06
	87.00	4.77	13.42	7.77	4.59	3.71	3.18	1.91	0.92	0.63	0.33	0.08	-	27.76
300H1	80.00	22.00	20.00	17.00	14.00	12.70	12.00	10.00	7.40	4.90	2.70	1.30	0	28.00
350H1	80.00	28.00	28.00	22.00	18.70	15.90	14.50	11.80	8.10	5.70	4.50	2.30	0	28.00

Model #	Operating Pressure (psi)	Air Consumption SCFM	Evacuation Time in Seconds based on 1 Cubic Foot Volume/"Hg											
			0"Hg	3"Hg	6"Hg	9"Hg	12"Hg	15"Hg	18"Hg	21"Hg	24"Hg	27"Hg	28"Hg	Max. "Hg
200H1	80.00	7.80	0	1.20	2.10	3.40	5.20	7.70	11.50	20.00	33.50	62.60	98.10	28.00
	65.30	4.24	0	1.10	2.30	4.20	7.90	13.00	18.70	28.00	42.80	87.80	-	26.90
200H2	72.50	4.41	0	1.10	2.30	4.00	6.80	11.60	18.70	28.90	43.00	92.60	-	28.10
	87.00	4.77	0	1.10	2.30	4.00	5.70	8.50	16.10	26.90	43.90	104.80	-	27.80
250H1	80.00	12.50	0	0.80	1.30	2.20	3.50	5.60	9.10	17.40	30.10	56.00	76.00	28.00
	65.30	4.24	0	0.80	2.00	3.70	6.50	10.80	17.80	27.50	42.50	92.00	-	26.90
265H3	72.50	4.41	0	0.80	2.00	4.00	5.90	10.50	17.60	28.00	41.30	91.50	-	28.10
	87.00	4.77	0	0.80	1.40	2.80	4.50	7.60	13.30	24.40	41.10	111.00	-	27.80
300H1	80.00	22.00	0	0	0.80	1.20	2.00	2.80	3.90	5.90	11.10	32.70	60.00	28.00
350H1	80.00	28.00	0	0	0	1.20	1.90	2.30	3.40	5.30	8.80	26.00	44.00	28.00

MULTI-STAGE GENERATOR

NMSV25 - High Vacuum with High Flow

● Performance Data

Model #	Operating Pressure (bar)	Air Consumption L/min	Metric – Vacuum Flow (L/min) vs. Vacuum Level (mbar)											
			0 mbar	100 mbar	200mbar	300 mbar	400 mbar	500 mbar	600 mbar	700 mbar	800 mbar	900 mbar	948 mbar	Max. mbar
200H1	5.50	220.90	152.90	133.10	109.00	93.40	85.00	73.60	59.50	45.30	34.00	17.00	0	948.00
	4.50	120.00	1700.00	1360.00	1000.00	580.00	400.00	360.00	250.00	178.00	117.00	31.00	-	910.00
200H2	5.00	125.00	1700.00	1400.00	1060.00	740.00	460.00	340.00	240.00	176.00	108.00	29.00	-	950.00
	6.00	135.00	1620.00	1420.00	1160.00	920.00	680.00	400.00	225.00	178.00	94.00	23.00	-	940.00
250H1	5.50	354.00	254.90	240.70	22.30	198.20	184.10	150.10	110.40	70.80	51.00	25.50	0	948.00
	4.50	120.00	3500.00	1750.00	1200.00	800.00	440.00	327.00	245.00	178.00	116.00	32.00	-	910.00
265H3	5.00	125.00	3600.00	1900.00	1250.00	950.00	650.00	360.00	260.00	176.00	108.00	28.00	-	950.00
	6.00	135.00	3800.00	2200.00	1300.00	1050.00	900.00	540.00	260.00	178.00	93.00	22.00	-	940.00
300H1	5.50	623.00	566.30	481.40	396.40	359.60	339.80	238.20	209.50	138.80	76.50	36.80	0	948.00
350H1	5.50	792.90	792.90	623.00	529.50	750.20	410.60	334.10	229.40	161.40	127.40	63.70	0	948.00

Model #	Operating Pressure (bar)	Air Consumption L/min	Evacuation Time in Seconds based on 1 Liter Volume/mbar											
			0 mbar	100 mbar	200 mbar	300 mbar	400 mbar	500 mbar	600 mbar	700 mbar	800 mbar	900 mbar	948 mbar	Max. mbar
200H1	5.50	220.90	0	0	0.10	0.10	0.20	0.30	0.40	0.70	1.20	2.20	3.50	948.00
	4.50	120.00	0	0	0.10	0.20	0.30	0.50	0.70	1.00	1.50	3.10	-	910.00
200H2	5.00	125.00	0	0	0.10	0.10	0.20	0.40	0.70	1.00	1.50	3.30	-	950.00
	6.00	135.00	0	0	0.10	0.10	0.20	0.30	0.60	1.00	1.60	3.70	-	940.00
250H1	5.50	354.00	0	0	0	0.10	0.10	0.20	0.30	0.60	1.10	2.00	2.70	948.00
	4.50	120.00	0	0	0.10	0.10	0.20	0.40	0.60	1.00	1.50	3.30	-	910.00
265H3	5.00	125.00	0	0	0.10	0.10	0.20	0.40	0.60	1.00	1.50	3.20	-	950.00
	6.00	135.00	0	0	0.10	0.10	0.20	0.30	0.50	0.90	1.50	3.90	-	940.00
300H1	5.50	623.00	0	0	0	0	0.10	0.10	0.10	0.20	0.40	1.20	2.10	948.00
350H1	5.50	792.90	0	0	0	0	0.10	0.10	0.10	0.20	0.30	0.90	1.60	948.00