

# KIP Series 6

## Series 6

Series 6	Orifice Diameter		Cv Factor		MOPD (psi)	Standard Valve Body Grommet				Manifold Mount** Valve Body-Grommet	
						Stainless Steel		Brass		Stainless Steel	Brass
	Body	Stop	Body	Stop		1/8" NPTF	1/4" NPTF	1/8" NPTF	1/4" NPTF		
<b>2-Way Normally Open</b>		1/32		0.035	1000	641020	651020	641120	651120	661020	661120
		3/64		0.050	600	641021	651021	641121	651121	661021	661121
		1/16		0.095	350	641022	651022	641122	651122	661022	661122
		5/64		0.140	250	641023	651023	641123	651123	661023	661123
		3/32		0.200	175	641024	651024	641124	651124	661024	661124
		1/8		0.295	100	641025	651025	641125	651125	661025	661125
<b>2-Way Normally Closed</b>	1/32		0.035		1200	641010	651010	641110	651110	661010	661110
	3/64		0.050		1000	641011	651011	641111	651111	661011	661111
	1/16		0.095		500	641012	651012	641112	651112	661012	661112
	5/64		0.140		300	641013	651013	641113	651113	661013	661113
	3/32		0.200		200	641014	651014	641114	651114	661014	661114
	1/8		0.295		150	641015	651015	641115	651115	661015	661115
	5/32		0.370		110	641016	651016	641116	651116	661016	661116
	3/16		0.435		60	641017	651017	641117	651117	661017	661117
	1/4		0.610		30	641018	651018	641118	651118	661018	661118
	3/8		0.900		5	—	681019†	—	681119†	—	—
<b>3-Way Normally Open</b>	1/32	1/32	0.035	0.025	400	641050	651050	641150	651150	661050	661150
	3/64	3/64	0.050	0.065	250	641051	651051	641151	651151	661051	661151
	1/16	1/16	0.090	0.115	200	641052	651052	641152	651152	661052	661152
	5/64	5/64	0.135	0.180	175	641053	651053	641153	651153	661053	661153
	3/32	3/32	0.180	0.210	125	641054	651054	641154	651154	661054	661154
	1/8	1/8	0.275	0.240	85	641055	651055	641155	651155	661055	661155
	5/32	1/8	0.370	0.240	50	641056	651056	641156	651156	661056	661156
	3/16	1/8	0.455	0.240	35	641057	651057	641157	651157	661057	661157
	1/4	1/8	0.650	0.240	15	641058	651058	641158	651158	661058	661158
<b>3-Way Normally Closed</b> (For free vent, change fifth digit from 4 to 3)	1/32	1/32	0.035	0.025	300	641040	651040	641140	651140	661040	661140
	3/64	3/64	0.050	0.065	250	641041	651041	641141	651141	661041	661141
	1/16	1/16	0.090	0.115	200	641042	651042	641142	651142	661042	661142
	5/64	5/64	0.135	0.180	175	641043	651043	641143	651143	661044	661144
	3/32	3/32	0.180	0.210	125	641044	651044	641144	651144	661045	661145
	1/8	1/8	0.275	0.240	85	641045	651045	641145	651145	661046	661146
	5/32	1/8	0.370	0.240	50	641046	651046	641146	651146	661047	661147
	3/16	1/8	0.455	0.240	30	641047	651047	641147	651147	661048	661148
	1/4	1/8	0.650	0.240	15	641048	651048	641148	651148	-	-
<b>3-Way Multi-Purpose</b>	1/32	1/32	0.035	0.025	275	641060	651060	641160	651160	661060	661160
	3/64	3/64	0.050	0.065	200	641061	651061	641161	651161	661061	661161
	1/16	1/16	0.090	0.115	175	641062	651062	641162	651162	661062	661162
	5/64	5/64	0.135	0.180	125	641063	651063	641163	651163	661063	661163
	3/32	3/32	0.180	0.210	100	641064	651064	641164	651164	661064	661164
	1/8	1/8	0.750	0.240	60	641065	651065	641165	651165	661065	661165
	5/32	1/8	0.370	0.240	40	641066	651066	641166	651166	661066	661166
	3/16	1/8	0.455	0.240	25	641067	651067	641167	651167	661067	661167
1/4	1/8	0.650	0.240	15	641068	651068	641168	651168	661068	661168	

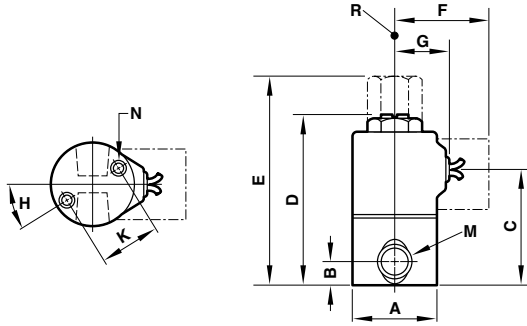
Note: Series 6 manifold mount 3-Way valves have a 1/4" NPTF adapter as standard. 1/8" NPTF available upon request.

\*\* Manifold Mount valve has maximum 400 MOPD rating for UL recognition.

† These valves are supplied with 3/8" NPTF ports.

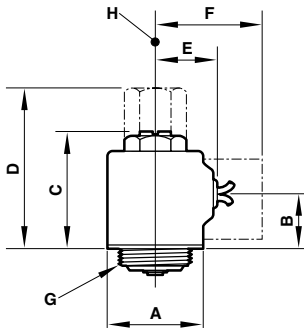
# KIP Series 6

## Series 6



### Standard Valve

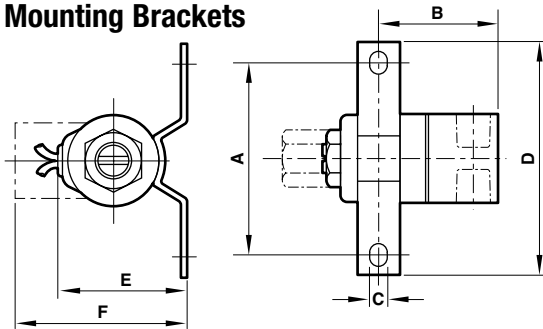
	A	B	C	D	E	F	G	H	K	M	N	R
<b>Series 6</b>	1.62 (41)	.344 (9)	G-2.04 (52) C-1.87 (48)	2.86 (73)	3.54 (90)	1.58 (40)	1.03 (26)	45°	1.24 (31)	1/8-27 NPTF or 1/4-18 NPTF	#10-32 UNF x 5/16 MFT	1/8-27 NPTF or 1/4-18 NPTF



### Operator Standard

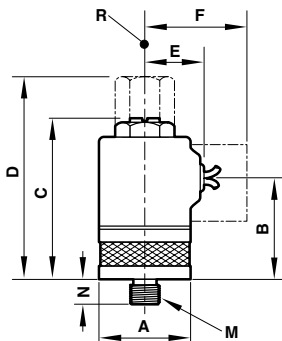
	A	B	C	D	E	F	G	H
<b>Series 6</b>	1.64 (42)	G-.97 (25) C-.80 (20)	1.79 (46)	2.48 (63)	1.03 (26)	1.58 (40)	1-32 UN	1/8-27 NPTF or 1/4-18 NPTF

### Mounting Brackets



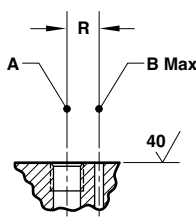
### Bracket Dimensions

	A	B	C	D	E	F
<b>Series 6</b>	2.13 (54)	1.97 (50)	.20 (5)	2.63 (67)	2.15 (55)	2.68 (68)



### Manifold Mount Valve

	A	B	C	D	E	F	m	n	r
<b>Series 6</b>	1.62 (41)	G-1.73 (44) C-1.56 (40)	2.55 (65)	3.23 (82)	1.03 (26)	1.58 (40)	1/2 20 UNF	.31 (8)	1/8-27 NPTF or 1/4-18 NPTF



### Manifold Mount Interface

	A	B	R
<b>Series 6</b>	1/2 - 20 UNF-2B x .32 MFT	.27 (7)	.51 (13)

NOTE: A is underseat connection\*\* B is overseat connection\*\*\*