

HBL84 -Filter/regulator - Lubricator Combination Units Excelon® Plus Modular System



- > Port size: 3/8" ... 3/4" (ISO G/PTF)
- > Unique Quikclamp connection system offers full modularity
- > 40 micron particle and high efficiency water removal (> 98%)
- > Double safety lock on bowl
- > Shut off valve, regulator & filter regulator with tamper resistance feature.
- > Metal bowl with prismatic liquid level indicator
- > Salt spray compliant to ISO 9227
- > ABS cover with high impact properties
- > Easy to read flush mounted integrated pressure gauge as standard
- > All round (360°) visibility of sightdome for ease of drip rate setting



Technical features

Medium:

Compressed air only

Maximum supply pressure:

290 psi (20 bar)

Outlet pressure ranges:

4 ... 145 psi (0.3 ...10 bar)

Filter element:

40 µm

Port size:

G3/8, G1/2, G3/4,
3/8 PTF, 1/2 PTF, 3/4 PTF

Gauge:

Integrated as standard

Diaphragm Type:

Relieving

Drain:

Manual or automatic

Automatic drain operating conditions (float operated):

Bowl pressure required to close drain: > 5 psi (0.35 bar)

Bowl pressure required to open drain: ≤ 2.9 psi (0.2 bar)

Minimum air flow required to close drain: 1 dm³/s (2 scfm)

Ambient/Media temperature:

-4 ... +149°F (-20... +65°C)

Air supply must be dry enough to avoid ice formation at temperatures below +35°F (+2°C).

Materials:

Body: Die cast aluminum

Body covers:

ABS (Magnum 3904)

Bonnet: Acetal

Metal Bowl: Die cast aluminum with PA liquid level indicator lens

Filter element:

Sintered polypropylene

Valve: Brass and

low temperature nitrile

Diaphragm: Low temperature

silicone, polyester reinforced

Lower spring rest and

diaphragm retainer:

Aluminum

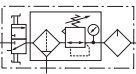
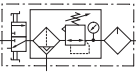
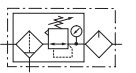
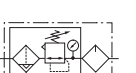
Bowl O-ring:

Low temperature nitrile

Elastomers:

Low temperature nitrile

Technical data HBL84 - standard models

Symbol	Port size	Shut off valve	Drain	Lubricator type	Weight lb (kg)	Model *1)
	3/8 PTF	With	Manual	Microfog	3.64 (1.65)	HBL84-371A
	1/2 PTF	With	Manual	Microfog	3.64 (1.65)	HBL84-471A
	3/4 PTF	With	Manual	Microfog	3.64 (1.65)	HBL84-671A
	3/8 PTF	With	Auto	Microfog	3.64 (1.65)	HBL84-351A
	1/2 PTF	With	Auto	Microfog	3.64 (1.65)	HBL84-451A
	3/4 PTF	With	Auto	Microfog	3.64 (1.65)	HBL84-651A
	3/8 PTF	Without	Manual	Microfog	2.54 (1.15)	HBL84-375A
	1/2 PTF	Without	Manual	Microfog	2.54 (1.15)	HBL84-475A
	3/4 PTF	Without	Manual	Microfog	2.54 (1.15)	HBL84-675A
	3/8 PTF	Without	Auto	Microfog	2.54 (1.15)	HBL84-355A
	1/2 PTF	Without	Auto	Microfog	2.54 (1.15)	HBL84-455A
	3/4 PTF	Without	Auto	Microfog	2.54 (1.15)	HBL84-655A

*1) All models shown here are supplied with integrated gauge applicable for flow direction left to right.

With flow direction right to left please use the online configurator www.norgren.com/air-preparation-configurator or contact Norgren

Option selector *1)

HBL84-★★★★

Port size	Substitute
3/8"	3
1/2"	4
3/4"	6
Units	Substitute
Filter/Regulator w. auto drain, Micro fog lubricator, Metal bowls	5
Filter/Regulator w. auto drain, Oil fog lubricator, Metal bowls	6
Filter/Regulator w. manual drain, Micro fog lubricator, Metal bowls	7
Filter/Regulator w. manual drain, Oil fog lubricator, Metal bowls	8

Thread form	Substitute
PTF	A
ISO G parallel	G
Accessories	Substitute
Shut-off valve & gauge & brackets	1
Gauge & bracket	5

*1) All models shown here are applicable for

flow direction left to right. With flow direction

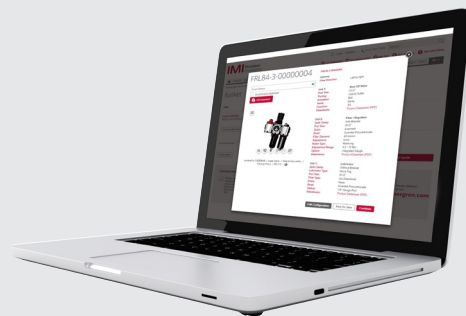
right to left please use the online configurator

www.norgren.com/air-preparation-configurator

or contact Norgren

In addition to the standard box set units shown on this data sheet, further combinations can be configured using our online Air Preparation configurator:

www.norgren.com/air-preparation-configurator



Accessories
Wall mounting bracket

Page 7

840024-50KIT

Quikclamp®

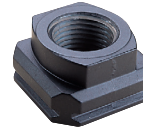
Page 7

H840014-51KIT

Quikclamp® with bracket assembled

Page 7

H840014-52KIT

Port Adaptors

Page 7

3/8 PTF	H840015-02KIT
1/2 PTF	H840015-03KIT
3/4 PTF	H840015-04KIT
G3/8	H840015-10KIT
G1/2	H840015-11KIT
G3/4	H840015-12KIT

**Pressure sensing block
1/4 PTF**

Page 7

H840016-50KIT

**Pressure sensing block
G1/4**

Page 7

H840016-51KIT

**Full flow porting block
3/4" PTF**

Page 8

H840028-50KIT

**Full flow porting block
G3/4**

Page 8

H840028-53KIT

**Full flow porting block
3/4" PTF**

Page 8

H840028-68KIT

**Full flow porting block
G3/4**

Page 8

H840028-69KIT

**Pressure switch interface
block (18D pressure switch)
G1/4**

Page 8

0337717000000000

**Pressure switch 18D
7.25 ... 116 psi (0.5 ... 8 bar) *4**

Page 8

0881300000000000

*2) -4 ... +140°F (-20 ... +60°C)

*4) -14° ... +185°F (-10° ... +85°C)

Padlock

Padlock



840055-01KIT

Lockout device



840055-02KIT

Silencer

Porous plastic silencer *3) G1/4



M/S2

Porous plastic silencer *3) 1/4 PTF



C/S2

Sinter bronze silencer *3) G1/4



T40C2800

*3) Max. pressure of silencers listed in this data sheet : 10bar.
For pressure higher than 10bar please contact Norgren

Maintenance/Service

Filter cartridge 40 micron



840038-51KIT

Auto drain kit with metal Nut



3000-40

HR84 / HB84 Elastomer Kit



HFRLB84-KIT

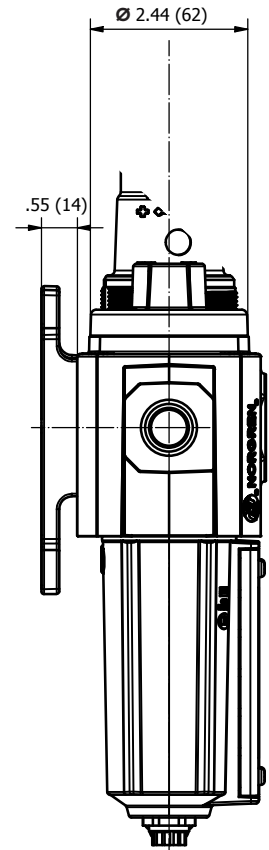
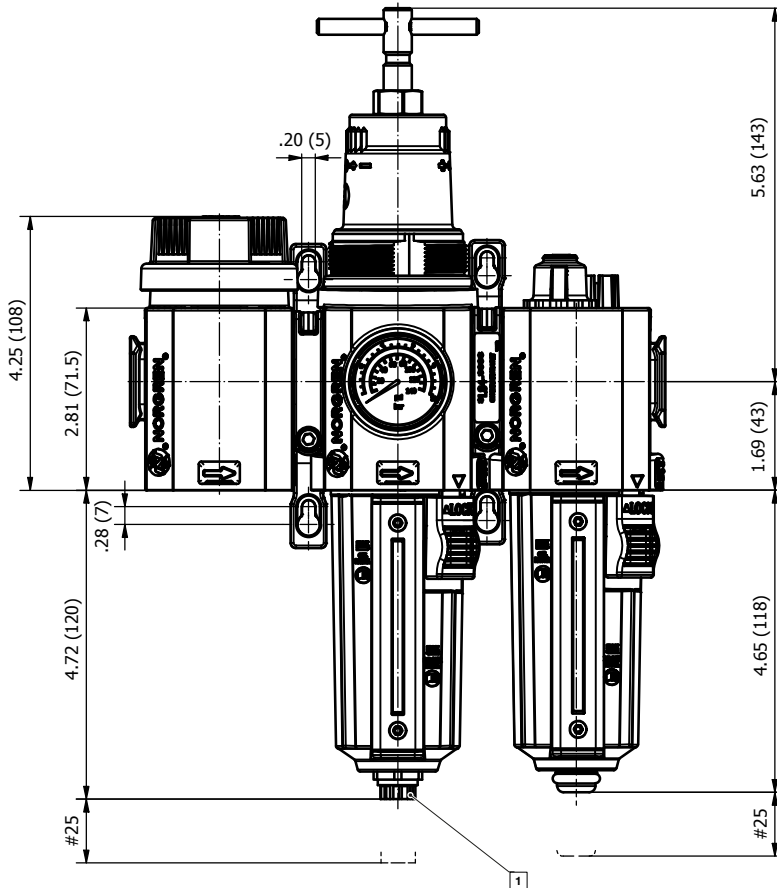
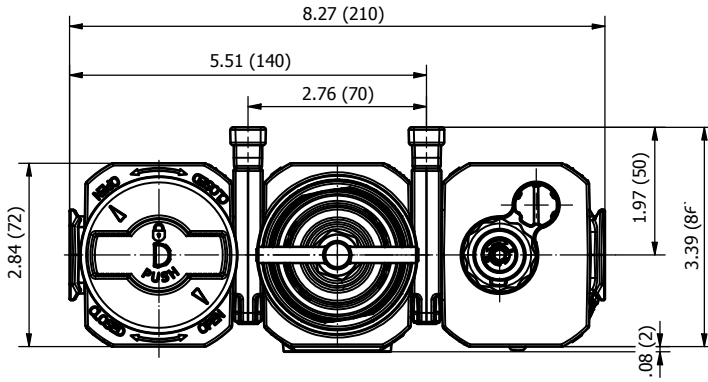
Lubricator sight dome kit



Micro fog (red) 840055-50KIT

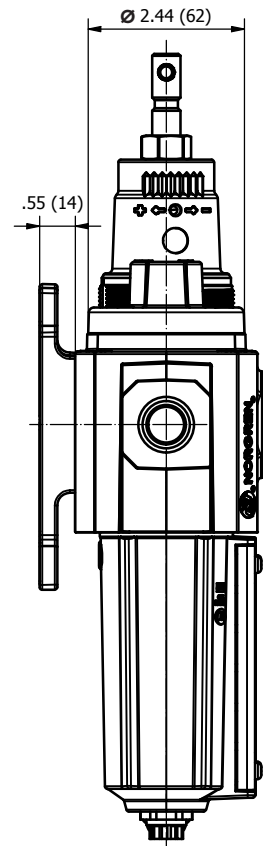
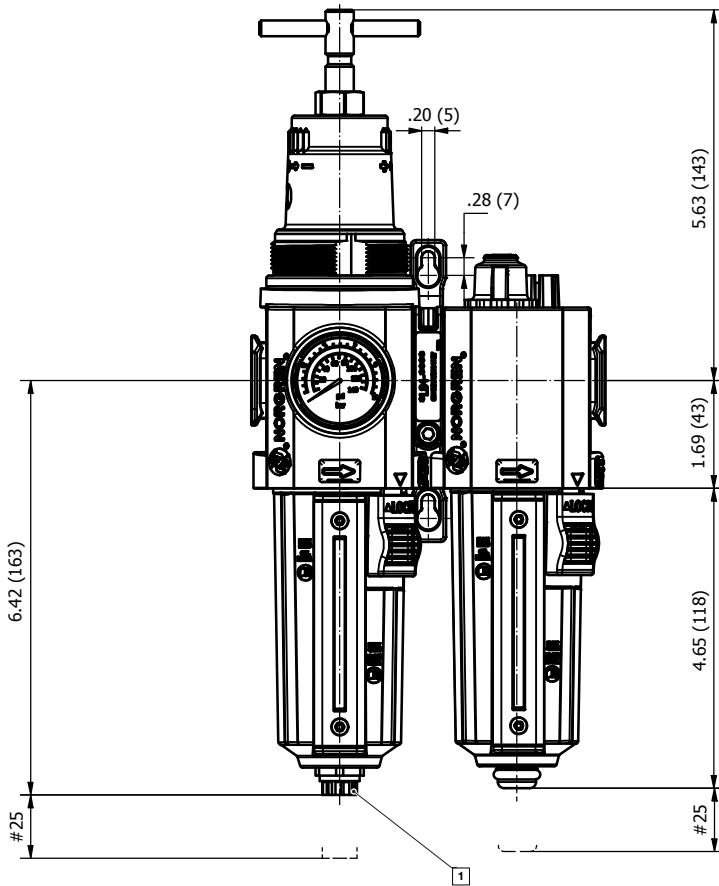
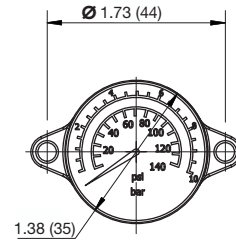
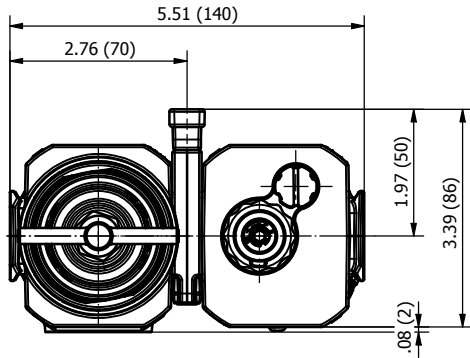
Oil fog (green) 840055-51KIT

Dimensions
Shut-off valve, Filter/Regulator and Lubricator

 Dimensions in inches (mm)
 Projection/Third angle

 # Minimum clearance for bowl removal
 1 Port size automatic drain : G1/8

Dimensions
Filter/Regulator and Lubricator

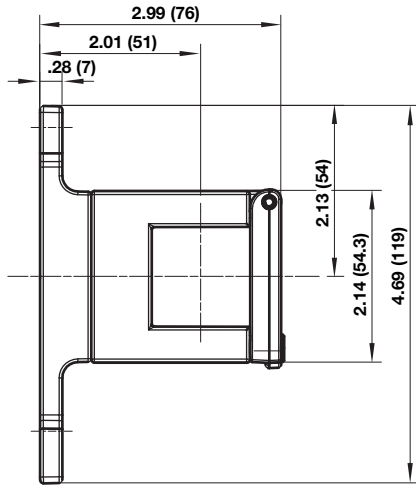
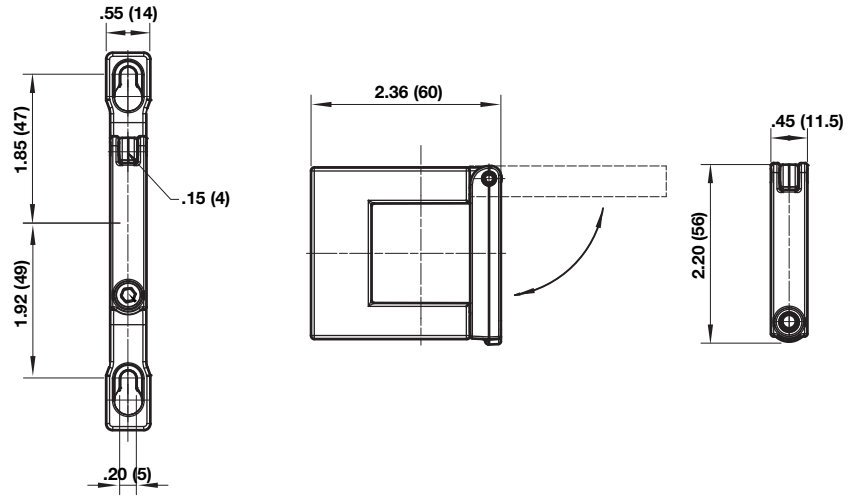
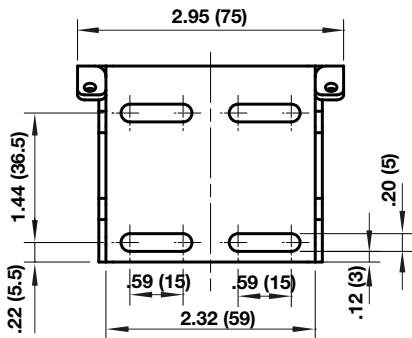
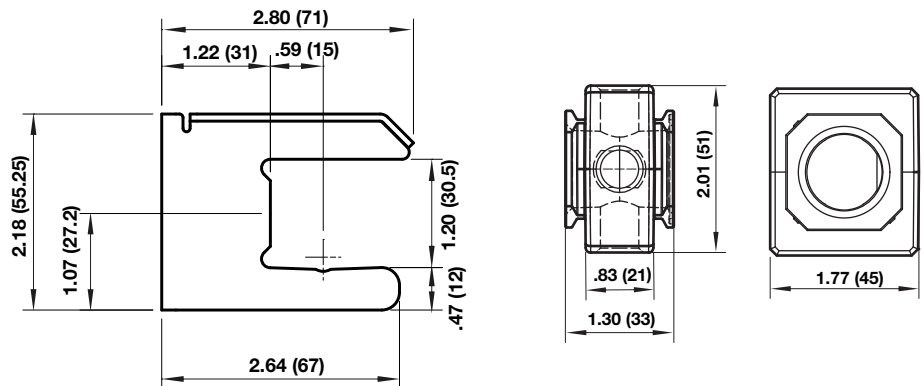
Dimensions in inches (mm)
 Projection/Third angle



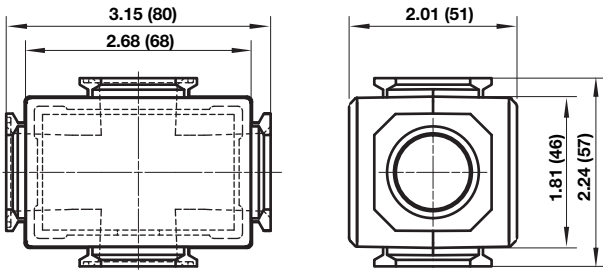
Minimum clearance for bowl removal
 1 Port size automatic drain : G1/8

Accessories

 Dimensions in inches (mm)
 Projection/Third angle

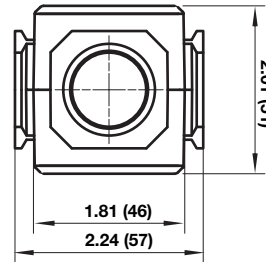
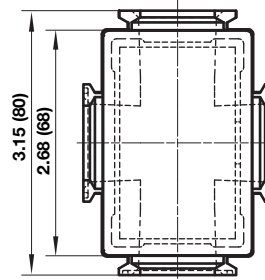
Quikclamp® with wall bracket

Quikclamp®

Mounting bracket

Pressure sensing block


Full flow porting block horizontal

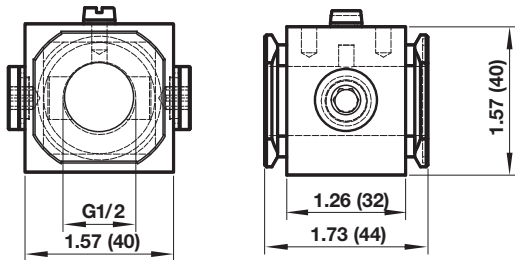


Full flow porting block vertical

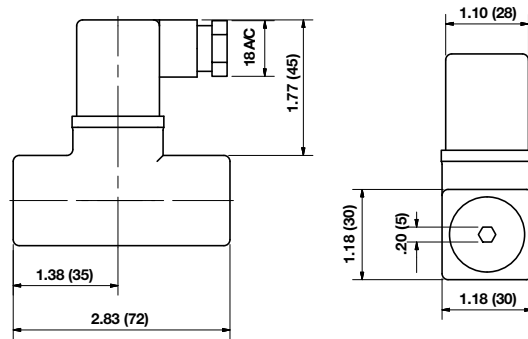
Dimensions in inches (mm)
Projection/Third angle



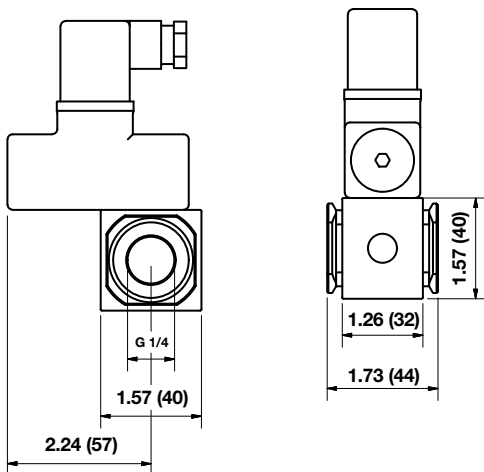
Porting block for 18D pressure switch



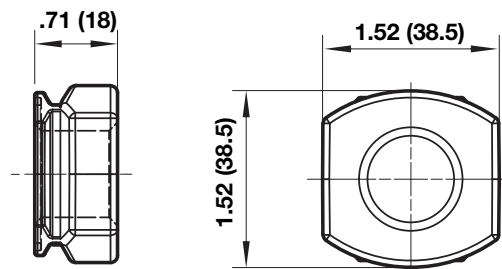
18D Pressure switch



18D Porting block and 18D assembled



Pipe adaptor



Warning

These products are intended for use in industrial compressed air systems only. Do not use these products where pressures and temperatures can exceed those listed under **»Technical features/data«**.

Before using these products with fluids other than those specified, for non-industrial applications, life-support systems or other applications not within published specifications, consult IMI Precision Engineering. Through misuse, age, or malfunction, components used in fluid power systems can fail in various modes.

The system designer is warned to consider the failure modes of all component parts used in fluid power systems and to provide adequate safeguards to prevent personal injury or damage to equipment in the event of such failure.

System designers must provide a warning to end users in the system instructional manual if protection against a failure mode cannot be adequately provided.

System designers and end users are cautioned to review specific warnings found in instruction sheets packed and shipped with these products.