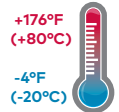


HT84T - 3/2 Shut-off Valve For Extreme Temperature Applications Excelon® Plus Modular System



- > Port size: 3/8" ... 3/4" (ISO G/PTF)
- > Lockable in closed position with padlock
- > Excelon® Plus design allows in-line installation or modular installation with other Excelon® Plus products
- > Salt spray compliant to ISO 9227
- > ABS cover with high impact properties
- > 3/2 way function
- > Threaded exhaust port



Technical features

Medium:

Compressed air only

Maximum supply pressure:

290 psi (20 bar)

Port size:


G3/8, G1/2, G3/4,
3/8 PTF, 1/2 PTF, 3/4 PTF

Flow:

From IN to OUT ports:
1/2": 343 scfm (162 dm³/s) at 91 psi (6.3 bar) and Δp (0.5 bar) pressure drop, 4 scfm (1.8 dm³/s) from OUT to exhaust port.

Atex:

Shut-off valves HT84 are in conformity with Atex 2014/34/EU

 II 2 GD
 Ex h IIC T6 Gb
 EX h IIIC T85°C Db

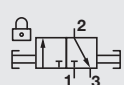
Ambient/Media temperature:

-4° ...+176°F (-20°... +80°C) Air supply must be dry enough to avoid ice formation at temperatures below +35°F (+2°C).

Materials:

Body: Die cast aluminum
Body covers: ABS (Magnum 3904)
Elastomers: NBR

Technical data HT84T - standard models




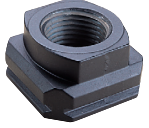

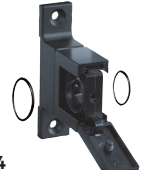


Symbol	Port size	Function	Valve type	Exhaust port forms	Weight lbs. (kg)	Model
	3/8 PTF	3/2	Ball valve	Exhaust port threaded 1/4 PTF	1.06 (0.48)	HT84T-3AA-B1N
	1/2 PTF	3/2	Ball valve	Exhaust port threaded 1/4 PTF	1.06 (0.48)	HT84T-4AA-B1N
	3/4 PTF	3/2	Ball valve	Exhaust port threaded 1/4 PTF	1.06 (0.48)	HT84T-6AA-B1N

Option selector




Function	Substitute	Thread form	Substitute
3/2	T	PTF	A
		ISO G parallel	G
		Port size	Substitute
		3/8"	3
		1/2"	4
		3/4"	6

HT84T-*A-B1N**


Accessories

Wall mounting bracket  Page 4 840024-50KIT	Quikclamp®  Page 4 H840014-51KIT	Quikclamp® with bracket assembled  Page 4 H840014-52KIT	Port Adaptors  Page 5 <table border="1"> <tr><td>3/8 PTF</td><td>H840015-02KIT</td></tr> <tr><td>1/2 PTF</td><td>H840015-03KIT</td></tr> <tr><td>3/4 PTF</td><td>H840015-04KIT</td></tr> <tr><td>G3/8</td><td>H840015-10KIT</td></tr> <tr><td>G1/2</td><td>H840015-11KIT</td></tr> <tr><td>G3/4</td><td>H840015-12KIT</td></tr> </table>	3/8 PTF	H840015-02KIT	1/2 PTF	H840015-03KIT	3/4 PTF	H840015-04KIT	G3/8	H840015-10KIT	G1/2	H840015-11KIT	G3/4	H840015-12KIT
3/8 PTF	H840015-02KIT														
1/2 PTF	H840015-03KIT														
3/4 PTF	H840015-04KIT														
G3/8	H840015-10KIT														
G1/2	H840015-11KIT														
G3/4	H840015-12KIT														
Hybrid Quikclamp® *1  Page 4 840014-61	Hybrid Quikclamp® with bracket assembled *1  Page 4 840014-62	Pressure sensing block 1/4 PTF  Page 4 H840016-50KIT	Pressure sensing block G1/4  Page 4 H840016-51KIT												

*1) To connect new Excelon Plus to old Excelon 74/73 units.
 Having the same hole centres as 74 series mounting bracket.
 A Quikclamp adds 13.6 mm to the overall width of a combination unit

Full flow porting block 3/4" PTF  Page 5 H840028-50KIT	Full flow porting block G3/4  Page 5 H840028-53KIT	Full flow porting block 3/4" PTF  Page 5 H840028-68KIT	Full flow porting block G3/4  Page 5 H840028-69KIT	Pressure switch interface block (18D pressure switch) G1/4  Page 5 0337717000000000
--	--	--	--	---



Pressure switch 18D 7.25 ... 116 psi (0.5 ... 8 bar) *4






Page 5
 0881300000000000

*2) -4 ... +140°F (-20 ... +60°C)
 *4) -14° ... +185°F (-10° ... +85°C)

Padlock

Padlock  840055-01KIT	Lockout device  840055-02KIT
---	--

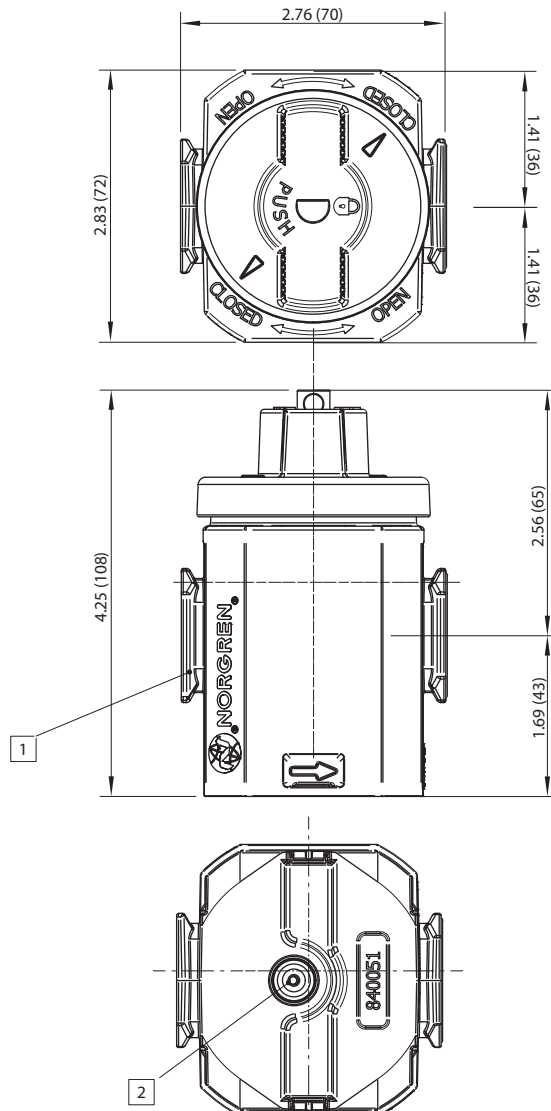
Silencer

Porous plastic silencer *3) G1/4  M/S2	Porous plastic silencer *3) 1/4 PTF  C/S2	Sinter bronze silencer *3) 1/4 PTF  MS002A
--	--	--

*3) Max. pressure of silencers listed in this data sheet : 10bar.
 For pressure higher than 10bar please contact Norgren

Dimensions

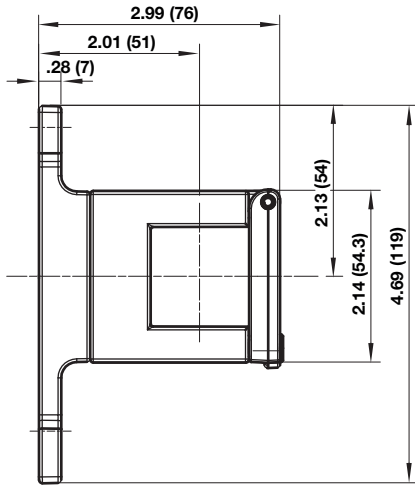
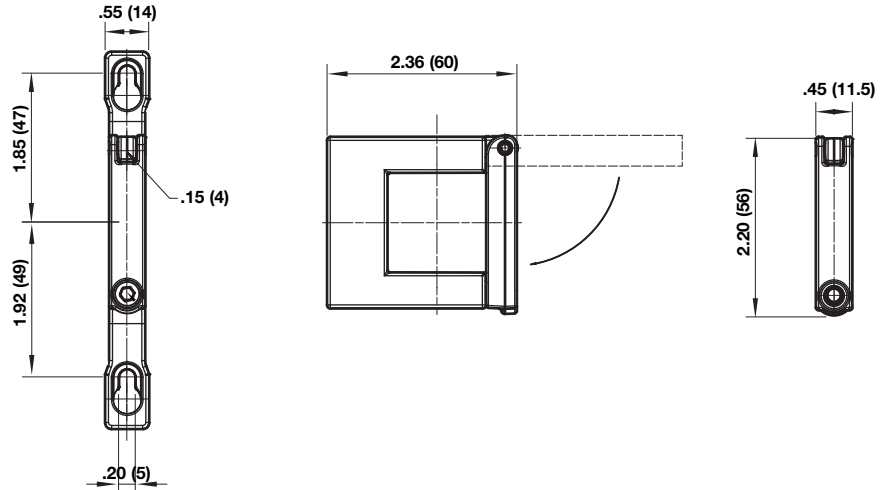
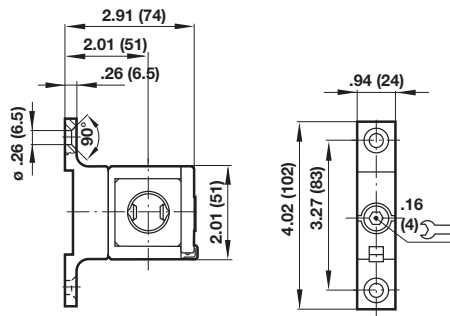
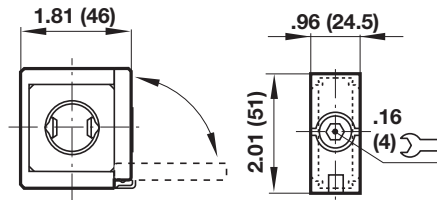
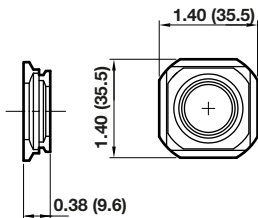
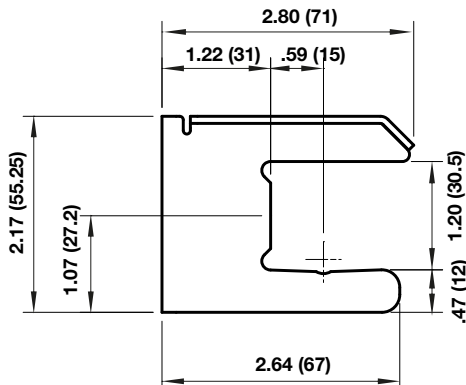
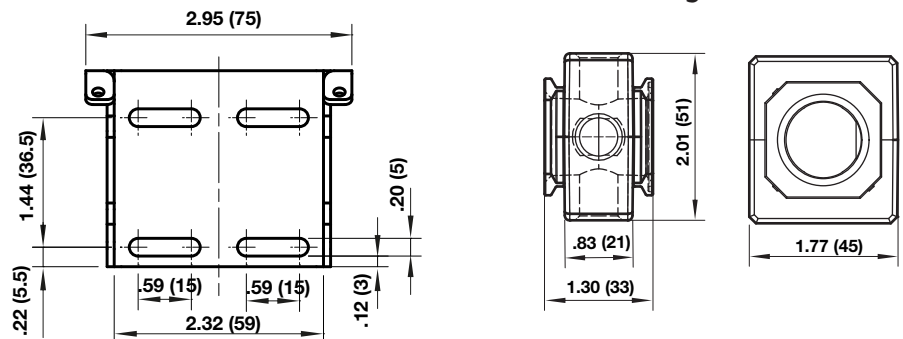
Dimensions in inches (mm)
Projection/Third angle



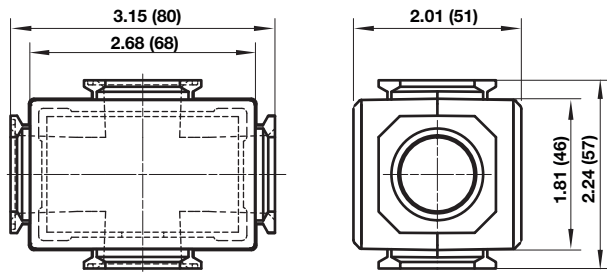
- 1 Main ports
3/8", 1/2" OR 3/4" ISO G/PTF
- 2 Exhaust Port G1/4 or 1/4 PTF

Accessories

 Dimensions in inches (mm)
 Projection/Third angle

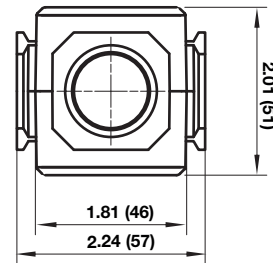
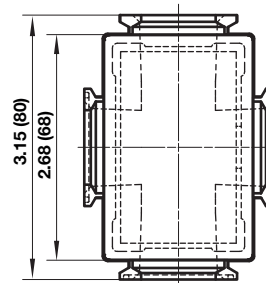
Quikclamp® with wall bracket

Quikclamp®

Hybrid-Quikclamp® with wall bracket

Hybrid-Quikclamp®

Connector 84-82 Series

Mounting bracket

Pressure sensing block


Full flow porting block horizontal

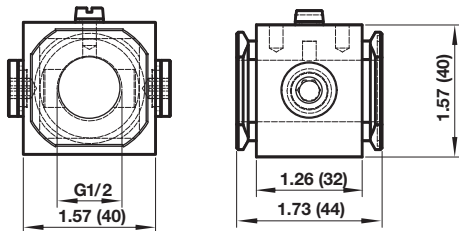


Full flow porting block vertical

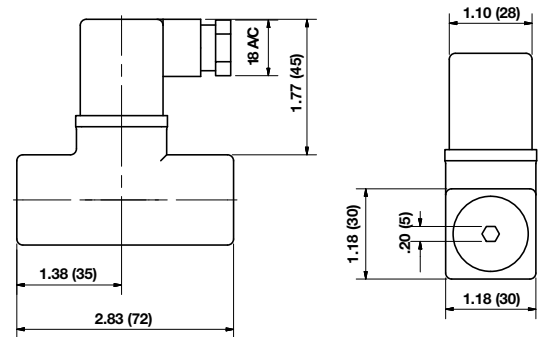
Dimensions in inches (mm)
Projection/Third angle



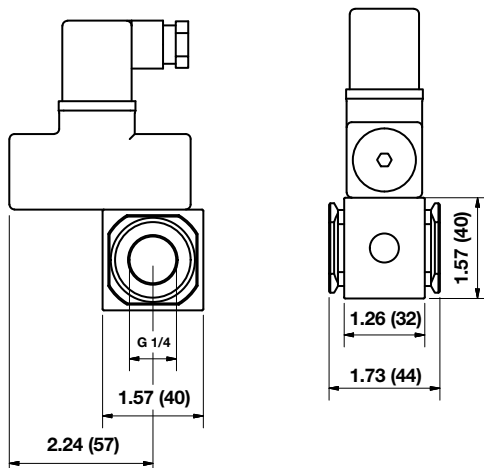
Porting block for 18D pressure switch



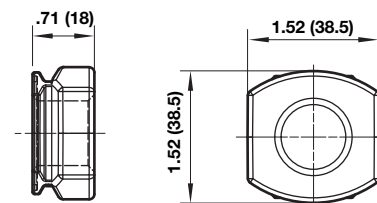
18D Pressure switch



18D Porting block and 18D assembled



Pipe adaptor



Warning

These products are intended for use in industrial compressed air systems only. Do not use these products where pressures and temperatures can exceed those listed under »**Technical features/data**«.

Before using these products with fluids other than those specified, for non-industrial applications, life-support systems or other applications not within published specifications, consult Norgren Ltd.

Through misuse, age, or malfunction, components used in fluid power systems can fail in various modes.

The system designer is warned to consider the failure modes of all component parts used in fluid power systems and to provide adequate safeguards to prevent personal injury or damage to equipment in the event of such failure.

System designers must provide a warning to end users in the system instructional manual if protection against a failure mode cannot be adequately provided.

System designers and end users are cautioned to review specific warnings found in instruction sheets packed and shipped with these products.