

Connector Plugs



for
 - 15-pin D-SUB miniature connector and
 - 25-pin D-SUB miniature connector
 Degree of protection: 1P 65

Catalog Register
P 6

Publication 7503033.06.02.98



Description

The connector plugs serve to increase the degree of protection of D-SUB miniature connectors from IP 40 to IP 65. They are available in 15-pin and 25-pin versions with cable lengths from 3 m (standard length) upwards.



Technical data	15-pin	25-pin
Temperature range	-5 °C ... +80 °C	
Color	Black	
Material	Body: Glass-fiber reinforced polyester, self-extinguishing, UL94V-0	
	Seal: Chloroprene-caoutchouc	
	Locking bolts: Steel	
Cable:	Type: LIYY 16 x 0.34 mm ²	LIYY 25 x 0.34 mm ²
	Conductor: Stranded copper wire, bare, 7 x dia. 0.25 = 0.34 mm ²	
	External diameter: 9.2 mm	11.5 mm
	Current rating: 4.5 A at 30°C, 3.35 A at 80°C	
	Operating voltage: 500 V	
	Cable gland: Pg 11	Pg 13.5
	Chemical resistance: Resistant to oil and fuel	
	Color sequence: DIN 47100	
Socket terminal strip:	DIN 41652	

Characteristic data

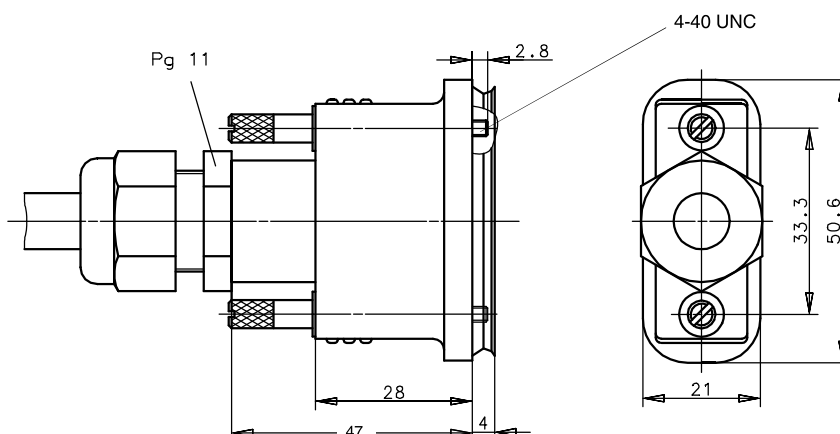
Design	Protection	Cat. No.
15-pin	IP 65	0660960.0000. 003.00
25-pin	IP 65	0660961.0000. 003.00
Example of order (16-diget number)		0660961.0000. 003.00 Length in cm (please state)

Pin assignment 15-pin D-SUB

Color code for cable assly.	Socket No.
White	1
Brown	2
Green	3
Yellow	4
Grey	5
Pink	6
Blue	7
Red	8
Black	9
Violet	10
Grey-pink	11
Red-blue	12
White-green	13
Brown-green	14
White-yellow	15

Dimensional drawings (in mm)

Cat. No.: 0660960...



Pin assignment 25-pin D-SUB

Color code for cable assly.	Socket No.
White	1
Brown	2
Green	3
Yellow	4
Grey	5
Pink	6
Blue	7
Red	8
Black	9
Violet	10
Grey-pink	11
Red-blue	12
White-green	13
Brown-green	14
White-yellow	15
Yellow-brown	16
White-grey	17
Grey-brown	18
White-pink	19
Pink-brown	20
White-blue	21
Brown-blue	22
White-red	23
Brown-red	24
White-black	25

Cat. No.: 0660961...

