

Pneufit® 12 Series (Inch) Push-in Fittings



- > **Reliable and corrosion resistant**
- > **Wide range of types available**
- > **Very compact units**
- > **Positive tube connection**
- > **Port size: 1/8" ... 1/2", NPT and BSPT threads**
- > **Tube sizes: 1/8" ... 1/2" (Ø4... 12mm)**
- > **All taper threads pre-coated with non-PTFE based sealant**
- > **Straight adaptors feature internal hexagon for allen key**
- > **Silicon free, 'O'-rings**



Technical features

Medium:

Compressed air
(for other media please consult Technical Department)

Operating pressure:

Vacuum: -14.5...261 psi (750mm Hg...18 bar)
dependent upon operating specification of tubing

Operating temperature:

-4 ... +176°F (-20 ... +80°C)

Tube sizes:

1/8", 5/32", 3/16", 1/4", 5/16", 3/8", 1/2" O/D

Standard:

Conforms to BS ISO 14743

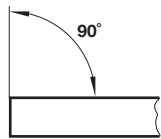
Tubing types:

Nylon 11 or 12, Polyurethane (95 durometer or above) and LDPE (low density polyethylene)

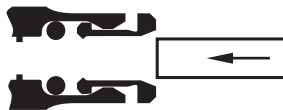
Materials:

Body: nickel plated brass
Collet: nickel plated brass
'O'- ring: VMQ free NBR
Washer (Banjo): Nylon
Thread sealant: Non-PTFE

Method of assembly



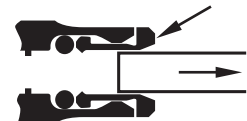
1. Ensure that the end of the tube is cut square and is free from burrs.



2. Push the tube through the collet into the fitting.

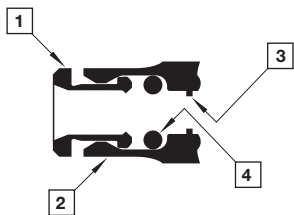


3. Continue pushing the tube through the 'O'-ring until it bottoms on the tube stop then pull back.



4. To disconnect push the tube into the fitting, hold down the collet and withdraw the tube.

Components


















- 1 Collet
- 2 Body
- 3 Tube stop
- 4 'O'-ring

Option selector

12 ★ ★ ★ ★ ★ ★









Straight adaptors and connectors

<p>Straight adaptor Inch O/D tube to male NPTF taper 12425</p>  <p>Page 3</p>	<p>Straight adaptor Metric O/D Tube to NPTF (male) thread 10425</p>  <p>Page 3</p>	<p>Straight adaptor Inch O/D tube to BSPT thread 10125/12125</p>  <p>Page 4</p>	<p>Straight adaptor (in- ternal hex) Inch O/D tube 1242A</p>  <p>Page 4</p>	<p>Straight adaptor Inch O/D tube to fe- male NPTF thread 12426</p>  <p>Page 5</p>	<p>Female bulkhead adaptor Inch O/D tube to NPTF female 12432</p>  <p>Page 5</p>	<p>Cap / female plug Inch 12012</p>  <p>Page 4</p>
<p>Straight connector Inch O/D tube 12020</p>  <p>Page 6</p>	<p>Tube end reducer tube stem to Inch O/D tube 12023</p>  <p>Page 5</p>	<p>Tube end expand- er tube stem to Inch O/D tube 12023</p>  <p>Page 5</p>	<p>Bulkhead connector Inch O/D tube 12029</p>  <p>Page 6</p>	<p>Straight connector Inch O/D tube to Met- ric O/D tube 12037</p>  <p>Page 7</p>	<p>Plug Inch (Nickel plated brass) 12004</p>  <p>Page 6</p>	<p>Protective cap Metric (Thermoplastic) 10000</p>  <p>Page 8</p>
<p>Cartridge fitting Inch O/D tube (Brass) 12036</p>  <p>Page 7</p>						

Elbow adaptors, connectors and banjos

<p>Fixed elbow adaptor Inch O/D tube to male NPTF thread 12445</p>  <p>Page 8</p>	<p>Swivel male elbow Inch O/D tube to male NPTF thread 12447</p>  <p>Page 9</p>	<p>Swivel elbow adaptor Inch O/D tube to male BSPT thread 12147</p>  <p>Page 9</p>	<p>Swivel elbow adaptor Inch O/D tube to male ISO G thread 12247</p>  <p>Page 10</p>	<p>Elbow connector Inch O/D tube 12040</p>  <p>Page 11</p>	<p>Swivel female elbow Inch O/D tube NPTF thread 12448</p>  <p>Page 10</p>	<p>Extended swivel elbow adaptor Inch O/D tube to male NPTF thread 12454</p>  <p>Page 10</p>
---	---	--	--	---	--	--

Tee, Y adaptors and connectors

<p>Swivel tee adaptor Inch O/D tube to male BSPT thread 12167</p>  <p>Page 11</p>	<p>Swivel male center tee Inch O/D tube to male NPTF thread 12467</p>  <p>Page 12</p>	<p>Tee connector Inch O/D tube 12060</p>  <p>Page 11</p>	<p>Swivel male side tee adaptor, Inch O/D tube to male taper NPTF thread 12468</p>  <p>Page 12</p>	<p>Swivel male Y adaptor Inch O/D Tube NPTF thread 12488</p>  <p>Page 13</p>	<p>Y connector inch O/D tube 12082</p>  <p>Page 13</p>
---	---	--	--	--	--

Elbow flow controls and banjo flow controls

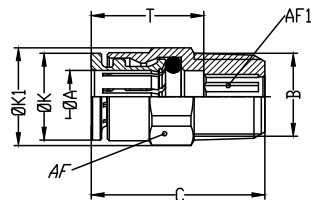
<p>Elbow flow control NPTF thread to NPT thread (Aluminum Body) 12VA0</p>  <p>Page 13</p>	<p>Banjo flow control - screw driver adjustment Inch O/D tube to NPTF thread 12VB0</p>  <p>Page 14</p>	<p>Banjo flow control - screw driver adjustment NPT thread to NPTF thread 12VB0</p>  <p>Page 14</p>
---	--	---

Function fittings

<p>Pilot operated check valve NPTF thread (Aluminum Body) 124GA</p>  <p>Page 15</p>

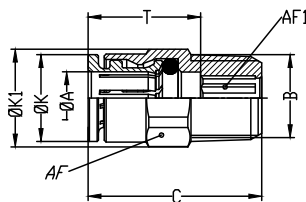
Dimensions
Straight adaptor Inch
O/D tube to male NPTF taper
12425

Dimensions in inches (mm)
 Projection/First angle



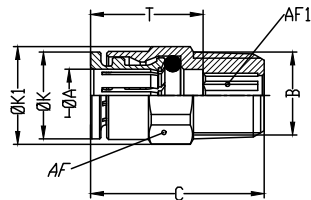
ØA	B	C	G	ØK	ØK1	T	AF	AF1	Weight oz (g)	Model
1/8	10/32 UNF	0.79 (20.1)	0.16 (4.1)	0.35 (8.9)	0.36 (9.1)	0.55 (14.0)	(8)	(2)	0.18 (5)	124250110
1/8	1/16 NPTF	0.79 (20.1)	0.31 (7.9)	0.35 (8.9)	0.40 (10.2)	0.55 (14.0)	(9)	(3)	0.25 (7)	124250116
1/8	1/8 NPTF	0.75 (19.1)	0.31 (7.9)	0.35 (8.9)	0.52 (13.2)	0.55 (14.0)	(12)	(3)	0.39 (11)	124250118
1/8	1/4 NPTF	0.91 (23.1)	0.47 (11.9)	0.35 (8.9)	0.60 (15.2)	0.55 (14.0)	(14)	(3)	0.74 (21)	124250128
5/32	10/32 UNF	0.79 (20.1)	0.16 (4.1)	0.35 (8.9)	0.36 (9.1)	0.55 (14.0)	(8)	(2)	0.18 (5)	124250210
5/32	1/8 NPTF	0.75 (19.1)	0.31 (7.9)	0.35 (8.9)	0.52 (13.2)	0.55 (14.0)	(12)	(3)	0.35 (10)	124250218
5/32	1/4 NPTF	0.91 (23.1)	0.47 (11.9)	0.35 (8.9)	0.60 (15.2)	0.55 (14.0)	(14)	(3)	0.71 (20)	124250228
3/16	1/8 NPTF	0.79 (20.1)	0.31 (7.9)	0.39 (9.9)	0.52 (13.2)	0.59 (15.0)	(12)	(3)	0.35 (10)	124250318
3/16	1/4 NPTF	0.94 (23.9)	0.47 (11.9)	0.39 (9.9)	0.60 (15.2)	0.59 (15.0)	(14)	(3)	0.71 (20)	124250328
1/4	10/32 UNF	0.87 (23.0)	0.16 (4.1)	0.52 (13.2)	0.52 (13.2)	0.64 (16.3)	(12)	(2)	0.21 (6)	124250410
1/4	1/8 NPTF	0.93 (23.6)	0.31 (7.9)	0.52 (13.2)	0.52 (13.2)	0.64 (16.3)	(12)	(4)	0.35 (10)	124250418
1/4	1/4 NPTF	1.04 (26.4)	0.47 (11.9)	0.46 (11.7)	0.60 (15.2)	0.64 (16.3)	(14)	(4)	0.71 (20)	124250428
1/4	3/8 NPTF	1.06 (26.9)	0.47 (11.9)	0.46 (11.7)	0.81 (20.6)	0.64 (16.3)	(19)	(4)	1.30 (37)	124250438
5/16	1/8 NPTF	1.08 (27.4)	0.31 (7.9)	0.54 (13.7)	0.60 (15.2)	0.69 (17.5)	(14)	(5)	0.53 (15)	124250518
5/16	1/4 NPTF	1.10 (27.9)	0.47 (11.9)	0.54 (13.7)	0.60 (15.2)	0.69 (17.5)	(14)	(6)	0.63 (18)	124250528
5/16	3/8 NPTF	1.10 (27.9)	0.47 (11.9)	0.54 (13.7)	0.81 (20.6)	0.69 (17.5)	(19)	(6)	1.23 (35)	124250538
3/8	1/8 NPTF	1.18 (30.0)	0.31 (7.9)	0.61 (15.5)	0.73 (18.5)	0.79 (20.1)	(17)	(5)	0.81 (23)	124250618
3/8	1/4 NPTF	1.34 (34.0)	0.47 (11.9)	0.61 (15.5)	0.73 (18.5)	0.79 (20.1)	(17)	(7)	0.99 (28)	124250628
3/8	3/8 NPTF	1.14 (29.0)	0.47 (11.9)	0.61 (15.5)	0.81 (20.6)	0.79 (20.1)	(19)	(7)	1.16 (33)	124250638
3/8	1/2 NPTF	1.16 (29.5)	0.61 (15.5)	0.61 (15.5)	0.96 (24.4)	0.79 (20.1)	(22)	(7)	1.83 (52)	124250648
1/2	1/4 NPTF	1.30 (33.0)	0.47 (11.9)	0.72 (18.3)	0.81 (20.6)	0.77 (19.6)	(19)	(7)	0.95 (27)	124250728
1/2	3/8 NPTF	1.24 (31.5)	0.47 (11.9)	0.72 (18.3)	0.81 (20.6)	0.77 (19.6)	(19)	(10)	1.09 (31)	124250738
1/2	1/2 NPTF	1.18 (30.0)	0.61 (15.5)	0.72 (18.3)	0.96 (24.4)	0.77 (19.6)	(22)	(10)	1.62 (46)	124250748

Straight adaptor Metric
O/D tube to NPTF male thread
10425

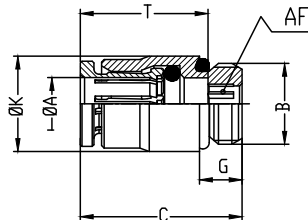


ØA	B	C	ØK	ØK1	G	T	AF	AF1	Weight oz (g)	Model
6	10/32 UNF	0.87 (22.1)	0.46 (11.7)	0.52 (13.2)	0.16 (4.1)	0.63 (16.0)	(12)	(2)	0.24 (7)	104250610
6	1/8 NPTF	0.93 (23.6)	0.46 (11.7)	0.52 (13.2)	0.31 (7.9)	0.63 (16.0)	(12)	(4)	0.39 (11)	104250618
6	1/4 NPTF	1.04 (26.4)	0.46 (11.7)	0.60 (15.2)	0.47 (11.9)	0.63 (16.0)	(14)	(4)	0.70 (20)	104250628
6	3/8 NPTF	1.06 (26.9)	0.46 (11.7)	0.81 (20.6)	0.47 (11.9)	0.63 (16.0)	(19)	(4)	1.30 (37)	104250638
10	1/8 NPTF	1.18 (29.9)	0.61 (15.5)	0.73 (18.5)	0.31 (7.9)	0.80 (20.3)	(17)	(5)	0.78 (22)	104251018
10	1/4 NPTF	1.34 (34.0)	0.61 (15.5)	0.73 (18.5)	0.47 (11.9)	0.80 (20.3)	(17)	(7)	0.99 (28)	104251028
10	3/8 NPTF	1.14 (29.0)	0.61 (15.5)	0.81 (20.6)	0.47 (11.9)	0.80 (20.3)	(19)	(7)	1.16 (33)	104251038
10	1/2 NPTF	1.16 (29.5)	0.61 (15.5)	0.96 (24.4)	0.61 (15.5)	0.80 (20.3)	(22)	(7)	1.80 (51)	104251048
12	1/4 NPTF	1.30 (33.0)	0.72 (18.3)	0.81 (20.6)	0.47 (11.9)	0.76 (19.3)	(19)	(7)	1.06 (30)	104251228
12	3/8 NPTF	1.24 (31.5)	0.72 (18.3)	0.81 (20.6)	0.47 (11.9)	0.76 (19.3)	(19)	(10)	1.13 (32)	104251238
12	1/2 NPTF	1.18 (30.0)	0.72 (18.3)	0.96 (24.4)	0.61 (15.5)	0.76 (19.3)	(22)	(10)	1.66 (47)	104251248

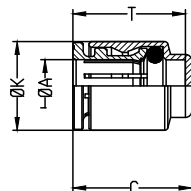
Straight adaptor Metric / Inch O/D tube to BSPT thread
10125/12125

 Dimensions in inches (mm)
 Projection/First angle


ØA	B	C	ØK	ØK1	G	T	AF	AF1	Weight oz (g)	Model
4	R1/8	0.75 (19.1)	0.35 (8.9)	0.52 (13.2)	0.30 (7.6)	0.55 (14.0)	(12)	(3)	0.35 (10)	101250418
4	R1/4	0.89 (22.6)	0.35 (8.9)	0.60 (15.2)	0.43 (10.9)	0.55 (14.0)	(14)	(3)	0.67 (19)	101250428
8	R1/8	1.06 (26.9)	0.54 (13.7)	0.60 (15.2)	0.30 (7.6)	0.69 (17.5)	(14)	(5)	0.56 (16)	101250818
8	R1/4	1.06 (26.9)	0.54 (13.7)	0.60 (15.2)	0.43 (10.9)	0.69 (17.5)	(14)	(6)	0.63 (18)	101250828
8	R3/8	1.08 (27.4)	0.54 (13.7)	0.81 (20.6)	0.45 (11.4)	0.69 (17.5)	(19)	(6)	1.23 (35)	101250838
1/8	R1/8	0.73 (18.5)	0.31 (7.9)	0.52 (13.2)	0.30 (7.6)	0.55 (14.0)	(12)	(3)	0.35 (10)	121250118
3/16	R1/8	0.79 (20.0)	0.39 (9.9)	0.52 (13.2)	0.30 (7.6)	0.59 (15.0)	(12)	(3)	0.35 (10)	121250318
3/16	R1/4	0.91 (23.1)	0.39 (9.9)	0.60 (15.2)	0.43 (10.9)	0.59 (15.0)	(14)	(3)	0.67 (19)	121250328
1/4	R1/8	0.91 (23.1)	0.46 (11.7)	0.52 (13.2)	0.30 (7.6)	0.64 (16.3)	(12)	(4)	0.35 (10)	121250418
1/4	R1/4	0.96 (24.4)	0.46 (11.7)	0.60 (15.2)	0.43 (10.9)	0.64 (16.3)	(14)	(4)	0.60 (17)	121250428
3/8	R1/8	1.16 (29.5)	0.61 (15.5)	0.73 (18.5)	0.30 (7.6)	0.79 (20.1)	(17)	(5)	0.78 (22)	121250618
3/8	R1/4	1.30 (33.0)	0.61 (15.5)	0.73 (18.5)	0.43 (10.9)	0.79 (20.1)	(17)	(7)	0.95 (27)	121250628
3/8	R3/8	1.12 (28.4)	0.61 (15.5)	0.81 (20.6)	0.45 (11.4)	0.79 (20.1)	(19)	(7)	1.13 (32)	121250638
3/8	R1/2	1.10 (27.9)	0.61 (15.5)	0.96 (24.4)	0.55 (14.0)	0.79 (20.1)	(22)	(7)	1.69 (48)	121250648
1/2	R1/4	1.28 (32.5)	0.72 (18.3)	0.81 (20.6)	0.43 (10.9)	0.76 (19.3)	(19)	(7)	0.99 (28)	121250728
1/2	R3/8	1.22 (31.0)	0.72 (18.3)	0.81 (20.6)	0.45 (11.4)	0.76 (19.3)	(19)	(8)	1.13 (32)	121250738
1/2	R1/2	1.16 (29.5)	0.72 (18.3)	0.96 (24.4)	0.55 (14.0)	0.76 (19.3)	(22)	(10)	1.66 (47)	121250748

Straight adaptor (internal hex) Inch O/D tube
1242A


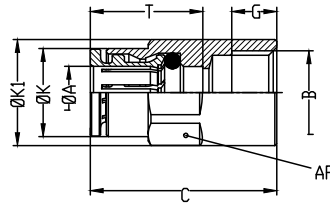
ØA	B	C	G	ØK	T	AF	Weight oz (g)	Model
1/8	10/32 UNF	0.79 (20.1)	0.16 (4.1)	0.31 (7.9)	0.55 (14.0)	(2)	0.18 (5)	1242A0110
1/4	10/32 UNF	0.83 (21.1)	0.16 (4.1)	0.41 (10.4)	0.59 (15.0)	(2)	0.18 (5)	1242A0410
1/4	M5	0.83 (21.1)	0.16 (4.1)	0.41 (10.4)	0.59 (15.0)	(2)	0.18 (5)	1222A0405

Cap / female plug Inch
12012


ØA	C	ØK	T	Weight oz (g)	Model
5/32	0.59 (15.0)	0.35 (8.9)	0.55 (13.9)	0.14 (4)	120120200
1/4	0.68 (17.3)	0.47 (11.9)	0.64 (16.3)	0.25 (7)	120120400
3/8	0.83 (21.1)	0.60 (15.2)	0.79 (20.1)	0.42 (12)	120120600
1/2	0.80 (20.3)	0.72 (18.3)	0.77 (19.6)	0.53 (15)	120120700

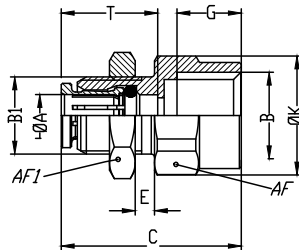
Straight adaptor Inch O/D tube to female NPTF thread 12426

Dimensions in inches (mm)
Projection/First angle



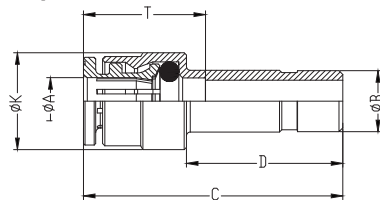
ØA	B	C	G	ØK	ØK1	T	AF	Weight oz (g)	Model
1/8	1/8 NPTF	0.94 (23.9)	0.28 (7.1)	0.35 (8.9)	0.51 (13.0)	0.55 (14.0)	(12)	0.53 (15)	124260118
1/8	1/4 NPTF	1.10 (27.9)	0.39 (9.9)	0.35 (8.9)	0.65 (16.5)	0.55 (14.0)	(15)	0.99 (28)	124260128
5/32	1/8 NPTF	0.94 (23.9)	0.28 (7.1)	0.35 (8.9)	0.51 (13.0)	0.55 (14.0)	(12)	0.53 (15)	124260218
5/32	1/4 NPTF	1.10 (27.9)	0.39 (9.9)	0.35 (8.9)	0.65 (16.5)	0.55 (14.0)	(15)	0.99 (28)	124260228
1/4	1/8 NPTF	1.02 (25.9)	0.28 (7.1)	0.46 (11.7)	0.51 (13.0)	0.64 (16.3)	(12)	0.49 (14)	124260418
1/4	1/4 NPTF	1.18 (30.0)	0.39 (9.9)	0.47 (11.9)	0.65 (16.5)	0.64 (16.3)	(15)	0.95 (27)	124260428
5/16	1/8 NPTF	1.06 (26.9)	0.28 (7.1)	0.54 (13.7)	0.60 (15.2)	0.69 (17.5)	(14)	0.56 (16)	124260518
5/16	1/4 NPTF	1.24 (31.5)	0.39 (9.9)	0.54 (13.7)	0.65 (16.5)	0.69 (17.5)	(15)	0.99 (28)	124260528
3/8	1/4 NPTF	1.30 (33.0)	0.39 (9.9)	0.61 (15.5)	0.73 (18.5)	0.79 (20.1)	(17)	1.06 (30)	124260628
3/8	3/8 NPTF	1.34 (34.0)	0.41 (10.4)	0.61 (15.5)	0.79 (20.1)	0.79 (20.1)	(17)	1.34 (38)	124260638
1/2	1/4 NPTF	1.23 (31.2)	0.39 (9.9)	0.74 (18.8)	0.81 (20.6)	0.76 (20.1)	(19)	1.06 (30)	124260728

Female bulkhead adaptor Inch O/D tube to NPT female 12432



ØA	B	B1	C	E	T	AF	AF1	Weight oz (g)	Model
1/4	1/4 NPTF	M12X1	1.10 (27.9)	0.28 (7.1)	0.59 (15.0)	(17)	(17)	1.06 (30)	124320428
3/8	1/4 NPTF	M18X1	1.32 (33.5)	0.47 (11.9)	0.79 (20.1)	(22)	(22)	2.15 (61)	124320628

Tube end reducer and expander tube stem to Inch O/D tube 12023



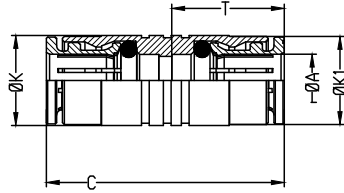
Expanding

ØA	ØB	C	D	ØK	T	Weight oz (g)	Model
1/4	1/8	1.34 (34.0)	0.65 (16.5)	0.50 (12.7)	0.64 (16.3)	0.39 (11)	120230104
1/4	5/32	1.34 (34.)	0.65 (16.5)	0.50 (12.7)	0.64 (16.3)	0.53 (15)	120230204

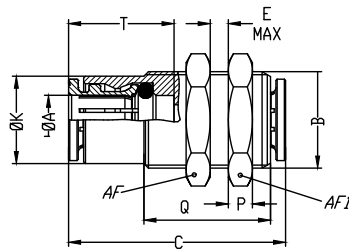
Reducing

ØA	ØB	C	D	ØK	T	Weight oz (g)	Model
1/8	5/32	1.24 (31.5)	0.65 (16.5)	0.35 (8.9)	0.55 (14)	0.28 (8)	120230201
1/8	1/4	1.16 (29.5)	0.71 (18.0)	0.35 (8.9)	0.55 (14)	0.28 (8)	120230401
5/32	1/4	1.16 (29.5)	0.71 (18.0)	0.35 (8.9)	0.55 (14)	0.35 (10)	120230402
5/32	3/8	1.22 (31.0)	0.96 (24.4)	0.38 (9.7)	0.55 (14)	0.56 (16)	120230602
1/4	3/8	1.46 (37.1)	0.91 (23.1)	0.50 (12.7)	0.64 (16.3)	0.60 (17)	120230604
1/4	1/2	1.32 (33.5)	1.02 (25.9)	0.50 (12.7)	0.64 (16.3)	0.74 (21)	120230704
3/8	1/2	1.57 (39.9)	0.94 (23.8)	0.57 (14.5)	0.79 (20.1)	0.95 (27)	120230706

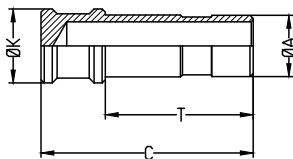
**Straight connector Inch O/D tube
12020**

 Dimensions in inches (mm)
 Projection/First angle


ØA	C	ØK	ØK1	T	Weight oz (g)	Model
1/8	1.14 (29.0)	0.33 (8.4)	0.35 (8.9)	0.55 (14.0)	0.39 (11)	120200100
5/32	1.14 (29.0)	0.33 (8.4)	0.35 (8.9)	0.55 (14.0)	0.39 (11)	120200200
3/16	1.22 (31.0)	0.39 (9.9)	0.43 (10.9)	0.59 (15.0)	0.56 (16)	120200300
1/4	1.32 (33.5)	0.46 (11.7)	0.47 (11.9)	0.64 (16.3)	0.56 (16)	120200400
5/16	1.46 (37.1)	0.54 (13.7)	0.55 (14.0)	0.69 (17.5)	0.81 (23)	120200500
3/8	1.63 (41.4)	0.61 (15.5)	0.67 (17.0)	0.79 (20.1)	1.16 (33)	120200600
1/2	1.56 (39.6)	0.72 (18.3)	0.74 (18.8)	0.76 (19.3)	1.41 (40)	120200700

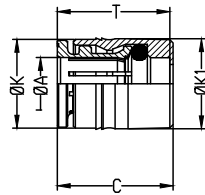
**Bulkhead connector Inch O/D tube
12029**


ØA	B	C	E	ØK	P	Q	T	AF	AF1	Weight oz (g)	Model
1/8	M10X1	1.14 (29)	0.41 (10.4)	0.35 (8.9)	0.16 (4.1)	0.79 (20.1)	0.55 (14)	(14)	(14)	0.56 (16)	120290100
5/32	M10X1	1.14 (29)	0.41 (10.4)	0.35 (8.9)	0.16 (4.1)	0.79 (20.1)	0.55 (14)	(14)	(14)	0.56 (16)	120290200
3/16	M12X1	1.22 (31)	0.41 (10.4)	0.39 (9.9)	0.16 (4.1)	0.79 (20.1)	0.59 (15)	(17)	(17)	0.74 (21)	120290300
1/4	M14X1	1.32 (33.5)	0.45 (11.4)	0.49 (12.4)	0.16 (4.1)	0.83 (21.1)	0.64 (16.3)	(17)	(17)	0.88 (25)	120290400
5/16	M16X1	1.42 (36.1)	0.45 (11.4)	0.57 (14.5)	0.16 (4.1)	0.83 (21.1)	0.69 (17.5)	(19)	(19)	1.09 (31)	120290500
3/8	M18X1	1.61 (40.9)	0.51 (13)	0.62 (15.7)	0.18 (4.6)	0.93 (23.6)	0.79 (20.1)	(22)	(22)	1.48 (42)	120290600
1/2	M20X1	1.56 (39.6)	0.57 (14.5)	0.74 (18.8)	0.18 (4.6)	0.98 (24.9)	0.76 (19.3)	(24)	(24)	1.51 (43)	120290700

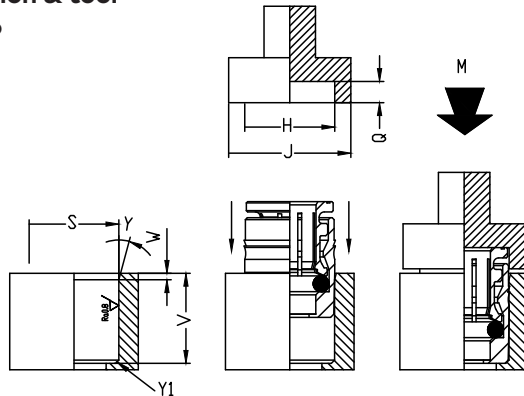
**Plug Inch
(Nickel plated brass) 12004**


ØA	C	ØK	T	Weight oz (g)	Model
1/8	1.04 (26.5)	0.22 (5.6)	0.65 (16.5)	0.11 (3)	120040100
1/4	1.10 (28)	0.24 (6.1)	0.65 (16.5)	0.21 (6)	120040400
5/16	1.04 (26.5)	0.33 (8.4)	0.71 (18)	0.14 (4)	120040500
3/8	1.30 (33)	0.45 (11.4)	0.91 (23.1)	0.35 (10)	120040600

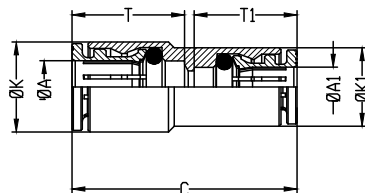
**Cartridge fitting Inch O/D tube
(Brass) 12036**

 Dimensions in inches (mm)
Projection/First angle


ØA	C	ØK	ØK1	T	Weight oz (g)	Model
1/8	0.59 (15)	0.34 (8.6)	0.35 (8.9)	0.55 (13.9)	0.14 (4)	120360100
5/32	0.57 (14.5)	0.34 (8.6)	0.35 (8.9)	0.55 (13.9)	0.14 (4)	120360200
1/4	0.67 (17)	0.46 (11.7)	0.48 (12.2)	0.64 (16.3)	0.28 (8)	120360400
5/16	0.71 (18)	0.54 (13.7)	0.56 (14.2)	0.69 (17.5)	0.39 (11)	120360500
3/8	0.81 (20.6)	0.62 (15.7)	0.64 (16.3)	0.79 (20.1)	0.53 (15)	120360600
1/2	0.78 (19.8)	0.74 (18.8)	0.76 (19.3)	0.76 (19.3)	0.56 (16)	120360800

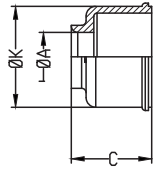
**Insertion & tool
12036**


ØH	ØJ	M Min lb (Kg)	M Max lb (Kg)	Q	ØS (tol. +0.0004"/ -0.0016")	V	W	Y	Y1	Model
0.35 (8.9)	0.55 (14)	440.9 (200)	793.7 (360)	0.13 (3.3)	0.344 (8.7)	0.45 (11.4)	0.02 (.5)	15°	0.020 (0.51)X45°	120360100
0.35 (8.9)	0.55 (14)	440.9 (200)	793.7 (360)	0.13 (3.3)	0.344 (8.7)	0.43 (11)	0.02 (.5)	15°	0.020 (0.51)X45°	120360200
0.47 (11.9)	0.67 (17)	352.7 (160)	1256.6 (570)	0.15 (3.9)	0.470 (11.9)	0.47 (12)	0.02 (.5)	15°	0.020 (0.51)X45°	120360400
0.55 (14)	0.75 (19.1)	308.6 (140)	881.8 (400)	0.13 (3.3)	0.549 (13.9)	0.55 (14)	0.02 (.5)	15°	0.020 (0.51)X45°	120360500
0.63 (16)	0.83 (21.1)	330.7 (150)	1433 (650)	0.14 (3.6)	0.628 (16.0)	0.65 (16.5)	0.02 (.5)	15°	0.020 (0.51)X45°	120360600
0.75 (19.1)	0.94 (23.9)	330.7 (150)	1433 (650)	0.14 (3.6)	0.746 (18.9)	0.61 (15.5)	0.02 (.5)	15°	0.020 (0.51)X45°	120360800

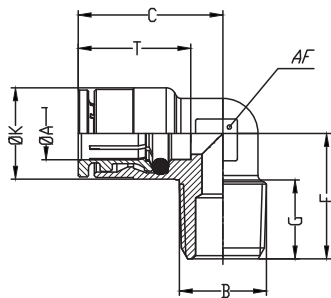
**Straight connector Inch O/D tube to Metric O/D tube
12037**


ØA	ØA1	C	ØK	ØK1	T	T1	Weight oz (g)	Model
1/4	0.24 (6)	1.32 (33.5)	0.47 (11.9)	0.47 (11.9)	0.64 (16.3)	0.63 (16)	0.56 (16)	120370406
3/8	0.39 (10)	1.63 (41.4)	0.66 (16.8)	0.66 (16.8)	0.79 (20.1)	0.80 (20.3)	1.16 (33)	120370610
1/2	0.47 (12)	1.56 (39.6)	0.74 (18.8)	0.74 (18.8)	0.76 (19.3)	0.76 (19.3)	1.41 (40)	120370712

**Protective cap Metric
(Thermoplastic) 10000**

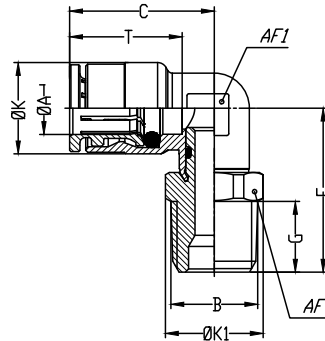
 Dimensions in inches (mm)
 Projection/First angle


ØA	C	ØK	Weight oz (g)	Model
4	0.42 (10.7)	0.42 (10.7)	0.04 (1)	100000400
5	0.43 (11)	0.46 (11.7)	0.04 (1)	100000500
6	0.45 (11.5)	0.54 (13.7)	0.04 (1)	100000600
8	0.57 (14.5)	0.62 (15.7)	0.04 (1)	100000800
10	0.52 (13.2)	0.73 (18.5)	0.04 (1)	100001000
12	0.61 (15.5)	0.81 (20.7)	0.04 (1)	100001200

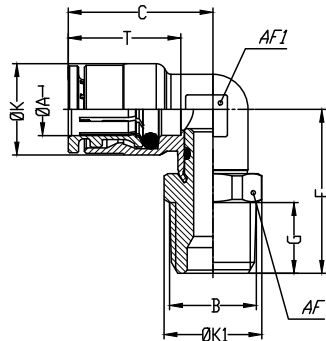
**Fixed elbow adaptor Inch O/D tube to male NPTF thread
12445**


ØA	B	C	E	G	ØK	T	AF	Weight oz (g)	Model
1/8	1/8 NPTF	0.69 (17.5)	0.59 (15)	0.30 (7.6)	0.35 (8.9)	0.55 (14)	(8)	0.35 (10)	124450118
5/32	1/8 NPTF	0.69 (17.5)	0.59 (15)	0.30 (7.6)	0.35 (8.9)	0.55 (14)	(8)	0.35 (10)	124450218
3/16	1/8 NPTF	0.81 (20.6)	0.61 (15.5)	0.31 (7.9)	0.39 (9.9)	0.59 (15)	(8)	0.42 (12)	124450318
1/4	1/8 NPTF	0.81 (20.6)	0.65 (16.5)	0.33 (8.4)	0.50 (12.7)	0.64 (16.3)	(8)	0.63 (18)	124450418
1/4	1/4 NPTF	0.81 (20.6)	0.77 (19.6)	0.47 (11.9)	0.50 (12.7)	0.64 (16.3)	(8)	0.63 (18)	124450428
1/4	3/8 NPTF	0.91 (23.1)	0.87 (22.1)	0.51 (13)	0.50 (12.7)	0.64 (16.3)	(12)	0.92 (26)	124450438
5/16	1/8 NPTF	0.89 (22.6)	0.67 (17)	0.30 (7.6)	0.56 (14.2)	0.69 (17.5)	(11)	0.67 (19)	124450518
5/16	1/4 NPTF	0.89 (22.6)	0.77 (19.6)	0.49 (12.4)	0.56 (14.2)	0.69 (17.5)	(11)	0.71 (20)	124450528
3/8	1/8 NPTF	1.02 (25.9)	0.71 (18)	0.33 (8.4)	0.65 (16.5)	0.79 (20.1)	(13)	0.95 (27)	124450618
3/8	1/4 NPTF	1.02 (25.9)	0.85 (21.6)	0.47 (11.9)	0.65 (16.5)	0.79 (20.1)	(13)	1.02 (29)	124450628
3/8	3/8 NPTF	1.02 (25.9)	0.85 (21.6)	0.47 (11.9)	0.65 (16.5)	0.79 (20.1)	(13)	1.06 (30)	124450638
3/8	1/2 NPTF	1.04 (26.4)	1.14 (29)	0.63 (16)	0.65 (16.5)	0.79 (20.1)	(15)	1.83 (52)	124450648
1/2	1/4 NPTF	1.04 (26.4)	0.91 (23.1)	0.49 (12.4)	0.77 (19.6)	0.76 (19.3)	(15)	1.38 (39)	124450728
1/2	3/8 NPTF	1.04 (26.4)	0.91 (23.1)	0.49 (12.4)	0.77 (19.6)	0.76 (19.3)	(15)	1.38 (39)	124450738
1/2	1/2 NPTF	1.04 (26.4)	1.14 (29)	0.63 (16)	0.77 (19.6)	0.76 (19.3)	(15)	1.90 (54)	124450748

**Swivel elbow adaptor Inch O/D tube to male BSPT thread
12147**

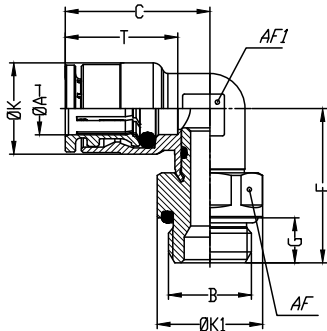
 Dimensions in inches (mm)
 Projection/First angle


ØA	B	C	E	G	ØK	ØK1	T	AF	AF1	Weight oz (g)	Model
3/16	R1/8	0.81 (20.6)	0.81 (20.6)	0.30 (7.6)	0.39 (9.9)	0.52 (13.2)	0.59 (15)	(12)	(9)	0.63 (18)	121470318
3/16	R1/4	0.81 (20.6)	0.94 (23.9)	0.43 (10.9)	0.39 (9.9)	0.60 (15.2)	0.59 (15)	(14)	(9)	0.88 (25)	121470328
1/4	R1/8	0.81 (20.6)	0.83 (21.1)	0.30 (7.6)	0.50 (12.7)	0.52 (13.2)	0.64 (16.3)	(12)	(9)	0.88 (25)	121470418
1/4	R1/4	0.81 (20.6)	0.96 (24.4)	0.43 (10.9)	0.50 (12.7)	0.60 (15.2)	0.64 (16.3)	(14)	(9)	0.95 (27)	121470428
3/8	R1/4	1.02 (25.9)	1.10 (28)	0.43 (10.9)	0.65 (16.5)	0.60 (15.2)	0.79 (20.1)	(14)	(13)	1.23 (35)	121470628
3/8	R3/8	1.02 (25.9)	1.14 (29)	0.45 (11.4)	0.65 (16.5)	0.81 (20.6)	0.79 (20.1)	(19)	(13)	1.66 (47)	121470638
3/8	R1/2	1.02 (25.9)	1.26 (32)	0.55 (14)	0.65 (16.5)	0.96 (24.4)	0.79 (20.1)	(22)	(13)	2.40 (68)	121470648
1/2	R1/4	1.04 (26.4)	1.16 (29.5)	0.43 (10.9)	0.77 (19.6)	0.73 (18.5)	0.76 (19.3)	(17)	(15)	1.55 (44)	121470728
1/2	R3/8	1.04 (26.4)	1.18 (30)	0.45 (11.4)	0.77 (19.6)	0.81 (20.6)	0.76 (19.3)	(19)	(15)	1.76 (50)	121470738
1/2	R1/2	1.04 (26.4)	1.30 (33)	0.55 (14)	0.77 (19.6)	0.96 (24.4)	0.76 (19.3)	(22)	(15)	2.50 (71)	121470748

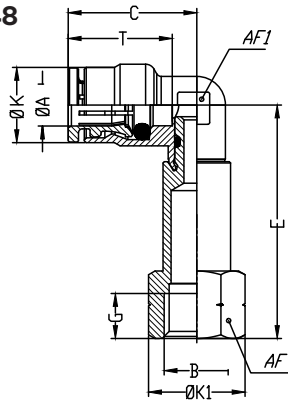
**Swivel male elbow Inch O/D tube
to male NPTF thread 12447**


ØA	B	C	E	G	ØK	ØK1	T	AF	AF1	Weight oz (g)	Model
1/8	10/32UNF	0.69 (17.5)	0.67 (17)	0.16 (4.1)	0.35 (8.9)	-	0.55 (14)	(8)	(8)	0.53 (15)	124470110
1/8	1/8 NPTF	0.69 (17.5)	0.83 (21.1)	0.31 (7.9)	0.35 (8.9)	-	0.55 (14)	(12)	(8)	0.88 (25)	124470118
1/8	1/4 NPTF	0.69 (17.5)	0.98 (24.9)	0.47 (11.9)	0.35 (8.9)	-	0.55 (14)	(14)	(8)	0.56 (16)	124470128
5/32	10/32UNF	0.69 (17.5)	0.67 (17)	0.16 (4.1)	0.35 (8.9)	-	0.55 (14)	(8)	(8)	0.92 (26)	124470210
5/32	1/8 NPTF	0.69 (17.5)	0.83 (21.1)	0.31 (7.9)	0.35 (8.9)	-	0.55 (14)	(12)	(8)	0.74 (21)	124470218
5/32	1/4 NPTF	0.69 (17.5)	0.98 (24.9)	0.47 (11.9)	0.35 (8.9)	-	0.55 (14)	(14)	(8)	0.99 (28)	124470228
3/16	1/4 NPTF	0.81 (20.6)	0.98 (24.9)	0.47 (11.9)	0.39 (9.9)	-	0.59 (15)	(14)	(9)	1.37 (39)	124470328
1/4	10/32UNF	0.81 (20.6)	0.69 (17.5)	0.31 (7.9)	0.50 (12.7)	-	0.64 (16.3)	(10)	(9)	0.78 (22)	124470410
1/4	1/8 NPTF	0.81 (20.6)	0.85 (21.6)	0.31 (7.9)	0.50 (12.7)	-	0.64 (16.3)	(12)	(9)	1.02 (29)	124470418
1/4	1/4 NPTF	0.81 (20.6)	1.00 (25.4)	0.47 (11.9)	0.50 (12.7)	-	0.64 (16.3)	(14)	(9)	1.66 (47)	124470428
1/4	3/8 NPTF	0.81 (20.6)	1.02 (25.9)	0.47 (11.9)	0.50 (12.7)	-	0.64 (16.3)	(19)	(9)	2.29 (65)	124470438
5/16	1/8 NPTF	0.89 (22.6)	0.89 (22.6)	0.31 (7.9)	0.56 (14.2)	-	0.69 (17.5)	(12)	(11)	1.31 (37)	124470518
5/16	1/4 NPTF	0.89 (22.6)	1.04 (26.4)	0.47 (11.9)	0.56 (14.2)	-	0.69 (17.5)	(14)	(11)	1.48 (42)	124470528
3/8	1/8 NPTF	0.89 (22.6)	0.98 (24.9)	0.31 (7.9)	0.65 (16.5)	-	0.79 (20.1)	(14)	(13)	1.59 (45)	124470618
3/8	1/4 NPTF	1.02 (25.9)	1.14 (29)	0.47 (11.9)	0.65 (16.5)	-	0.79 (20.1)	(14)	(13)	2.33 (66)	124470628
3/8	3/8 NPTF	1.02 (25.9)	1.16 (29.5)	0.47 (11.9)	0.65 (16.5)	-	0.79 (20.1)	(19)	(13)	1.80 (51)	124470638
3/8	1/2 NPTF	1.02 (25.9)	1.32 (33.5)	0.61 (15.5)	0.65 (16.5)	-	0.79 (20.1)	(22)	(13)	2.05 (58)	124470648
1/2	1/4 NPTF	1.04 (26.4)	1.20 (30.5)	0.47 (11.9)	0.77 (19.6)	-	0.76 (19.3)	(17)	(15)	2.05 (58)	124470728
1/2	3/8 NPTF	1.04 (26.4)	1.20 (30.5)	0.47 (11.9)	0.77 (19.6)	-	0.76 (19.3)	(19)	(15)	2.01 (57)	124470738
1/2	1/2 NPTF	1.04 (26.4)	1.36 (34.5)	0.61 (15.5)	0.77 (19.6)	-	0.76 (19.3)	(22)	(15)	2.58 (73)	124470748

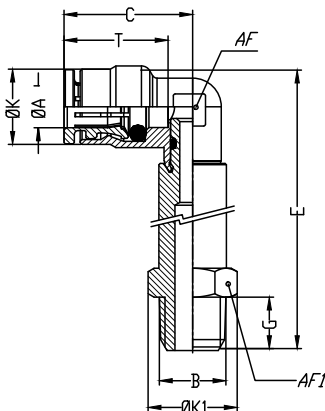
**Swivel elbow adaptor Inch O/D tube to male
ISO G thread 12247**

 Dimensions in inches (mm)
 Projection/First angle


ØA	B	C	E	G	ØK	ØK1	T	AF	AF1	Weight oz (g)	Model
1/4	G1/8	0.79 (20)	0.83 (21.1)	0.24 (6.1)	0.37 (9.4)	0.53 (13.5)	0.64 (16.3)	(12)	(9)	0.74 (21)	122470418
3/8	G3/8	0.81 (20.6)	0.91 (23.1)	0.28 (7.1)	0.37 (9.4)	0.65 (16.5)	0.64 (16.3)	(15)	(9)	1.87 (53)	122470638

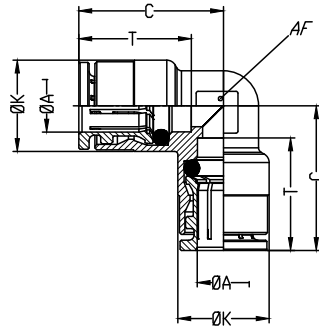
**Swivel female elbow
Inch O/D tube NPTF thread 12448**


ØA	B	C	E	G	ØK	ØK1	T	AF	AF1	Weight oz (g)	Model
1/8	1/8 NPTF	0.69 (17.5)	1.18 (29.9)	0.28 (7.1)	0.35 (8.9)	-	0.55 (14)	(13)	(8)	0.88 (25)	124480118
5/32	1/8 NPTF	0.69 (17.5)	1.18 (29.9)	0.28 (7.1)	0.35 (8.9)	-	0.55 (14)	(13)	(8)	0.74 (21)	124480218
1/4	1/8 NPTF	0.81 (20.6)	1.22 (31)	0.28 (7.1)	0.50 (12.7)	-	0.64 (16.3)	(13)	(9)	1.00 (29)	124480418
1/4	1/4 NPTF	0.81 (20.6)	1.44 (36.6)	0.39 (9.9)	0.50 (12.7)	-	0.64 (16.3)	(17)	(9)	1.70 (47)	124480428
3/8	1/4 NPTF	1.02 (25.9)	1.81 (46)	0.39 (9.9)	0.65 (16.51)	-	0.79 (20.1)	(17)	(13)	2.30 (66)	124480628

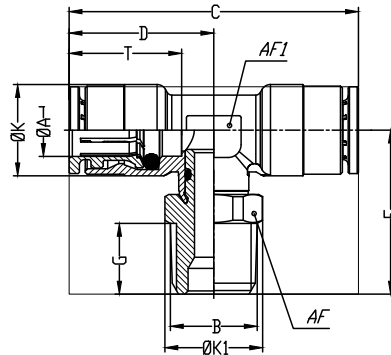
**Extended swivel elbow adaptor
Inch O/D tube to male NPTF thread 12454**


ØA	B	C	E	G	ØK	ØK1	T	AF	AF1	Weight oz (g)	Model
1/4	1/8 NPTF	0.81 (20.6)	1.46 (37.1)	0.31 (7.9)	0.50 (12.7)	-	0.64 (16.3)	(12)	(9)	1.40 (41)	124540418
1/4	1/4 NPTF	0.81 (20.6)	1.65 (41.9)	0.47 (11.9)	0.50 (12.7)	-	0.64 (16.3)	(14)	(9)	1.70 (49)	124540428
3/8	1/4 NPTF	1.02 (25.9)	2.03 (51.6)	0.47 (11.9)	0.65 (16.5)	-	0.79 (20.1)	(14)	(13)	3.00 (84)	124540628

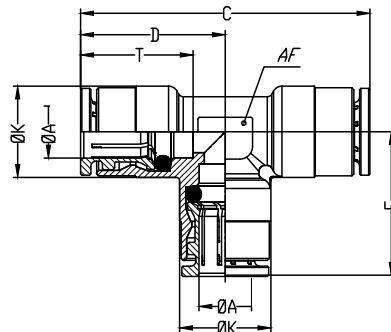
**Elbow connector Inch O/D tube
12040**

 Dimensions in inches (mm)
 Projection/First angle


ØA	C	ØK	T	AF	Weight oz (g)	Model
1/8	0.69 (17.5)	0.35 (8.9)	0.55 (14)	(8)	0.49 (14)	120400100
5/32	0.69 (17.5)	0.35 (8.9)	0.55 (14)	(8)	0.42 (12)	120400200
3/16	0.81 (20.6)	0.39 (9.9)	0.59 (15)	(9)	0.53 (15)	120400300
1/4	0.81 (20.6)	0.50 (12.7)	0.64 (16.3)	(9)	0.60 (17)	120400400
5/16	0.89 (22.6)	0.56 (14.2)	0.69 (17.5)	(11)	0.78 (22)	120400500
3/8	1.02 (25.9)	0.65 (16.5)	0.80 (20.3)	(13)	1.16 (33)	120400600
1/2	1.04 (26.4)	0.77 (19.6)	0.76 (19.3)	(15)	1.41 (40)	120400700

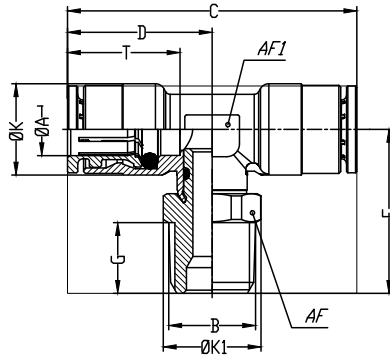
**Swivel tee adaptor Inch O/D tube to male BSPT thread
12167**


ØA	B	C	D	E	G	ØK	ØK1	T	AF	AF1	Weight oz (g)	Model
1/4	R1/8	1.61 (40.9)	0.81 (20.6)	0.94 (23.9)	0.30 (7.6)	0.50 (12.7)	0.52 (13.2)	0.65 (16.5)	(9)	(12)	1.13 (32)	121670418
1/4	R1/4	1.61 (40.9)	0.81 (20.6)	1.00 (25.4)	0.43 (10.9)	0.50 (12.7)	0.60 (15.2)	0.65 (16.5)	(9)	(14)	1.48 (42)	121670428
3/8	R1/4	2.05 (52.1)	1.02 (25.9)	1.14 (29)	0.43 (10.9)	0.65 (16.5)	0.60 (15.2)	0.79 (20)	(13)	(14)	1.66 (47)	121670628

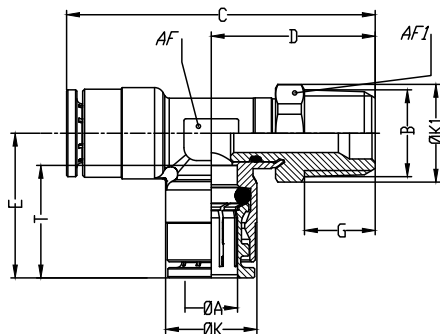
**Tee connector Inch O/D tube
12060**


ØA	C	D	E	ØK	T	AF	Weight oz (g)	Model
1/8	1.38 (35.1)	0.69 (17.5)	0.69 (17.5)	0.35 (8.9)	0.55 (14)	(8)	0.63 (18)	120600100
5/32	1.38 (35.1)	0.69 (17.5)	0.69 (17.5)	0.35 (8.9)	0.55 (14)	(8)	0.63 (18)	120600200
3/16	1.61 (40.9)	0.81 (20.6)	0.81 (20.6)	0.39 (9.9)	0.59 (15)	(9)	0.67 (19)	120600300
1/4	1.61 (40.9)	0.81 (20.6)	0.81 (20.6)	0.50 (12.7)	0.64 (16.3)	(9)	0.85 (24)	120600400
5/16	1.77 (45)	0.89 (22.6)	0.89 (22.6)	0.56 (14.2)	0.69 (17.5)	(11)	1.09 (31)	120600500
3/8	2.05 (52.1)	1.02 (25.9)	1.02 (25.9)	0.65 (16.5)	0.79 (20)	(13)	1.52 (43)	120600600
1/2	2.09 (53.1)	1.04 (26.4)	1.04 (26.4)	0.77 (19.6)	0.76 (19.3)	(15)	1.90 (54)	120600700

**Swivel male center tee Inch O/D tube to male NPTF thread
12467**

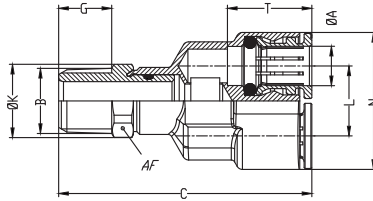
 Dimensions in inches (mm)
Projection/First angle


ØA	B	C	E	F	G	ØK	ØK1	T	AF	AF1	Weight oz (g)	Model
1/8	1/8 NPTF	1.38 (35.1)	0.69 (17.5)	0.83 (21.1)	0.32 (8.1)	0.35 (8.9)	-	0.55 (14)	(12)	(8)	0.92 (26)	124670118
1/8	1/4 NPTF	1.38 (35.1)	0.69 (17.5)	0.98 (24.9)	0.47 (11.9)	0.35 (8.9)	-	0.55 (14)	(14)	(8)	0.99 (28)	124670128
5/32	10/32 UNF	1.38 (35.1)	0.69 (17.5)	0.67 (17)	0.16 (4.1)	0.35 (8.9)	-	0.55 (14)	(8)	(8)	0.60 (17)	124670210
5/32	1/8 NPTF	1.38 (35.1)	0.69 (17.5)	0.83 (21.1)	0.32 (8.1)	0.35 (8.9)	-	0.55 (14)	(12)	(8)	0.88 (25)	124670218
1/4	1/8 NPTF	1.61 (40.9)	0.81 (20.6)	0.85 (21.6)	0.32 (8.1)	0.50 (12.7)	-	0.64 (16.3)	(12)	(9)	0.92 (26)	124670418
1/4	1/4 NPTF	1.61 (40.9)	0.81 (20.6)	1.00 (25.4)	0.47 (11.9)	0.50 (12.7)	-	0.64 (16.3)	(14)	(9)	1.34 (38)	124670428
1/4	3/8 NPTF	1.61 (40.9)	0.81 (20.6)	1.02 (25.9)	0.47 (11.9)	0.50 (12.7)	-	0.64 (16.3)	(19)	(9)	1.52 (43)	124670438
5/16	1/8 NPTF	1.77 (45)	0.89 (22.6)	0.89 (22.6)	0.32 (8.1)	0.56 (14.2)	-	0.69 (17.5)	(12)	(11)	1.41 (40)	124670518
5/16	1/4 NPTF	1.77 (45)	0.89 (22.6)	1.04 (26.4)	0.47 (11.9)	0.56 (14.2)	-	0.69 (17.5)	(14)	(11)	1.38 (39)	124670528
3/8	1/8 NPTF	2.05 (52.1)	1.02 (25.9)	0.98 (24.9)	0.32 (8.1)	0.65 (16.5)	-	0.79 (20)	(14)	(13)	1.76 (50)	124670618
3/8	1/4 NPTF	2.05 (52.1)	1.02 (25.9)	1.14 (29)	0.47 (11.9)	0.65 (16.5)	-	0.79 (20)	(14)	(13)	1.73 (49)	124670628
3/8	3/8 NPTF	2.05 (52.1)	1.02 (25.9)	1.16 (29.5)	0.47 (11.9)	0.65 (16.5)	-	0.79 (20)	(19)	(13)	2.47 (70)	124670638
3/8	1/2 NPTF	2.05 (52.1)	1.02 (25.9)	1.32 (33.5)	0.61 (15.5)	0.65 (16.5)	-	0.79 (20)	(22)	(13)	3.00 (85)	124670648
1/2	1/4 NPTF	2.09 (53.1)	1.04 (26.4)	1.20 (30.5)	0.47 (11.9)	0.77 (19.6)	-	0.76 (19.3)	(17)	(15)	1.98 (56)	124670728
1/2	3/8 NPTF	2.09 (53.1)	1.04 (26.4)	1.20 (30.5)	0.47 (11.9)	0.77 (19.6)	-	0.76 (19.3)	(19)	(15)	2.26 (64)	124670738
1/2	1/2 NPTF	2.09 (53.1)	1.04 (26.4)	1.36 (34.5)	0.61 (15.5)	0.77 (19.6)	-	0.76 (19.3)	(22)	(15)	3.03 (86)	124670748

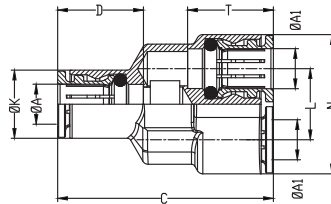
**Swivel male side tee adaptor,
Inch O/D tube to male taper NPTF thread 12468**


ØA	B	C	D	E	G	ØK	ØK1	T	AF1	AF	Weight oz (g)	Model
5/32	10/32 UNF	1.36 (34.5)	0.67 (17)	0.69 (17.5)	0.16 (4.1)	0.35 (8.9)	0.35 (8.9)	0.55 (14)	(8)	(8)	0.60 (17)	124680210
5/32	1/8 NPTF	1.52 (38.6)	0.83 (21.1)	0.69 (17.5)	0.31 (7.9)	0.35 (8.9)	-	0.55 (14)	(8)	(12)	0.88 (25)	124680218
1/4	1/8 NPTF	1.65 (41.9)	0.85 (21.6)	0.81 (20.6)	0.47 (11.9)	0.50 (12.7)	-	0.64 (16.3)	(9)	(12)	0.92 (26)	124680418
1/4	1/4 NPTF	1.81 (46)	1.00 (25.4)	0.81 (20.6)	0.47 (11.9)	0.50 (12.7)	-	0.64 (16.3)	(9)	(14)	1.34 (38)	124680428
5/16	1/4 NPTF	1.93 (49)	1.04 (26.4)	0.89 (22.6)	0.47 (11.9)	0.56 (14.2)	-	0.69 (17.5)	(11)	(14)	1.38 (39)	124680528
3/8	1/8 NPTF	2.01 (51.1)	0.98 (24.9)	1.02 (25.9)	0.31 (7.9)	0.65 (16.5)	-	0.79 (20)	(13)	(14)	1.76 (50)	124680618
3/8	1/4 NPTF	2.17 (55.1)	1.14 (29)	1.02 (25.9)	0.47 (11.9)	0.65 (16.5)	-	0.79 (20)	(13)	(14)	1.73 (49)	124680628
3/8	3/8 NPTF	2.19 (55.6)	1.16 (29.5)	1.02 (25.9)	0.47 (11.9)	0.65 (16.5)	-	0.79 (20)	(13)	(19)	2.47 (70)	124680638
1/2	1/2 NPTF	2.40 (61)	1.20 (30.5)	1.04 (26.4)	0.47 (11.9)	0.77 (19.6)	-	0.76 (19.3)	(22)	(17)	1.98 (56)	124680748

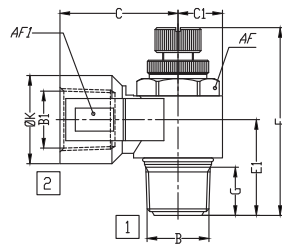
**Swivel male Y adaptor Inch
O/D tube NPTF thread 12488**

 Dimensions in inches (mm)
Projection/First angle


ØA	B	C	G	ØK	N	L	T	AF	Weight oz (g)	Model
1/4	1/8 NPTF	1.67 (42.4)	0.32 (8.1)	0.47 (11.9)	0.96 (24.4)	0.49 (12.5)	0.64 (16.3)	(12)	1.20 (34)	124880418
1/4	1/4 NPTF	1.83 (46.5)	0.47 (11.9)	0.55 (14)	0.96 (24.4)	0.49 (12.5)	0.64 (16.3)	(14)	1.41 (40)	124880428
3/8	3/8 NPTF	2.36 (60)	0.47 (11.9)	0.75 (19.1)	1.24 (31.5)	0.63 (16)	0.79 (20.1)	(19)	3.53 (100)	124880638

**Y connector Inch O/D tube
12082**


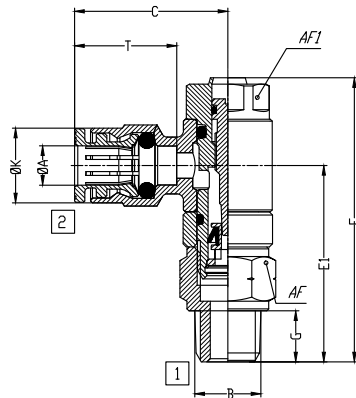
ØA	ØA1	C	D	ØK	N	L	T	Weight oz (g)	Model
5/32	5/32	1.30 (33)	0.55 (14)	0.35 (8.9)	0.71 (18)	0.35 (8.9)	0.55 (14)	0.67 (19)	120820200
1/4	1/4	1.54 (39.1)	0.64 (16.3)	0.47 (11.9)	0.96 (24.4)	0.49 (12.4)	0.64 (16.3)	1.06 (30)	120820400

**Elbow flow control - hand adjustment
NPT thread to NPTF thread (Aluminum Body) 12VA0**


B	B1	C	C1	E	E1	G	ØK	AF	AF1	Weight oz (g)	Model
1/8 NPTF	1/8 NPTF	0.72 (18.3)	0.29 (7.4)	1.60 (40.6)	0.63 (16)	0.30 (7.6)	0.57 (14.5)	(12)	(15)	1.06 (30)	12VA01818
1/4 NPTF	1/4 NPTF	1.04 (26.4)	0.37 (9.4)	1.80 (45.7)	0.83 (21.1)	0.38 (9.7)	0.71 (18)	(15)	(19)	2.12 (60)	12VA02828
3/8 NPTF	3/8 NPTF	1.21 (30.7)	0.46 (11.7)	2.16 (54.9)	0.98 (24.9)	0.50 (12.7)	0.91 (23.1)	(19)	(24)	3.77 (107)	12VA03838
1/2 NPTF	1/2 NPTF	1.52 (38.6)	0.55 (14)	2.39 (60.7)	1.14 (29)	0.56 (14.2)	1.04 (26.4)	(24)	(28)	6.00 (170)	12VA04848

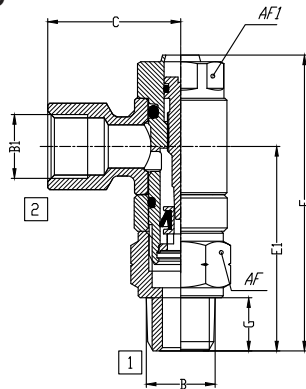
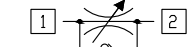
Banjo flow control - screw driver adjustment Inch O/D tube to NPT thread 12VB0

Dimensions in inches (mm)
Projection/First angle



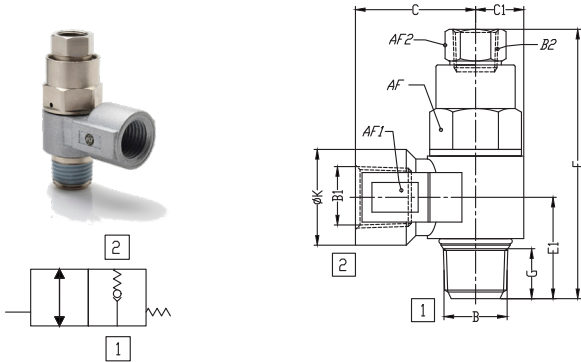
ØA	B	C	E	E1	G	ØK	T	AF	AF1	Weight oz (g)	Model
1/4	1/8 NPTF	0.96 (24.4)	1.75 (44.5)	1.20 (30.5)	0.31 (7.9)	0.46 (11.7)	0.65 (16.5)	(13)	(12)	1.80 (51)	12VB00418
1/4	1/4 NPTF	1.04 (26.4)	1.97 (50)	1.42 (36.1)	0.47 (11.9)	0.46 (11.7)	0.65 (16.5)	(17)	(15)	2.68 (76)	12VB00428
3/8	1/4 NPTF	1.14 (29)	1.97 (50)	1.42 (36.1)	0.47 (11.9)	0.61 (15.5)	0.79 (20)	(17)	(15)	2.86 (81)	12VB00628
3/8	3/8 NPTF	1.20 (30.5)	1.46 (37.1)	0.49 (12.5)	0.47 (11.9)	0.61 (15.5)	0.79 (20)	(20)	(18)	4.02 (114)	12VB00638

Banjo flow control - screw driver adjustment NPTF thread to NPT thread 12VB0



B	B1	C	E	E1	G	AF	AF1	Weight oz (g)	Model
1/8 NPTF	1/8 NPTF	0.79 (20.1)	1.75 (44.5)	1.20 (30.5)	0.31 (7.9)	(13)	(12)	1.45 (41)	12VB01818
1/4 NPTF	1/4 NPTF	1.00 (25.4)	1.97 (50)	1.42 (36.1)	0.47 (11.9)	(17)	(15)	2.50 (71)	12VB02828
3/8 NPTF	3/8 NPTF	1.10 (27.9)	2.30 (58.4)	1.46 (37.1)	0.47 (11.9)	(20)	(19)	3.67 (104)	12VB03838

**Pilot operated check valve
NPTF thread (Aluminum Body) 124GA**



B	B1	B2	C	C1	E	E1	G	ØK	AF	AF1	AF2	Weight oz (g)	Model
1/8 NPT	1/8 NPT	M5	1.61 (40.9)	0.29 (7.4)	1.61 (40.9)	0.64 (16.3)	0.20 (5.1)	0.57 (14.5)	(12)	(15)	(8)	1.23 (35)	124GA1818
1/4 NPT	1/4 NPT	1/8 NPT	1.93 (49)	0.37 (9.4)	1.93 (49)	0.84 (21.3)	0.26 (6.6)	0.71 (18)	(17)	(19)	(12)	2.72 (77)	124GA2828
3/8 NPT	3/8 NPT	1/8 NPT	2.23 (56.6)	0.46 (11.7)	2.23 (56.6)	0.98 (24.9)	0.28 (7.1)	0.91 (23.1)	(20)	(24)	(12)	4.52 (128)	124GA3838
1/2 NPT	1/2 NPT	1/4 NPT	2.78 (70.6)	0.55 (14)	2.78 (70.6)	1.17 (29.7)	0.34 (8.6)	1.04 (26.4)	(24)	(28)	(17)	7.73 (219)	124GA4848

Warning

These products are intended for use in industrial compressed air systems only. Do not use these products where pressures and temperatures can exceed those listed under **»Technical features/data«**.

Before using these products with fluids other than those specified, for non-industrial applications, life-support systems or other applications not within published specifications, consult Norgren Ltd.

Through misuse, age, or malfunction, components used in fluid power systems can fail in various modes.

The system designer is warned to consider the failure modes of all component parts used in fluid power systems and to provide adequate safeguards to prevent personal injury or damage to equipment in the event of such failure.

System designers must provide a warning to end users in the system instructional manual if protection against a failure mode cannot be adequately provided.

System designers and end users are cautioned to review specific warnings found in instruction sheets packed and shipped with these products.