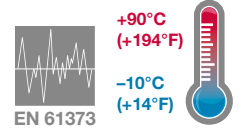


- > **Port size:**
DN 25, G1
- > **High flow rate**
- > **Suitable for contaminated process fluid**
- > **Damped closing (Valves closes against flow direction)**
- > **Suitable for vacuum up to max. 90%**
- > **Option pressure actuated by external liquid fluid**
- > **Shock and vibration tested to EN 61373, Category 1, class B**



Technical features

Medium:
Neutral gases and liquids

Pilot fluid:
Neutral gases max. +80°C (+176°F)

Switching function:
Normally closed

Operation:
Pressure actuated by external fluid

Mounting position:
Optional

Flow direction:
Determined

Port size:
G1, DN 25

Pilot connection:
G1/4

Operating pressure:
0 ... 10 bar (0 ... 145 psi)

Pilot pressure:
3,5 ... 8 bar (50,7 ... 116 psi)

Fluid temperature:
-10 ... +90°C (+14 ... +194°F)

Ambient temperature:
-10 ... +60°C (+14 ... +122°F)

Material:
Process fluid characteristics:
Body: Dezincification Brass (CW617N)
Seat seal: PTFE
Internal parts: Brass, Stainless steel
Spindle sealing: PTFE/FPM, self-adjustable
Pilot fluid characteristics:
Body: Stainless steel, Aluminium
Bottom: WEMA-Kor, coated
Seals: NBR
Internal parts: Coated steel

Technical data

Symbol	Port size	Orifice (mm)	Actuator ø (mm)	Flow kv value *1) (m³/h)	Operating pressure (bar)	Weight *3) (kg)	Model *3)
	G1	25	70	15	0 ... 10	1,8	8495584.0000.00000

*1) Cv-value (US) ≈ kv value x 1,2

*2) For gases and liquid fluids up to 600 mm²/s (cSt)

*3) Without pilot valve

Notes
for 3/2-way pilot valve 8495236.9784

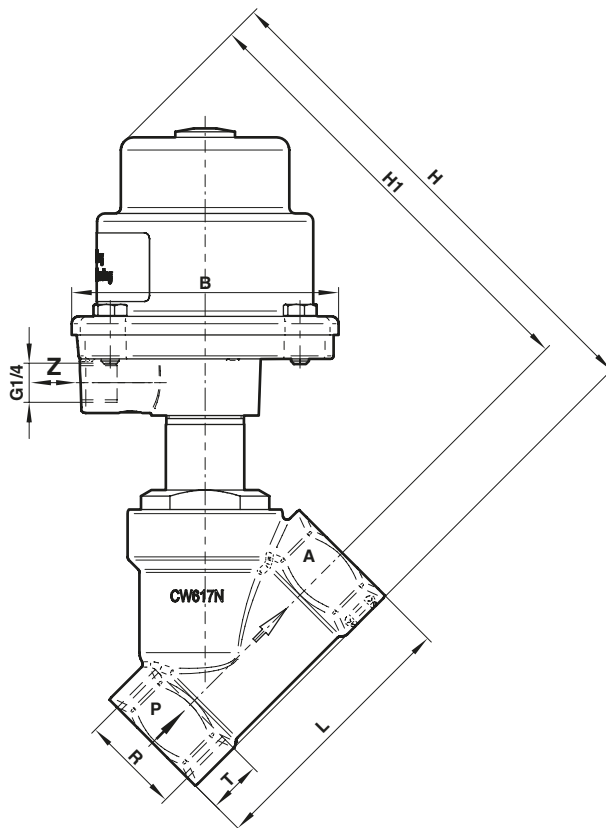
Material	Body Brass
Pilot fluid temperature	max. +60°C
Pilot pressure	0 ... 10 bar
Standard voltages	24 V d.c., 110 V a.c.

Electrical Data
for 3/2-way pilot valve 8495236.9784

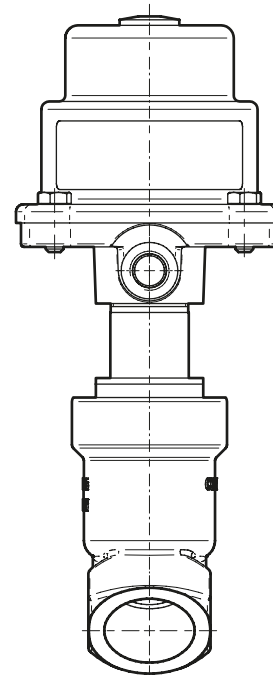
Voltage range	±30%
Duty cycle	100% ED
Protection class	EN 60529 IP65 with mounted socket
Socket	Form A acc. to DIN EN 175301-803 (included)

Further versions on request!

Dimensions



Dimensions in mm
Projection/First angle



Port size R	B	H	H1	L	T	Model
G1	89,5	170	149	90	18	8495584.0000.00000

Note to Pressure Equipment Directive (PED):

The valves of this series, including the connection size DN 25 (G1), are according to Art. 4 § 3 of the Pressure Equipment Directive (PED) 2014/68/EU. This means interpretation and production are in accordance to engineers practice wellknown in the member countries. The CE-sign at the valve refers not to the PED. Thus the declaration of conformity is not longer applicable for this directive.

For valves > DN 25 (G1) Art. 3 § (1) No.1.4 applies:

The basic requirements of the Enclosure I of the PED must be fulfilled. The CE-sign at the valve includes the PED. A certificate of conformity of this directive will be available on request.

Note to Electromagnetic Compatibility Guideline (EMC):

The valves shall be provided with an electrical circuit which ensures the limits of the harmonised standards EN 61000-6-3 and EN 61000-6-1 are observed, and hence the requirements of the Electromagnetic Compatibility Guideline 2014/30/EU satisfied.