

- Give visual indication of level of pressure drop across units
- Provide indication of condition of filter elements
- Domed lens gives wide angle of visibility
- Enable pressure drop in various parts of the system to be monitored



Technical Data

Medium:

Compressed air, filtered and lubricated

Operation:

Pressure drop indicator

Mounting:

Panel mounted and line mounted models

Port Size:

G¹/₈

Operating Pressure:

16 bar maximum

Pressure Drop Indication:

<0,4 bar indicator all green

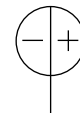
0,4 - 1 bar indicator part green and part red

>1 bar indicator all red

Operating Temperature:

+2°C* to +66°C

*Consult our Technical Service for use below +2°C

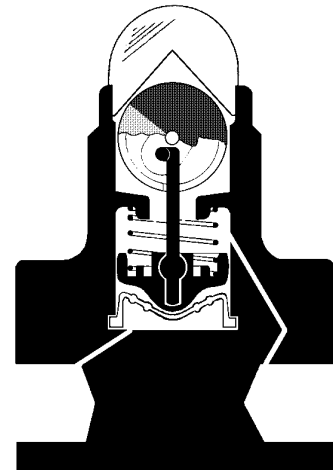


Materials

Aluminium body, stainless steel spring, synthetic rubber seals and diaphragm.

Ordering Information

To order, quote model number from table overleaf, e.g. 18-833-025 for the panel mounted model with rear port connections.





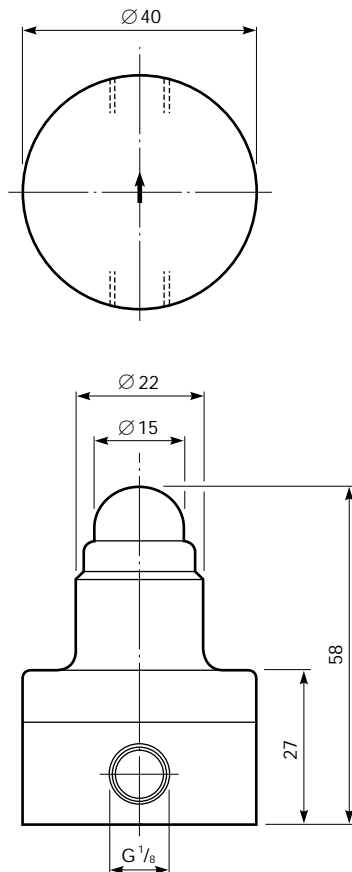
General Information

Model	Mounting	Port connections	Weight (kg)	Spares kit
18-833-001	In-line	In-line	0,11	P0550A-02
18-833-009	Panel	In-line	0,11	P0550A-02
18-833-017	In-line	Rear	0,11	P0550A-02
18-833-025	Panel	Rear	0,11	P0550A-02

Warning

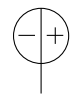
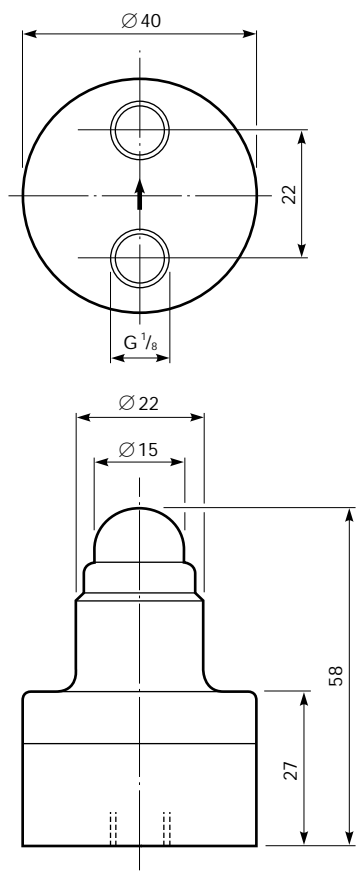
These products are intended for use in industrial compressed air systems only. Do not use these products where *pressures* and *temperatures* can exceed those listed under 'Technical Data'.
Before using these products with fluids other than those specified, for non-industrial applications, life-support systems, or other applications not within published specifications, consult NORGREN MARTONAIR.
Through misuse, age, or malfunction, components used in fluid power systems can fail in various modes. The system designer is warned to consider the failure modes of all component parts used in fluid power systems and to provide adequate safeguards to prevent personal injury or damage to equipment in the event of such failure.
System designers must provide a warning to end users in the system instructional manual if protection against a failure mode cannot be adequately provided.
System designers and end users are cautioned to review specific warnings found in instruction sheets packed and shipped with these products.

Pressure Drop Indicators



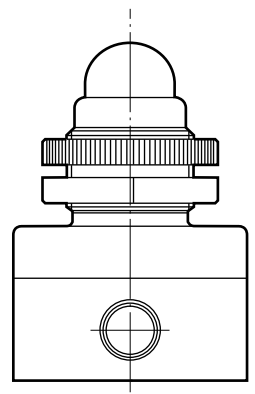
Model Number: **18-833-001**
Ports: In-line

Pressure Drop Indicators



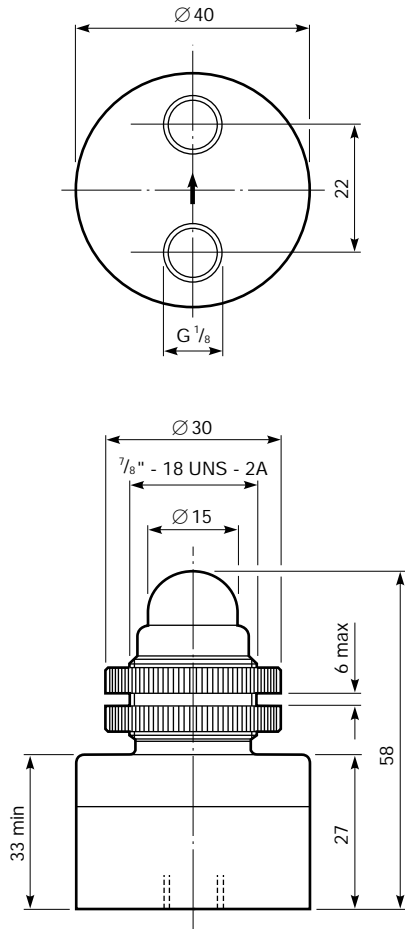
Model Number: **18-833-017**
Ports: Rear

Pressure Drop Indicators





Pressure Drop Indicators



Model Number: **18-833-025**

Ports: Rear

Panel Hole: $\varnothing 23$ mm

Panel Thickness: 6 mm maximum

This pressure drop indicator is suitable for panel mounting.