

**Parallel Gripper
Single Acting**

- Non-contact signal detection via inductive proximity sensors (PNP type) with connector plug
- Stainless steel lever arms

Technical Data

Medium:

Compressed air, filtered and lubricated

Operating Pressure:

4 - 8 bar

Operating Temperature:

+5°C to +70°C

Operation:

Single acting cylinder closes arms, spring return mechanism of cylinder opens arms when air pressure is released

Air Connection:

M/60332/11 - M5

M/60342/11 - M5

M/60352/11 - G $\frac{1}{8}$

Jaw Opening:

Refer to dimensional table overleaf

Maximum Load Capacity:

M/60332/11 - 0,5 kg

M/60342/11 - 4,5 kg

M/60352/11 - 8 kg

Theoretical Closing Force (at 6 bar supply pressure):

M/60332/11 - 395N

M/60342/11 - 645N

M/60352/11 - 1595N

Standard Strokes*:

M/60332/11 - 15 mm

M/60342/11 - 20 mm

M/60352/11 - 30 mm

* Refer to dimensional table overleaf for Stroke/Jaw opening.

**Materials**

Aluminium body, stainless steel lever arms.

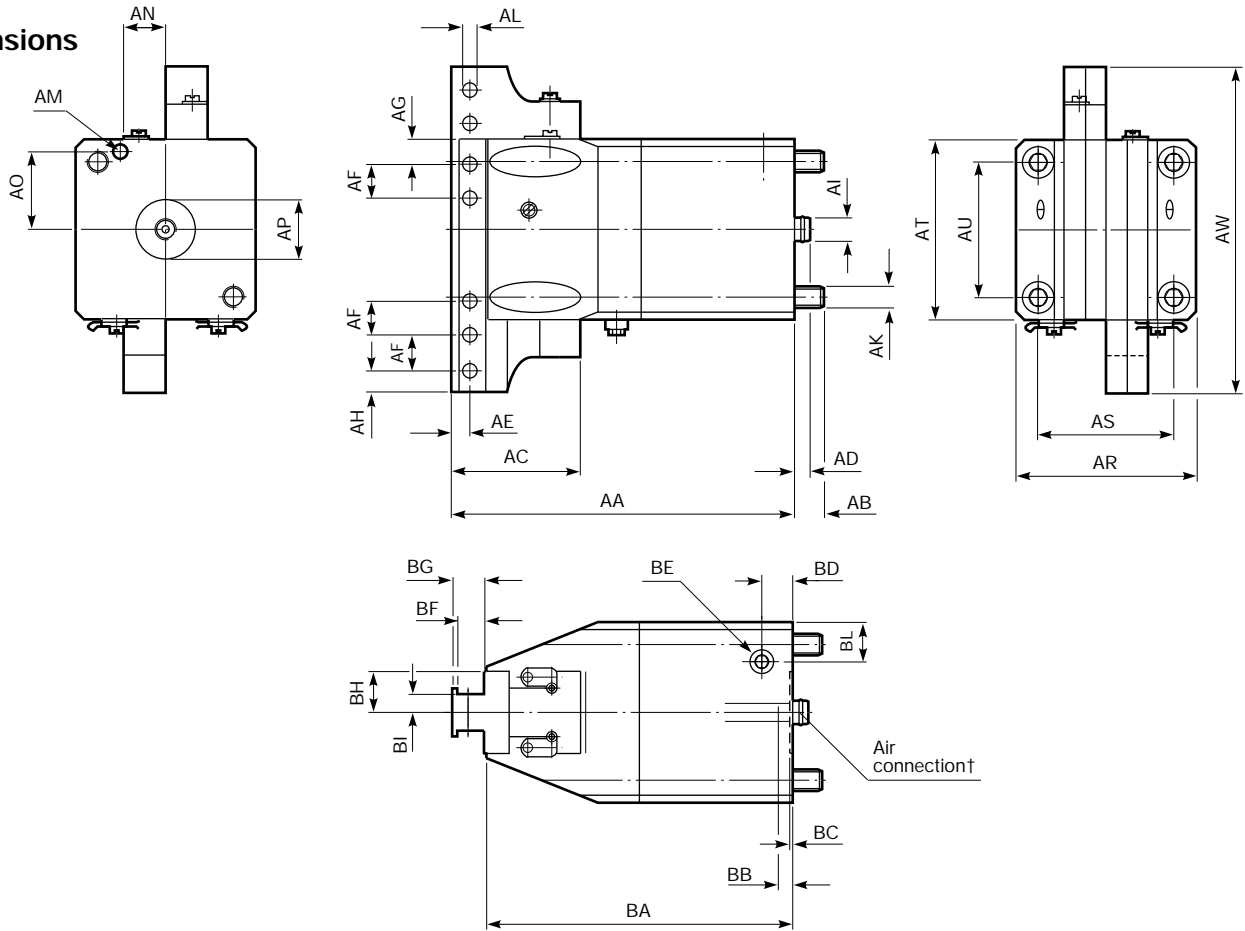
Ordering Information

To order a Parallel Gripper with a 20 mm stroke quote:

M/60342/11.



Basic Dimensions



Model	M/60332/11	M/60342/11	M/60352/11
AA	83,5	107,5	143
AB	6,5	9,5	12
AC	30	42	54
AD	6	7	7
AE	4,5	5,5	7,5
AF	7	9,5	14,5
AG	7	8	10,5
AH	6,5	7,5	10
AI	∅5,9 ^{-0,1}	∅7,9 ^{-0,1}	∅7,9 ^{-0,1}
AK	M4	M6	M8
AL	M3	M4	M6
AM	∅3 ^{H7} x 3	∅4 ^{H7} x 4	∅5 ^{H7} x 5
AN	10 ^{±0,02}	10 ^{±0,02}	19 ^{±0,02}
AO	17 ^{±0,02}	20 ^{±0,02}	32,5 ^{±0,02}
AP	∅25 ^{H11}	∅25 ^{H11}	∅25 ^{H11}
AR	40	50	75
AS	30	36	56
AT	40	50	75
AU	30	36	56
AW	74,3 max,*	93,5 max,**	137,5 max,***
BA	74	95,5	128
BB	5,5	6	6
BC	1,5	1,5	1,5
BD	11	12	12,5
BE	M5	M5	G ¹ / ₈
BF	7 ^{+0,1}	9 ^{+0,1}	11 ^{+0,1}
BG	8,5	11	14
BH	8	10,5	17
BI	4 ^{±0,1}	5 ^{±0,1}	8 ^{±0,1}
BK	M5	M5	M5
BL	7	10	15,5

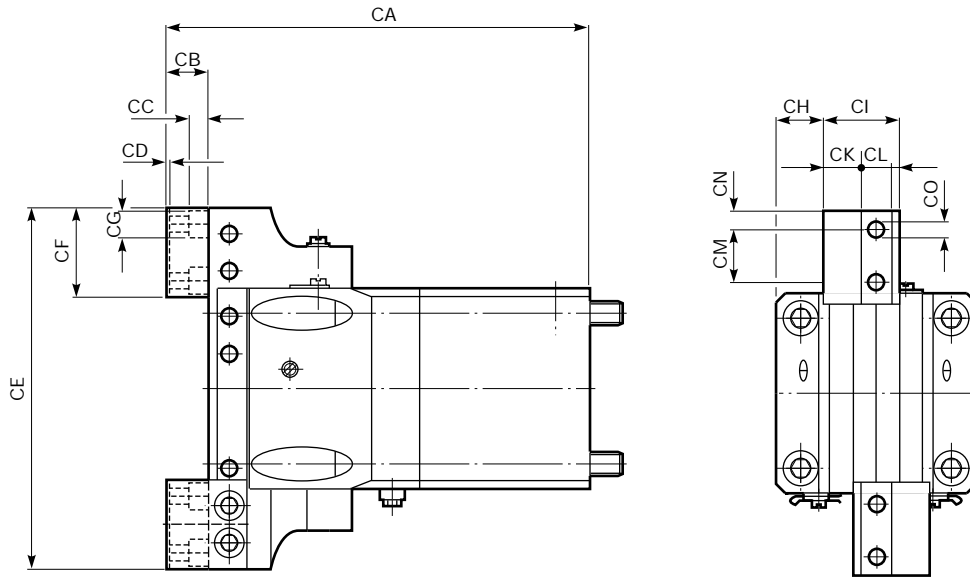
* 15 mm stroke, ** 20 mm stroke, *** 30 mm stroke.

† Order separately, QM/60332/11/22 for gripper M/60332/11, QM/60342/11/22 for grippers M/60342/11 and M/60352/11.

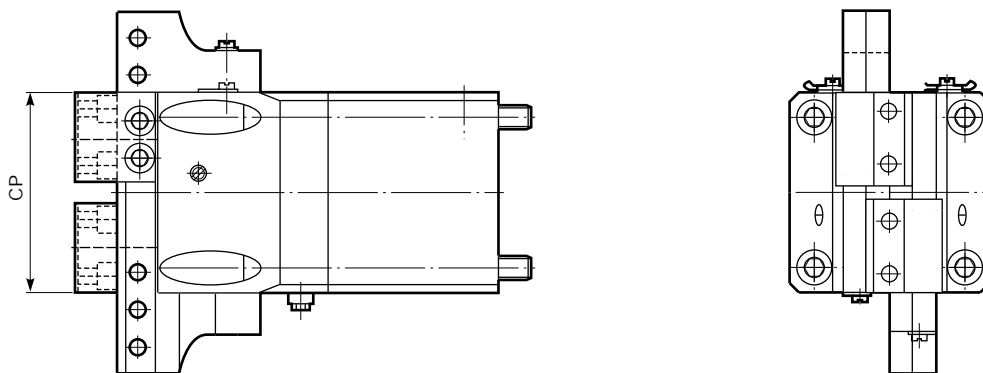


Basic Dimensions

Mounting for "external" gripping



Mounting for "internal" gripping



Model	QM/60332/11/21	QM/60342/11/21	QM/60352/11/21
For gripper model	M/60332/11	M/60342/11	M/60352/11
CA	92	115,5	158
CB	8	7,5	14,5
CC	3,5	4,5	7
CD	1	1	1,5
CE	74,3 max,*	93,5 max,**	138 max,***
CF	20	25	35
CG	∅6	∅8	∅10,5
CH	10	13,5	18
CI	17	19	29
CK	6	6,5	13,5
CL	8 ^{H11}	10 ^{H11}	12 ^{H11}
CM	11	14	20
CN	4,5	5,5	7,5
CO	3,5	4,5	6,5
CP	40 + stroke*	50 + stroke**	75 + stroke***

* 15 mm stroke, ** 20 mm stroke, ***30 mm stroke.



Warning

These products are intended for use in industrial compressed air systems only. Do not use these products where *pressures* and *temperatures* can exceed those listed under '**Technical Data**'.

Before using these products with fluids other than those specified, for non-industrial applications, life-support systems, or other applications not within published specifications, consult NORGREN.

Through misuse, age, or malfunction, components used in fluid power systems can fail in various modes. The system designer is warned to consider the failure modes of all component parts used in fluid power systems and to provide adequate safeguards to prevent personal injury or damage to equipment in the event of such failure.

System designers must provide a warning to end users in the system instructional manual if protection against a failure mode cannot be adequately provided.

System designers and end users are cautioned to review specific warnings found in instruction sheets packed and shipped with these products.