

- Stroke adjustable over full length
- Self adjusting hydraulic damping
- Roller bearing with adjustable minimum clearance
- Non-contact signal detection via inductive proximity sensors (PNP type) with connector plugs
- Vertical and horizontal mounting

**Linear Module
Double Acting
Ø20 mm bore**



Technical Data

Medium:

Compressed air, filtered and lubricated

Operating Pressure:

4 - 8 bar

Operating Temperature:

+5°C to +70°C

Operation:

Double acting with adjustable hydraulic damping

Air Connection:

G¹/₈

Maximum Load Capacity (including assembled modules):

4,5 kg

Maximum Movement Force (along axis of guide):

2,2 Nm

Standard Stroke Length:

300 mm

Repetitive Accuracy:

≤0,1 mm

Materials

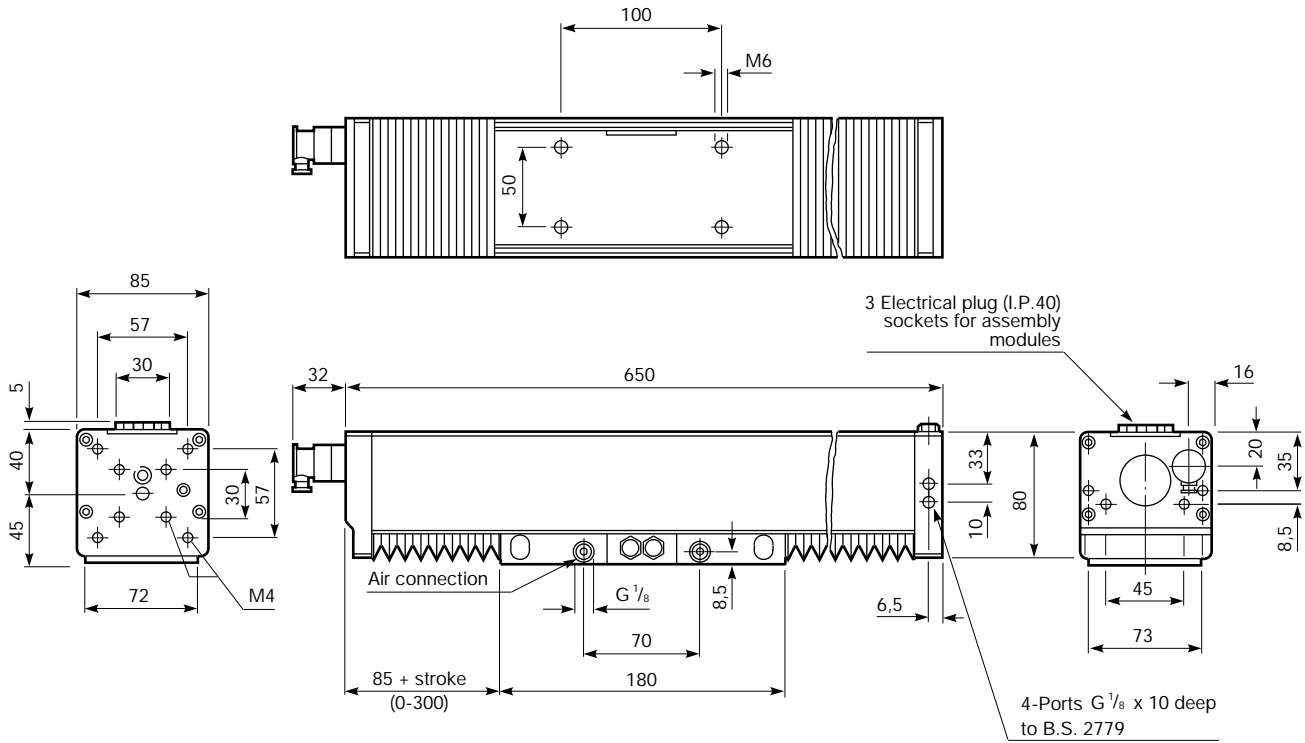
Aluminium outer cover, end plates and carriage, stainless steel cylinder barrel and piston rod, PVC gaiter.

Ordering Information

To order a basic 20 mm bore Linear Module with a 300 mm stroke quote:
M/60105/300.



Basic Dimensions



Warning

These products are intended for use in industrial compressed air systems only. Do not use these products where *pressures* and *temperatures* can exceed those listed under 'Technical Data'.

Before using these products with fluids other than those specified, for non-industrial applications, life-support systems, or other applications not within published specifications, consult NORGREN.

Through misuse, age, or malfunction, components used in fluid power systems can fail in various modes. The system designer is warned to consider the failure modes of all component parts used in fluid power systems and to provide adequate safeguards to prevent personal injury or damage to equipment in the event of such failure.

System designers must provide a warning to end users in the system instructional manual if protection against a failure mode cannot be adequately provided.

System designers and end users are cautioned to review specific warnings found in instruction sheets packed and shipped with these products.