

- Wide variety of plates available
- Facilitates the assembly of various modules together

Adaptor Plates**Technical Data**

External Port Connections:
1/8" BSP

Internal Port Connections:
Plug-in

Materials

Aluminium plates, steel fixing screws

Ordering Information

To order an adaptor plate for mounting on M/60310 Gripper to an M/60160 Short Stroke Unit quote:
M/60001.



Adaptor Plate General Uses

Adaptor plates required – Size 'A' Units

M/60310 Gripper to M/60110 Linear Module:
1 Adaptor plate M/60001

M/60310 Gripper to M/60210 Rotary Module:
No adaptor plate required

M/60310 Gripper to M/60160 Short Stroke Unit:
1 Adaptor plate M/60001

M/60310 Gripper at right angles to M/60160 Short Stroke Unit:
1 Adaptor plate M/60001
1 Right angle adaptor plate M/60006

M/60210 Rotary Module to M/60110 Linear Module:
1 Adaptor plate M/60003

M/60210 Rotary Module to M/60160 Short Stroke Unit:
1 Adaptor plate M/60003

M/60210 Rotary Module at right angles to M/60160 Short Stroke Unit:
1 Adaptor plate M/60003
1 Right angle adaptor plate M/60006

M/60160 Short Stroke Unit to M/60110 Linear Module:
No adaptor plate required

M/60110 Linear Module to M/60120 Linear Module:
1 Adaptor plate M/60005

M/60110 Linear Module to M/60400 Portal Module:
1 Adaptor plate M/60005

M/60110 Linear Module to M/60260 Rotary Module:
2 Adaptor plates M/60005

Adaptor plates required – Size 'B' Units

M/60320 Gripper to M/60120 Linear Module:
1 Adaptor plate M/60002

M/60320 Gripper to M/60220 Rotary Module:
No adaptor plate required

M/60320 Gripper to M/60170 Short Stroke Unit:
1 Adaptor plate M/60002

M/60320 Gripper at right angles to M/60170 Short Stroke Unit:
1 Adaptor plate M/60002
1 Right angle adaptor plate M/60007

M/60220 Rotary Module to M/60120 Linear Module:
1 Adaptor plate M/60004

M/60220 Rotary Module to M/60170 Short Stroke Unit:
1 Adaptor plate M/60004

M/60220 Rotary Module at right angles to M/60170 Short Stroke Unit:
1 Adaptor plate M/60004
1 Right angle adaptor plate M/60007

M/60170 Short Stroke Unit to M/60120 Linear Module:
No adaptor plate required

M/60120 Linear Module to M/60260 Rotary Module:
1 Adaptor plate M/60005
1 Adaptor plate M/60008

Warning

These products are intended for use in industrial compressed air systems only. Do not use these products where *pressures* and *temperatures* can exceed those listed under 'Technical Data'.

Before using these products with fluids other than those specified, for non-industrial applications, life-support systems, or other applications not within published specifications, consult NORGREN.

Through misuse, age, or malfunction, components used in fluid power systems can fail in various modes. The system designer is warned to consider the failure modes of all component parts used in fluid power systems and to provide adequate safeguards to prevent personal injury or damage to equipment in the event of such failure.

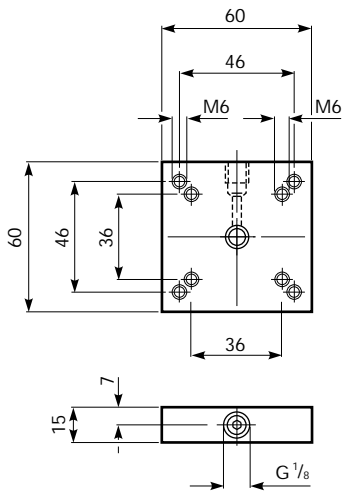
System designers must provide a warning to end users in the system instructional manual if protection against a failure mode cannot be adequately provided.

System designers and end users are cautioned to review specific warnings found in instruction sheets packed and shipped with these products.

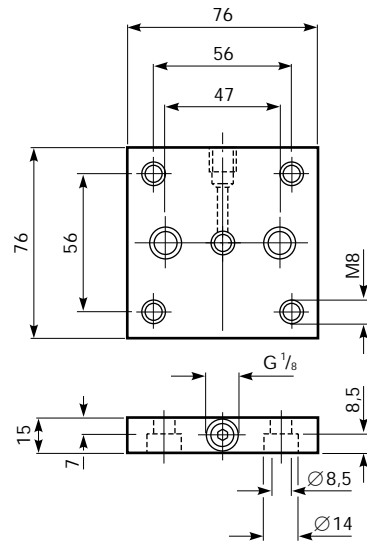


Basic Dimensions

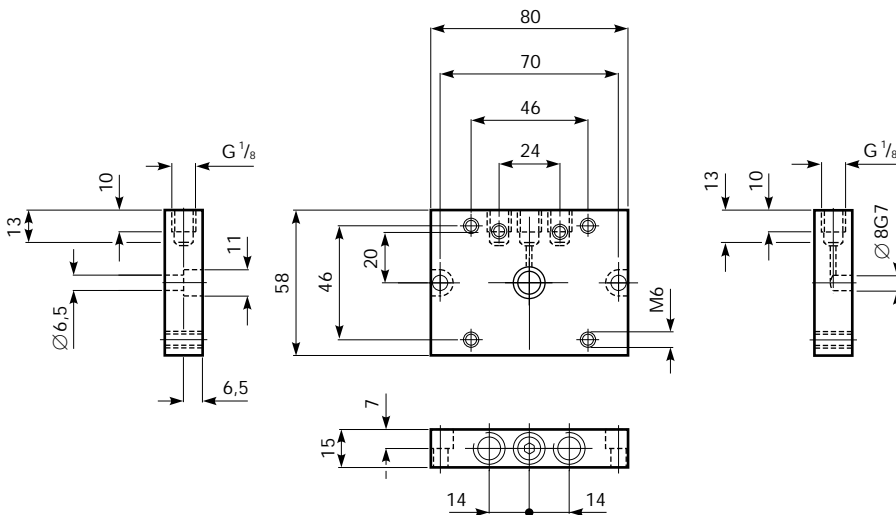
M/60001



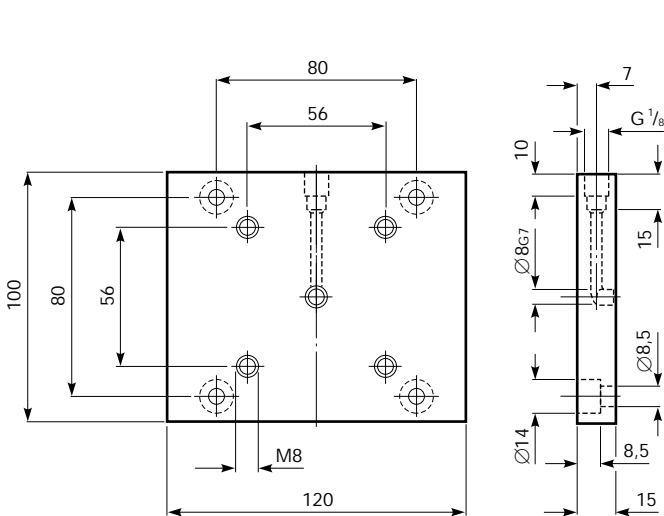
M/60002



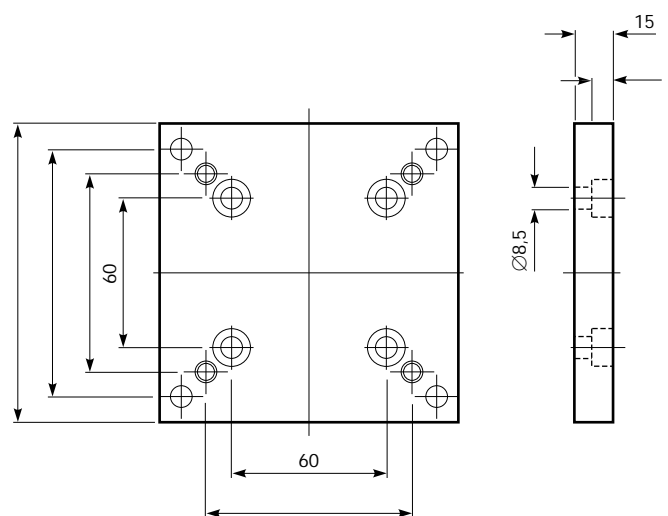
M/60003



M/60004



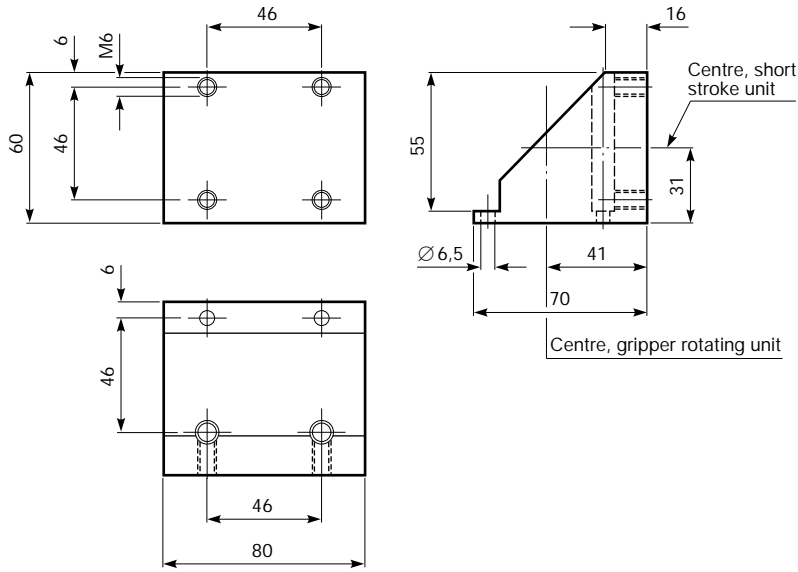
M/60005



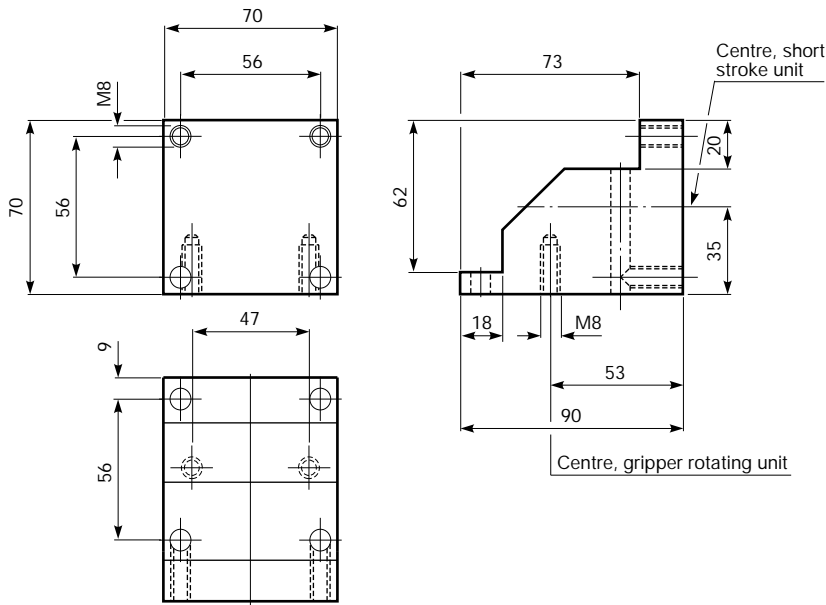


Basic Dimensions

M/60006



M/60007



M/60008

