

**Small Pivot Action Gripper
Double Acting**

- High relative gripping force
- Manually detachable universal fingers
- Two sets of fingers supplied for increased capacity
- Ideal for general assembly applications
- Very lightweight

**Technical Data**

Medium:

Compressed air, filtered and lubricated

Maximum Pressure:

8 bar

Operating Temperature:

+5°C to +70°C

Operation:

Double acting pneumatic cylinder

Air Connection:

6 mm O/D tube push-on pipe fittings

Maximum Closing Force (Estimated):

190 N

Weight:

0,28 kg

Materials

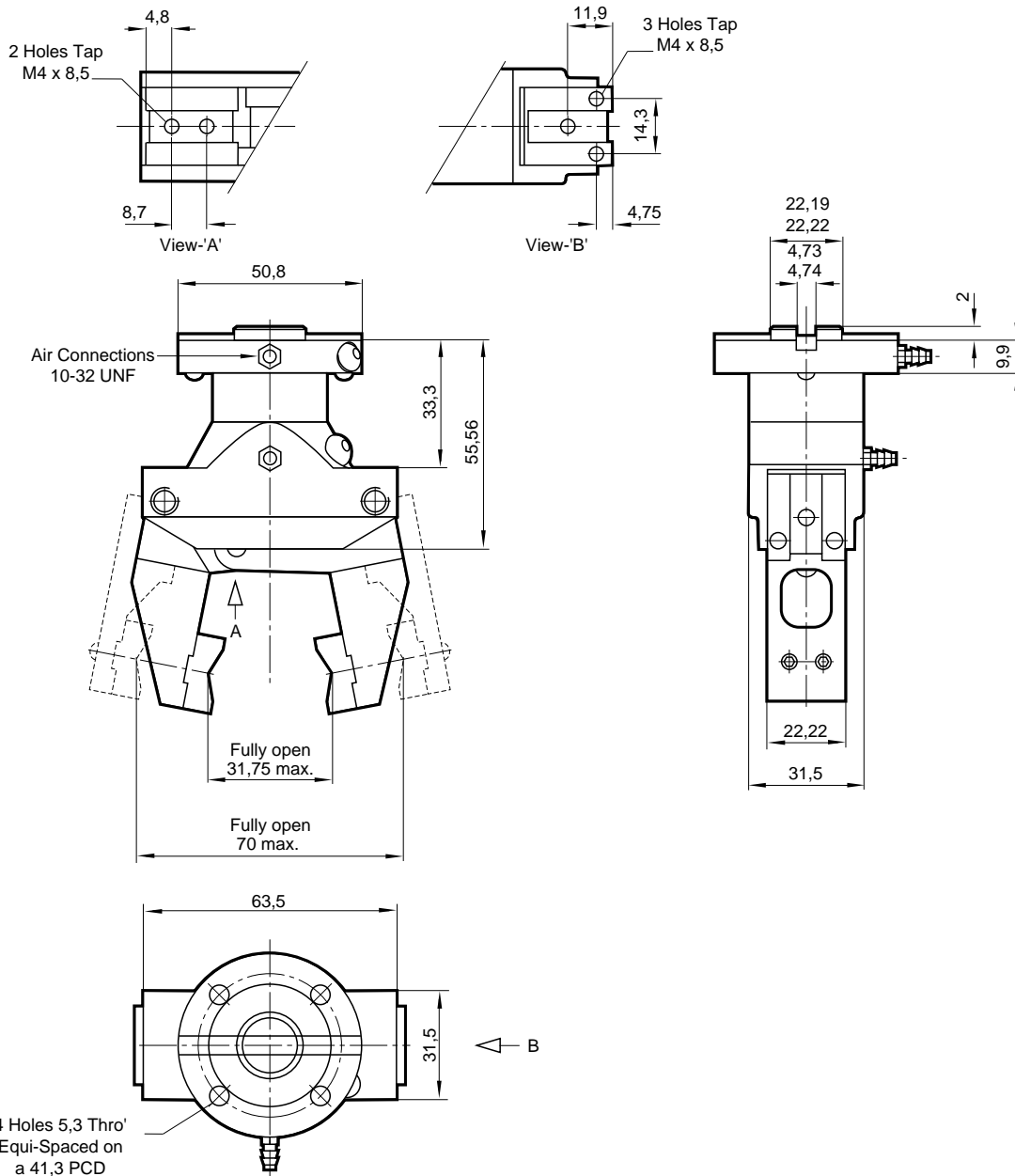
High tensile aircraft aluminium construction to BS 2014/A.

Ordering Information

To order a standard Small Pivot Action Gripper with two sets of universal fingers quote: R1087/0/1.



Basic Dimensions



Accessories

A range of Interface Plates are available, please consult our Technical Service.

Warning

These products are intended for use in industrial compressed air systems only. Do not use these products where pressures and temperatures can exceed those listed under 'Technical Data'.

Before using these products with fluids other than those specified, for non-industrial applications, life-support systems, or other applications not within published specifications, consult NORGREN.

Through misuse, age, or malfunction, components used in fluid power systems can fail in various modes. The system designer is warned to consider the failure modes of all component parts used in fluid power systems and to provide adequate safeguards to prevent personal injury or damage to equipment in the event of such failure.

System designers must provide a warning to end users in the system instructional manual if protection against a failure mode cannot be adequately provided.

System designers and end users are cautioned to review specific warnings found in instruction sheets packed and shipped with these products.