

- Quick and easy installation
- Converts vacuum signal into pneumatic output
- Fully adjustable switching points



### Technical Data

**Medium:**

Non corrosive gases and non lubricated air

**Operation:**

M/58028/VB normally open

M/58028/VF normally closed

**Operating Temperature:**

-10°C\* to +80°C

\* Consult our Technical Service for use below +2°C

**Operating Pressure:**

2 to 6 bar

**Adjustable Range:**

-0,3 to -0,85 bar

**Authorized Overpressure:**

2 bar

**Hysteresis:**

80 to 100 mbar

**Operation Accuracy:**

3% of the complete range

**Repeatability:**

< 3% of the complete range

**Switching Frequency:**

30 Hz

**Flow Rate:**

130 l/min max. M/58028/VB

70 l/min max. M/58028/VF

**Air Consumption when Achieving the Switching Point:**

3 NI/min

**Tube Connection:**

Nipple plug for tube of nominal size 2.7

**Material:**

Body: Polyacetal

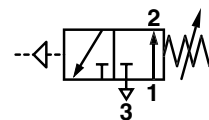
### Ordering Information

To order a pneumatic vacuum switch (normally open)

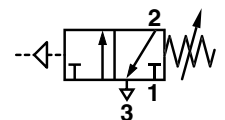
Quote: M/58028/VB

To order a pneumatic vacuum switch (normally closed)

Quote: M/58028/VF



M/58028/VB

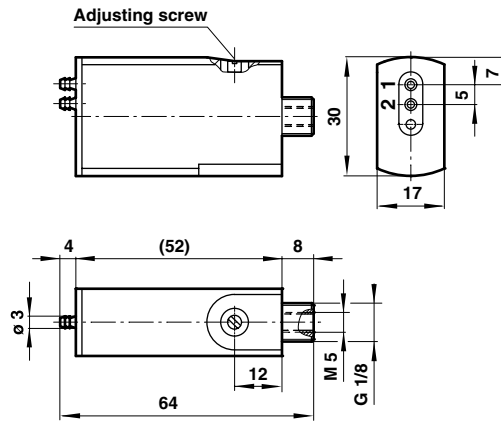


M/58028/VF



## Basic Dimensions

Weight: 32 g



## Warning

These products are intended for use in industrial compressed air systems only. Do not use these products where pressures and temperatures can exceed those listed under 'Technical Data'.

Before using these products with fluids other than those specified, for non-industrial applications, life-support systems, or other applications not within published specifications, consult NORGREN. Through misuse, age, or malfunction, components used in fluid power systems can fail in various modes.

The system designer is warned to consider the failure modes of all component parts used in fluid power systems and to provide adequate safeguards to prevent personal injury or damage to equipment in the event of such failure.

**System designers must provide a warning to end users in the system instructional manual if protection against a failure mode cannot be adequately provided.**

System designers and end users are cautioned to review specific warnings found in instruction sheets packed and shipped with these products.