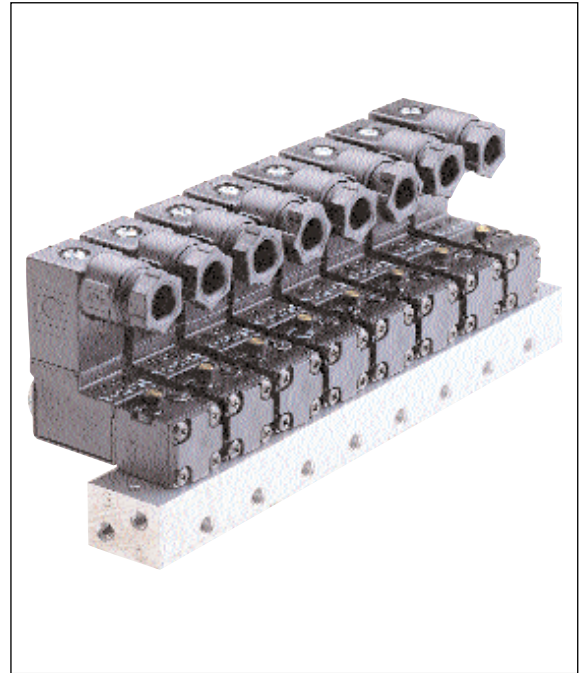




## 3/2 Poppet Valves Electrically Actuated M5

- Compact, 15mm (0.6 in) micro solenoids
- Piped exhaust for clean room applications
- Sub-base mounting
- Low power encapsulated coil
- Manual override



### Technical Data

**Medium:**

Compressed air, filtered, lubricated and non-lubricated

**Operation:**

Poppet Valve, directly actuated with spring return

**Mounting:**

Through-holes in sub-base and manifold, threaded

**Port Size:**

M5

**Operating Pressure:**

0 to 10 bar (0 to 145 psig). See overleaf for details.

**Orifice Sizes:**

See overleaf for details.

**Flow:**

Inlet Orifice	C	b	A	Cv	Kv	l/min
0.75 mm (0.03 in)	0.07	0.5	0.27	0.016	0.014	16.0

**Operating Temperature:**

-20°C (-4°F)\* to +90°C (+194°F) Supply Air

-20°C (-4°F)\* to +50°C (+122°F) Ambient

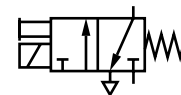
\* Consult our Technical Service for use below +2°C (+35.6°F)

**Materials:**

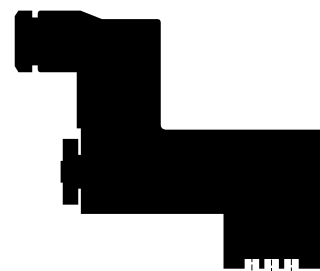
Thermoplastic nylon coil, acetal base, stainless iron armature, stainless steel tube and springs, acetal end cap, aluminium manifold base, nitrile rubber seals.

### Ordering Information

To order, quote model number followed by voltage code from tables overleaf, e.g. M/54/NTZ24V= for a model fitted with a 24V d.c. coil.



Normally Closed



3 2 1



## General Information

Symbol	Model †	Number of Valves in Assembly	Orifice Size mm (in)	Operating Pressure bar (psig)	Weight kg (lb)	Coil and Plug Assembly
	M/54/NTZ*	1	0.75 (0.03)	0 - 10 (0 - 145)	0,069 (0.152)	QM/54/*/28
	DM/54/NTZ*/T2	2	0.75 (0.03)	0 - 10 (0 - 145)	0,127 (0.279)	QM/54/*/28
	DM/54/NTZ*/T4	4	0.75 (0.03)	0 - 10 (0 - 145)	0,243 (0.536)	QM/54/*/28
	DM/54/NTZ*/T6	6	0.75 (0.03)	0 - 10 (0 - 145)	0,359 (0.791)	QM/54/*/28
	DM/54/NTZ*/T8	8	0.75 (0.03)	0 - 10 (0 - 145)	0,475 (1.047)	QM/54/*/28

\* Insert Voltage Code

†3/2 normally open 1.0mm orifice valves (0-6 bar) also available on request. Please contact IMI Webber Ltd., Bristol for details.

## Model Codes

M/54/NT ★ ★

Plugs	Substitute
No plug	Z
Standard plug	A
Plug with indicator	W
Plug with protector	X
Plug with indicator and protector	Y

## Technical Details for M/54 Valves

Voltage Tolerances:	±10%
Power:	d.c.: 1.5W 100% E.D.
Inlet Orifice:	0,75 mm (0.03 in)
Operating Pressure	0 - 10 bar (0 - 145 psig)
Plug:	A variety of plugs are available, see Section 7.7.001
Cable Entry:	Pg 7
Manual Override:	Standard, push to operate
Protection Class:	IP 65 (DIN 40 050)

## Voltage Codes

Voltage	Codes
12V d.c.	12V =
24V d.c.	24V =

## Warning

These products are intended for use in industrial compressed air systems only. Do not use these products where *pressures* and *temperatures* can exceed those listed under 'Technical Data'.

Before using these products with fluids other than those specified, for non-industrial applications, life-support systems, or other applications not within published specifications, consult Norgren.

Through misuse, age, or malfunction, components used in fluid power systems can fail in various modes. The system designer is warned to consider the failure modes of all component parts used in fluid power systems and to provide adequate safeguards to prevent personal injury or damage to equipment in the event of such failure.

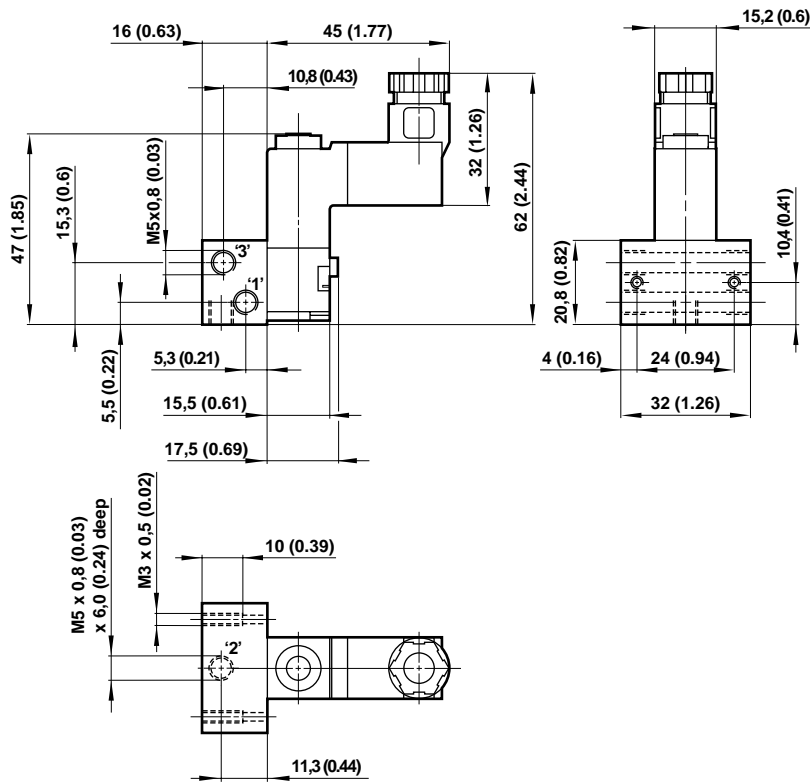
**System designers must provide a warning to end users in the system instructional manual if protection against a failure mode cannot be adequately provided.**

System designers and end users are cautioned to review specific warnings found in instruction sheets packed and shipped with these products where applicable.



**M/54**

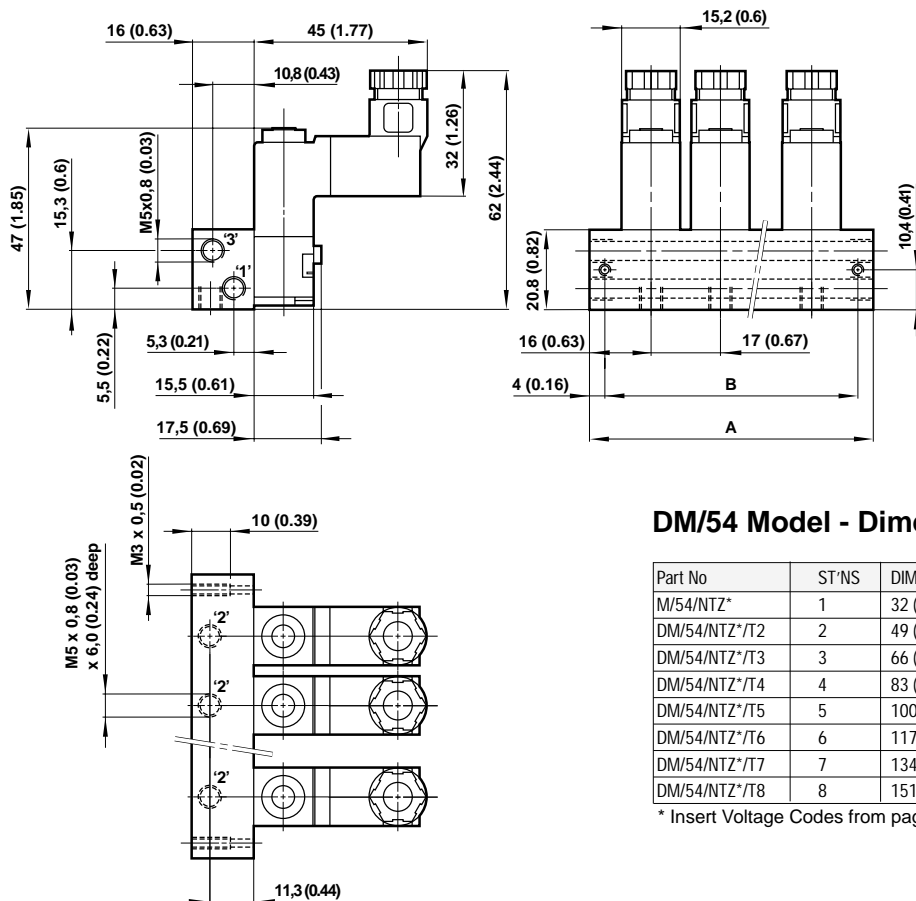
Sub-base Mounted Valve



All dimensions in mm (inch)

**DM/54 Models**

Sub-base Mounted Valve Assemblies



See note below for A and B reference.

**DM/54 Model - Dimensions for A and B**

Part No	ST'NS	DIM'N A mm (in)	DIM'N B mm (in)
M/54/NTZ*	1	32 (1.26)	24 (0.94)
DM/54/NTZ*/T2	2	49 (1.93)	41 (1.61)
DM/54/NTZ*/T3	3	66 (2.60)	58 (2.28)
DM/54/NTZ*/T4	4	83 (3.27)	75 (2.95)
DM/54/NTZ*/T5	5	100 (3.94)	92 (3.62)
DM/54/NTZ*/T6	6	117 (4.61)	109 (4.29)
DM/54/NTZ*/T7	7	134 (5.28)	126 (4.96)
DM/54/NTZ*/T8	8	151 (5.94)	143 (5.62)

\* Insert Voltage Codes from page 5.4.015.02

All dimensions in mm (inch)