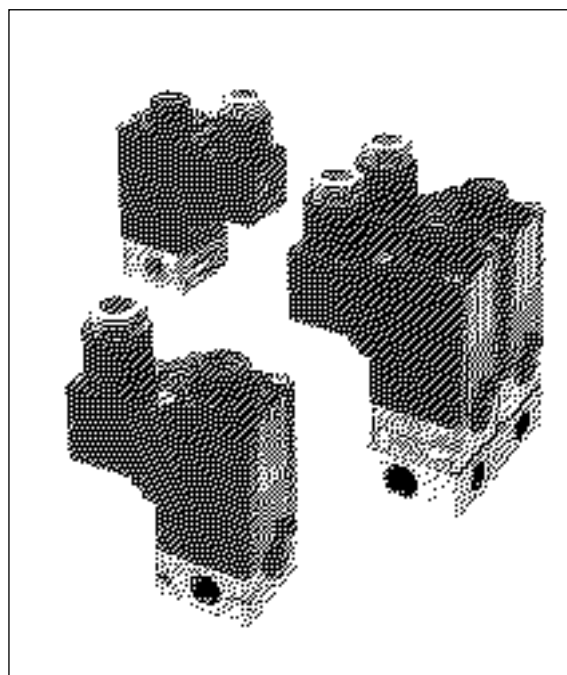



**3/2 Poppet Valves
Electrically Actuated
G¹/₈**

- Compact, integral models (M/7300/M, M/7301/M)
- Sub-base and manifold mounted models (M/7400/M, M/7401/M, DM/7400/M, DM/7401/M)
- Normally closed and normally open models
- Manual override as standard


Technical Data

Medium:

Compressed air, filtered, lubricated and non-lubricated

Operation:

Poppet Valve, directly actuated with spring return

Mounting:

2 Through holes and 2 alternative threaded holes in base

Through holes in sub-base, threaded

Port Size:

G¹/₈

Operating Pressure:

Maximum 10 bar. See overleaf for details.

Orifice Sizes:

See overleaf for details.

Flow:

Flow (to CETOP RP50P):

	C	b	A	Cv	Kv	l/min
M/7300	0,514	0,130		0,103		
M/7301	0,481	0,481		0,134		
M/7400	0,307	0,288		0,079		
M/7401	0,368	0,089		0,080		

Operating Temperature:

-15°C* to +40°C

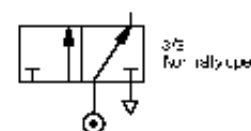
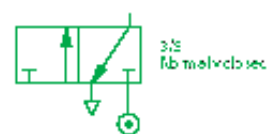
* Consult our Technical Service for use below +2°C.

Materials:

Epoxy encapsulated coil, 20% glass filled nylon base, stainless steel armature tube and spring, zinc alloy end caps, aluminium manifold base, nitrile rubber seals.

Ordering Information

To order, quote model number followed by voltage code from tables overleaf, e.g. M/7300/????





General Information

Symbol	Model	Operation	Manifold Models - Number of valves	Weight (kg)	Coil and Terminal Box Assembly	Spares kit
	M/7300/M*	Normally closed	-	0,35	-	Not available
	M/7301/M*	Normally open	-	0,35	-	Not available
	M/7400/M*	Normally closed	-	0,40	QM/7400/M*/17	Not available
	DM/7400/M*/T2	Normally closed	2	0,80	QM/7400/M*/17	Not available
	DM/7400/M*/T3	Normally closed	3	1,20	QM/7400/M*/17	Not available
	DM/7400/M*/T4	Normally closed	4	1,60	QM/7400/M*/17	Not available
	DM/7400/M*/T5	Normally closed	5	2,00	QM/7400/M*/17	Not available
	DM/7400/M*/T6	Normally closed	6	2,40	QM/7400/M*/17	Not available
	M/7401/M*	Normally open	-	0,40	QM/7401/M*/17	Not available
	DM/7401/M*/T2	Normally open	2	0,80	QM/7401/M*/17	Not available
	DM/7401/M*/T3	Normally open	3	1,20	QM/7401/M*/17	Not available
	DM/7401/M*/T4	Normally open	4	1,60	QM/7401/M*/17	Not available
	DM/7401/M*/T5	Normally open	5	2,00	QM/7401/M*/17	Not available
	DM/7401/M*/T6	Normally open	6	2,40	QM/7401/M*/17	Not available

* Insert Voltage Code

Electrical Details for M/54 Valves

Voltage Tolerances:	+10%
In-rush/Hold:	d.c.: 1.5W, a.c.: 2,5W VA 50Hz (220V 3Va) 100% E.D.
Inlet Orifice:	0,8 mm
Operating Pressure	0 - 10 bar
Plug:	A variety of plugs are available, see Section 7.7.001
Cable Entry:	Pg 7
Manual Override:	Standard, push to operate
Protection Class:	IP 65 (DIN 40050)

Voltage Codes

Voltage	Codes
12V d.c.	12V =
24V d.c.	24V =
24V 50/60Hz	24VAC
48V 50/60Hz	48VAC
110 50/60Hz	110VAC
220 50/60Hz	220VAC

Warning

These products are intended for use in industrial compressed air systems only. Do not use these products where *pressures* and *temperatures* can exceed those listed under **'Technical Data'**.

Before using these products with fluids other than those specified, for non-industrial applications, life-support systems, or other applications not within published specifications, consult Norgren.

Through misuse, age, or malfunction, components used in fluid power systems can fail in various modes. The system designer is warned to consider the failure modes of all component parts used in fluid power systems and to provide adequate safeguards to prevent personal injury or damage to equipment in the event of such failure.

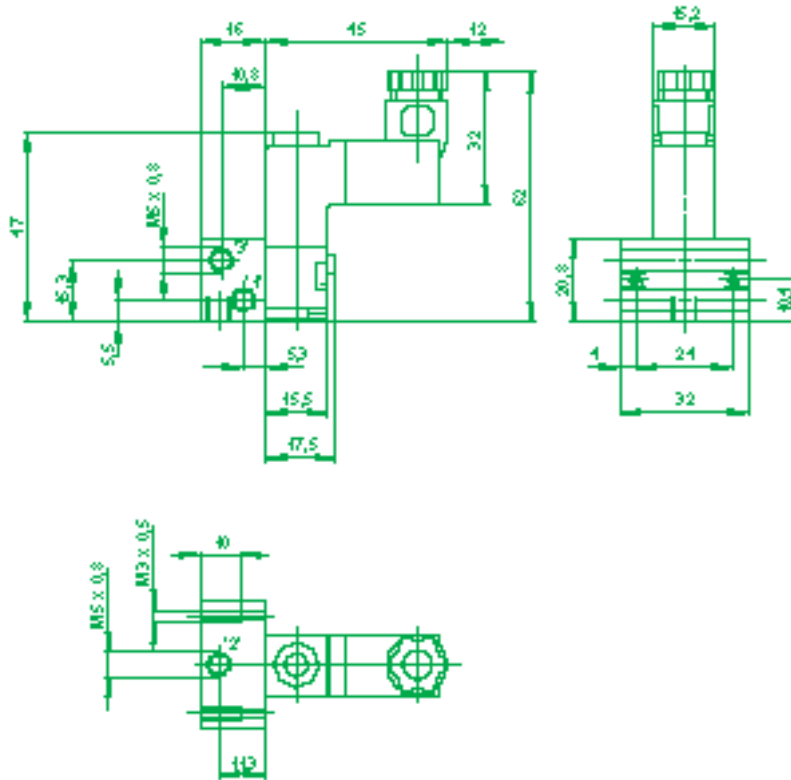
System designers must provide a warning to end users in the system instructional manual if protection against a failure mode cannot be adequately provided.

System designers and end users are cautioned to review specific warnings found in instruction sheets packed and shipped with these products where applicable.



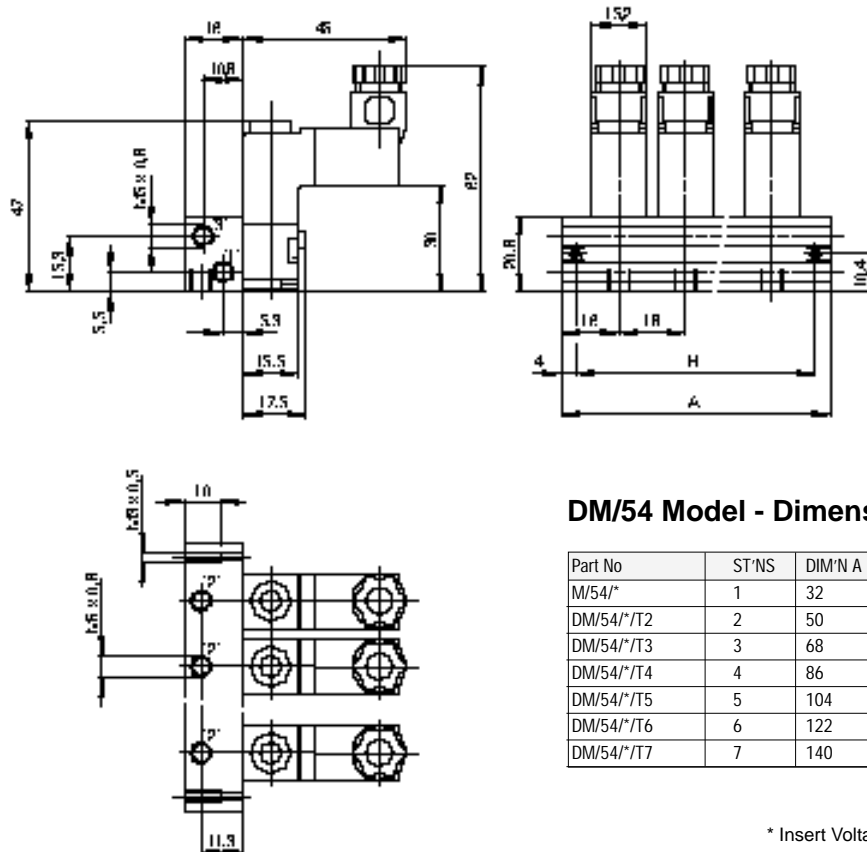
M/54

Sub-base Mounted Valve



DM/54 Models

Sub-base Mounted Valve Assemblies



See note below for A and B reference.

DM/54 Model - Dimensions for A and B

Part No	ST'NS	DIM'N A	DIM'N B
M/54*	1	32	24
DM/54*/T2	2	50	42
DM/54*/T3	3	68	60
DM/54*/T4	4	86	78
DM/54*/T5	5	104	96
DM/54*/T6	6	122	114
DM/54*/T7	7	140	132

* Insert Voltage Codes from page 5.4.015.02