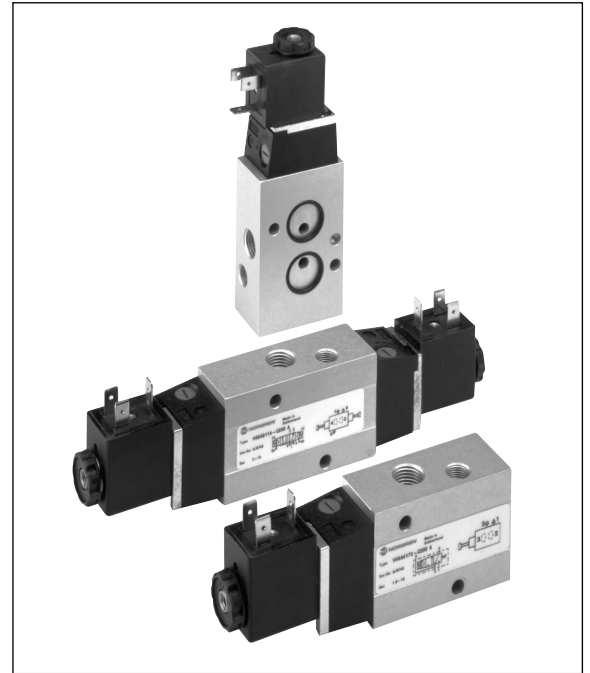



**3/2 and 5/2 Glandless Valves
Solenoid Pilot Actuated
Interface according to
NAMUR recommendation**

- **Non-corrosive glandless spool and sleeve for long trouble free life**
- **Low power and Explosion proof solenoids**
- **Compact and light weight**
- **3/2 version with integrated exhaust of spring chamber**
- **Lockable or Non-lockable manual override option**
- **High flow rate**


Technical Data
Medium:

Compressed air, 40µm filtered, lubricated and non-lubricated.

Operation:

Glandless spool valve, solenoid pilot actuated.

Mounting:

On all actuators with NAMUR interface.

Port Sizes:

G¹/₄ Port 1
G¹/₈ Ports 3 & 5

Operating Pressure:
Maximum Pressure.

6 bar (87 psig) 3/2 models
10 bar (145 psig) 5/2 models

Flow Characteristics:

Function	'C'	'b'	'A'	l/min	Cv	Kv
3/2	2.6	0.17	9.9	620	0.6	0.54
5/2	2.3	0.17	8.7	550	0.6	0.48

Ambient Temperature:

-15°C* to +50°C (5° F* to +122° F)

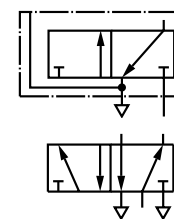
*Consult our Technical Service for use below +2°C (36° F)

Materials:

Anodised aluminium body. Hard anodised, Teflon coated, matched aluminium spool and sleeve. Viton and nitrile rubber seals. POM plastic parts. Zinc plated screws.

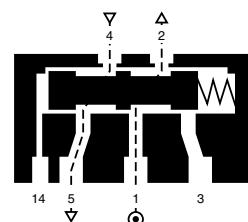
Ordering Information

To order select model number, add voltage code from table below, e.g. V48A517A-C213J for a 5/2 single solenoid valve with shrouded push button lockable manual override and 22 mm coil 24VDC with Industrial Standard connector interface.



3/2
Normally closed

5/2





General Information

3/2 & 5/2 Solenoid Pilot Actuated Valves

Symbol	Model	Manual Override	Pilot Supply	Operator	Return	Operating Pressure bar (psig)	Weight kg (lb.)
	V48A417Y-C2***	Shrouded push button, spring return, lockable	Internal	Solenoid	Spring	1.6–6 (23.2–87)	0.25 (0.55)
	V48A417Y-C3***	Shrouded push button, spring return					0.25 (0.55)
	V48A517A-C2***	Shrouded push button, spring return, lockable	Internal	Solenoid	Spring	1.6–10 (23.2–145)	0.30 (0.66)
	V48A517A-C3***	Shrouded push button, spring return					0.30 (0.66)
	V48A511A-C2***	Shrouded push button, spring return, lockable	Internal	Solenoid	Solenoid	2–10 (29–145)	0.42 (0.93)
	V48A511A-C3***	Shrouded push button, spring return					0.42 (0.93)

***Insert Voltage Code from table below.

*****Voltage Codes and Spare Coils**

Voltage	Code for 22 mm Coil with connector interface acc. to Industrial Standard		Coil Part-no.	Code for 22 mm Coil with connector interface acc. to DIN 43650 table "B"		Coil Part-no.
	Code	Power Inrush/Hold		Code	Power Inrush/Hold	
12 V d.c.	12J	2 W	QM/48/12J/21	12L	2 W	V10626-A12L
24 V d.c.	13J	2 W	QM/48/13J/21	13L	2 W	V10626-A13L
24 V 50/60 Hz	14J	4/2,5 VA	QM/48/14J/21	14L	4/2,5 VA	V10626-A14L
48 V 50/60 Hz	16J	4/2,5 VA	QM/48/16J/21	16L	4/2,5 VA	V10626-A16L
110/120 V 50/60 Hz	18J	4/2,5 VA	QM/48/18J/21	18L	4/2,5 VA	V10626-A18L
220/240 V 50/60 Hz	19J	9/5,0 VA	QM/48/19J/21	19L	9/5,0 VA	V10626-A19L

Other Voltages available on request.

For further technical data on coils see section 5.4.023 or consult our Technical Department. Connector plugs to be ordered separately. For technical data see section 7.7.001.

Electrical Details for Solenoid Operator

Voltage Tolerance	+/- 10%
Rating	100% Continuous Duty
Inlet Orifice	1,0 mm
Electrical connection (corresponding to choosen coil)	Industrial Standard 22 mm width DIN 43650 table "B"
Solenoid Coil	May be rotated at 90° intervals
Protection Class	IP 65 with sealed plug

3/2 & 5/2 Explosion Proof Solenoid Pilot Actuated Valves

Symbol	Model	Manual Override	Pilot Supply	Operator	Return	Operating Pressure bar (psig)	Weight kg (lb.)
	V48A417Y-F2E*K	Shrouded push button, spring return, lockable	Internal	Solenoid	Spring	1.6–6 (23.2–87)	0.56 (1.23)
	V48A417Y-F3E*K	Shrouded push button, spring return					0.56 (1.23)
	V48A517A-F2E*K	Shrouded push button, spring return, lockable	Internal	Solenoid	Spring	1.6–10 (23.2–145)	0.61 (1.35)
	V48A517A-F3E*K	Shrouded push button, spring return					0.61 (1.35)
	V48A511A-F2E*K	Shrouded push button, spring return, lockable	Internal	Solenoid	Solenoid	2–10 (29–145)	1.04 (2.30)
	V48A511A-F3E*K	Shrouded push button, spring return					1.04 (2.30)

*Insert Voltage Code from table below.

***Voltage Codes**

Voltage	Code	Power Inrush/Hold
24 V d.c.	3	5 W
110 V 50/60 Hz	8	4,4 VA
230–240 V 50/60 Hz	9	4,4 VA

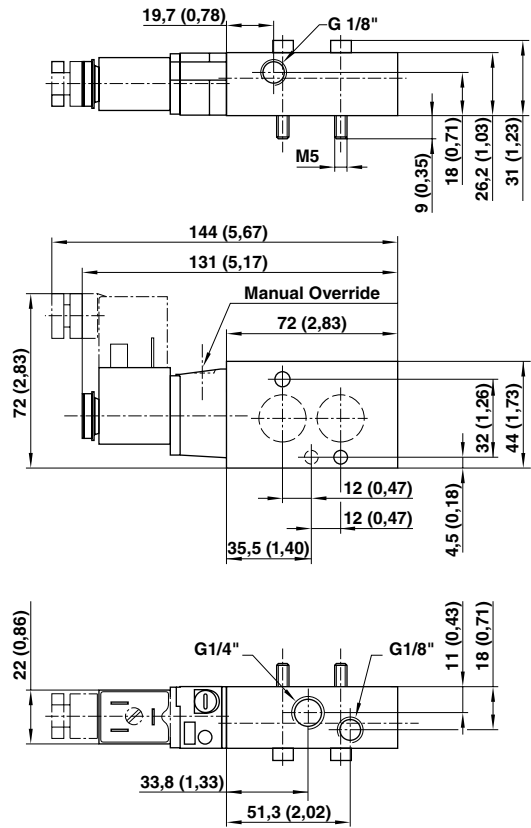
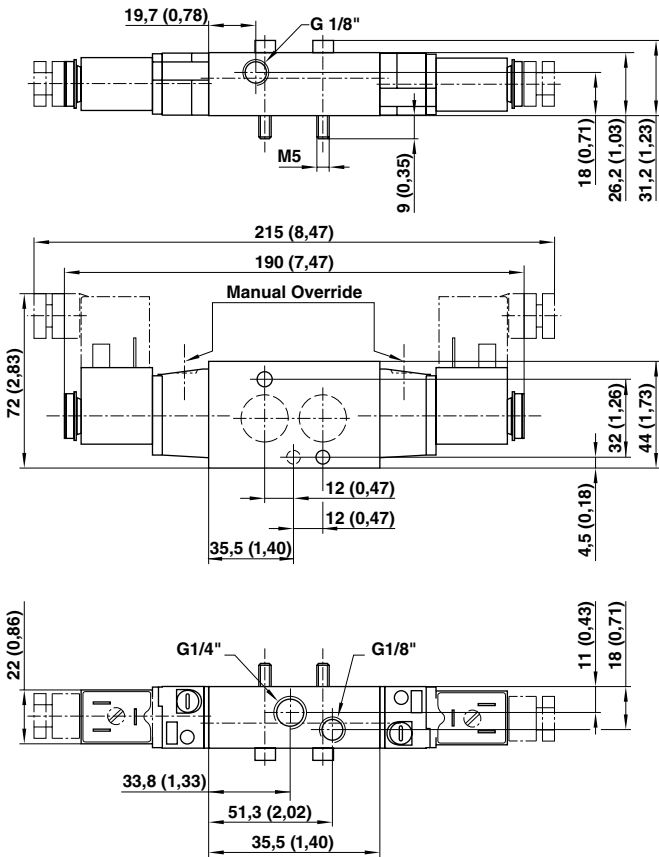
Electrical Details for Explosion Proof Solenoid Operator

Voltage Tolerance	+/- 10%
Conformity	DIN EN 50014 and DIN EN 50028
Rating	100% Continuous Duty
Plug	Encapsulated with 3m long lead
Explosion Protection	EEx m II T4
Class of insulation material	F (DIN VDF 0580)
Protection Class	IP 65 (DIN 40050)



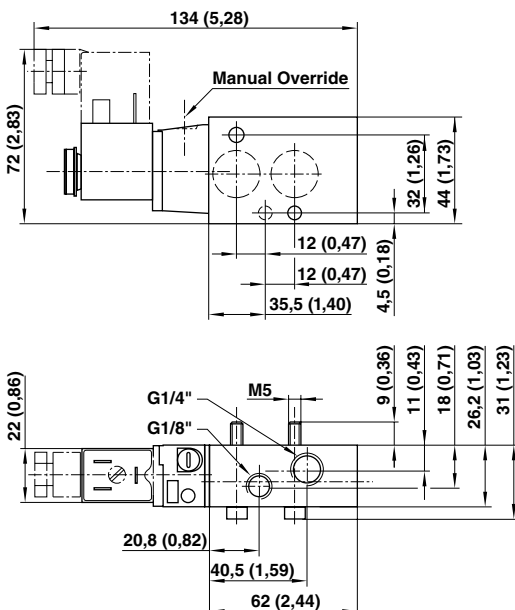
V48A511A-C*1 and
V48A511A-F*E*K**
5/2 Double Solenoid Pilot
Actuated Valves

V48A517A-C*1 and
V48A517A-F*E*K**
5/2 Single Solenoid Pilot
Actuated Valves



All dimensions in mm (inch).

V48A417Y-C*1 and
V48A417Y-F*E*K**
3/2 Solenoid Pilot Actuated
Valves with integral exhaust
of spring chamber

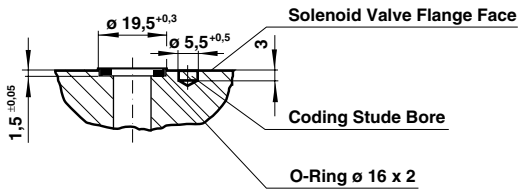
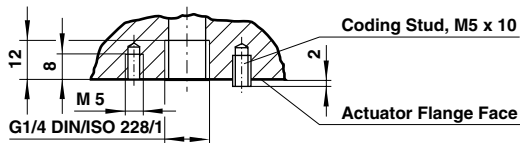
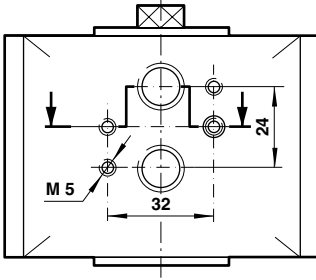


All dimensions in mm (inch).



NAMUR Interface

Acc. to NAMUR recommendation (VDI/VDE 3845)



Warning

These products are intended for use in industrial compressed air systems only. Do not use these products where *pressures* and *temperatures* can exceed those listed under '**Technical Data**'.

Before using these products with fluids other than those specified, for non-industrial applications, life-support systems, or other applications not within published specifications, consult NORGREN.

Through misuse, age, or malfunction, components used in fluid power systems can fail in various modes. The system designer is warned to consider the failure modes of all component parts used in fluid power systems and to provide adequate safeguards to prevent personal injury or damage to equipment in the event of such failure.

System designers must provide a warning to end users in the system instructional manual if protection against a failure mode cannot be adequately provided.

System designers and end users are cautioned to review specific warnings found in instruction sheets packed and shipped with these products.