

- Compact, attractive styling
- High flow
- Steel reinforced spool seals
- In-line ports



## 5/2 and 5/3 Spool Valves Solenoid Actuated G<sup>1</sup>/<sub>2</sub>



### Technical Data

Medium:

Compressed air, filtered, lubricated and non-lubricated

Operation:

Spool valve, indirectly actuated

Mounting:

Through holes in valve body

Port Size:

G<sup>1</sup>/<sub>2</sub>

Operating Pressure:

1 - 10 bar M/20154/22, M/20154/23, M/20154/123

0 - 930 mbar vacuum M/20154/22, M/20154/23

2,5 - 10 bar M/20154/172

2,8 - 10 bar M/20154/6123, M/20254/6123

Flow (to CETOP RP50P):

Conductance dm<sup>3</sup>/s/bar 13,28

Critical pressure ratio 0,44

Cv 3,69

Operating Temperature:

+5°C to +50°C

### Materials

Aluminium valve body and spool, nitrile rubber seals

### Ordering Information

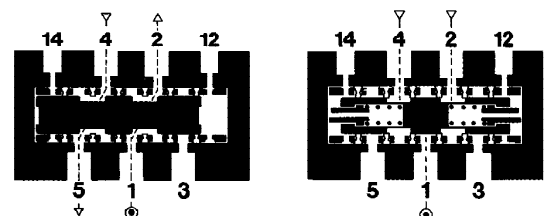
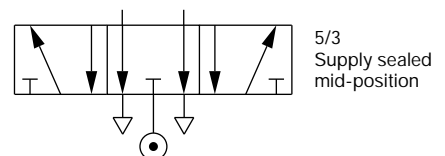
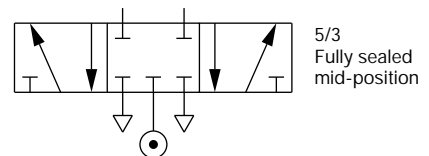
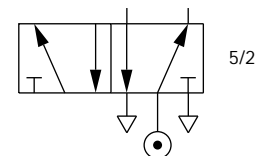
To order, quote model number followed by voltage code from table overleaf, e.g. M/20154/22/136 for a Solenoid Pilot Actuated, Spring Return model with an independent pilot supply and suitable for an electrical supply of 42-48V 50Hz.

### Alternative Models

Other operator types for the M/20154 range of valves are also available:

Section 5.5 - Pressure operated models

Section 5.7 - Manually operated models





## General Information

Model	Solenoid Pilot	Operator	Mid-position	Return	Weight (kg)	Spares kit
M/20154/22	Independent	Solenoid	-	Spring	1,25	QM/20152/22/D/00
M/20154/23	Independent	Solenoid	-	Solenoid	1,23	QM/20152/23/D/00
M/20154/172	Integral	Solenoid	-	Spring and air	1,12	QM/20152/172/D/00
M/20154/123	Integral	Solenoid	-	Solenoid	1,23	QM/20152/23/D/00
M/20154/6123	Integral	Solenoid	All sealed	Solenoid	1,23	QM/20152/23/D/00
M/20254/6123	Integral	Solenoid	Supply sealed	Solenoid	1,23	QM/20152/23/D/00

## Electrical Details for Solenoid Operators

Voltage	Codes
12 V d.c.	160
24 V d.c. (low power)	173
24 V d.c.	127
24 V 50/60Hz	164
48 V 50/60Hz	165
110/120 V 50/60Hz	166
220/240 V 50/60Hz	167

<b>Voltage Tolerances:</b>	d.c.: +10/-15% a.c.: +10/-15%
<b>Power:</b>	d.c.: 2 W (low power - 0,5 W on 24 V)
<b>Inrush/Hold:</b>	a.c.: 4/2,5 VA (9/5 VA on 220/240 V) 100% E.D.
<b>Inlet Orifice:</b>	1,0 mm
<b>Exhaust Orifice:</b>	2,0 mm 1,1 mm (low power)
<b>Terminal Box:</b>	3 pin plug with cable grip (DIN 43650 Form B) May be rotated 180°
<b>Cable Entry:</b>	Pg9
<b>Solenoid Coil:</b>	May be rotated at 90° intervals
<b>Manual Override:</b>	Standard, turn 180° anti-clockwise to operate, turn clockwise to return
<b>Protection Class:</b>	IP65 (DIN 40050)

## Warning

These products are intended for use in industrial compressed air systems only. Do not use these products where *pressures* and *temperatures* can exceed those listed under 'Technical Data'.

Before using these products with fluids other than those specified, for non-industrial applications, life-support systems, or other applications not within published specifications, consult NORGREN MARTONAIR.

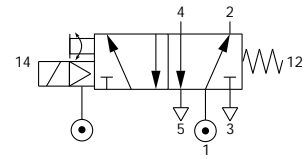
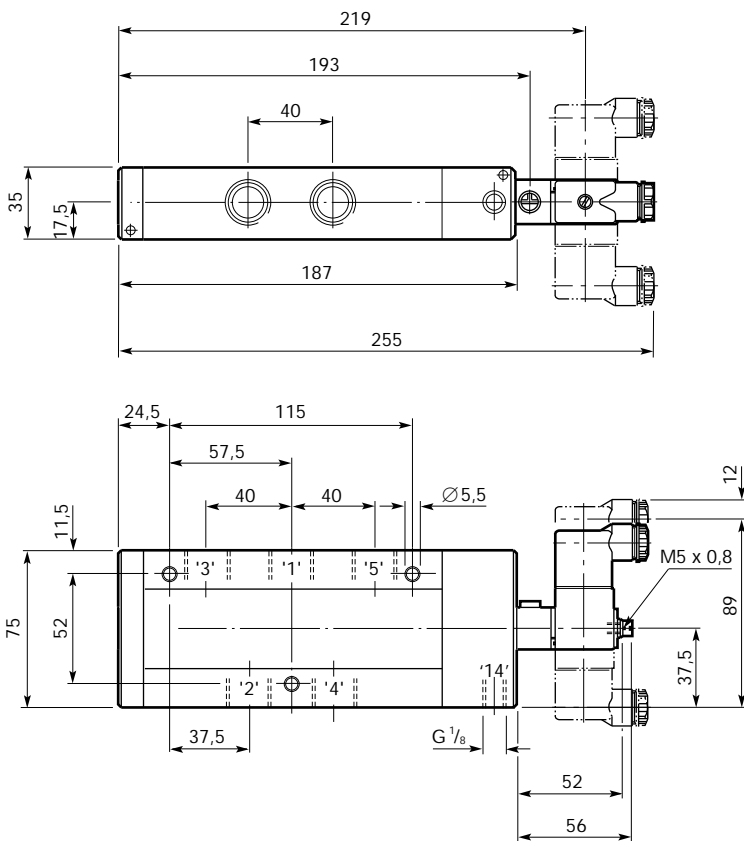
Through misuse, age, or malfunction, components used in fluid power systems can fail in various modes. The system designer is warned to consider the failure modes of all component parts used in fluid power systems and to provide adequate safeguards to prevent personal injury or damage to equipment in the event of such failure.

**System designers must provide a warning to end users in the system instructional manual if protection against a failure mode cannot be adequately provided.**

System designers and end users are cautioned to review specific warnings found in instruction sheets packed and shipped with these products.



### Solenoid Pilot Actuated, Spring Return



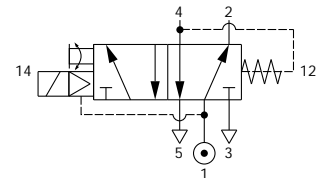
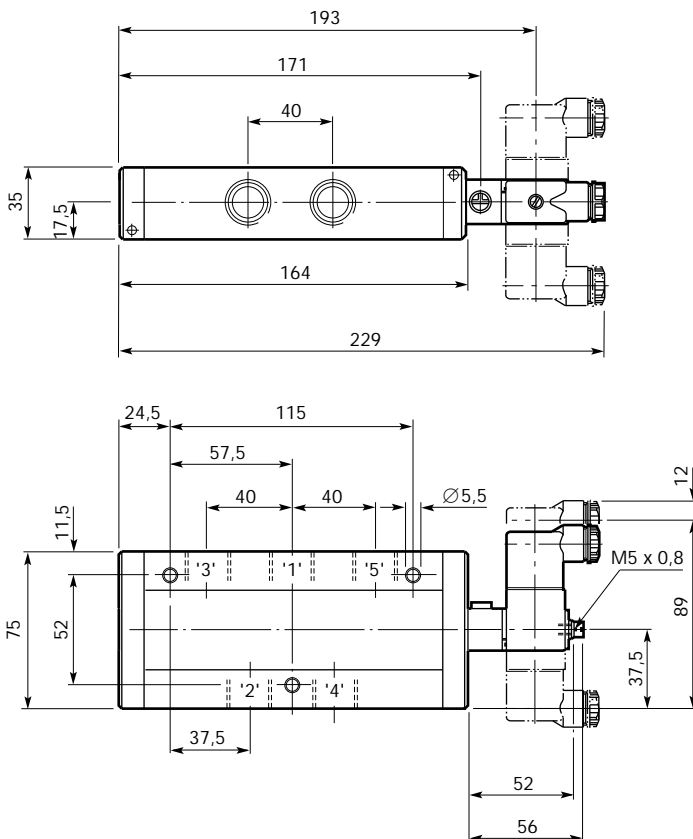
Model Number: **M/20154/22**

Type: 5/2

Independent Pilot Supply

Pilot Pressure: 1,8 + (0,1 x supply pressure) bar

### Solenoid Pilot Actuated, Spring and Air Return



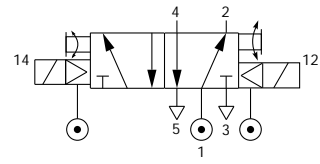
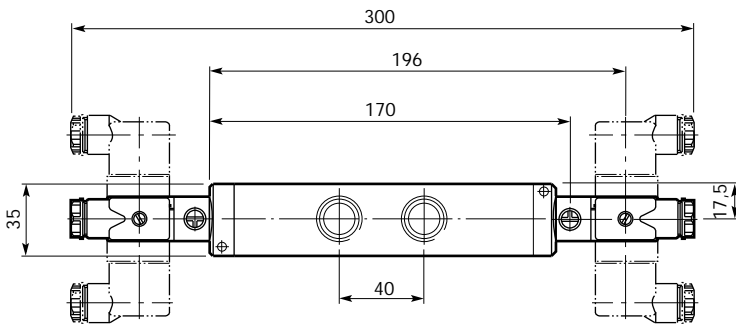
Model Number: **M/20154/172**

Type: 5/2

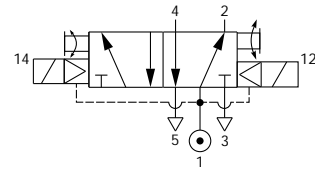
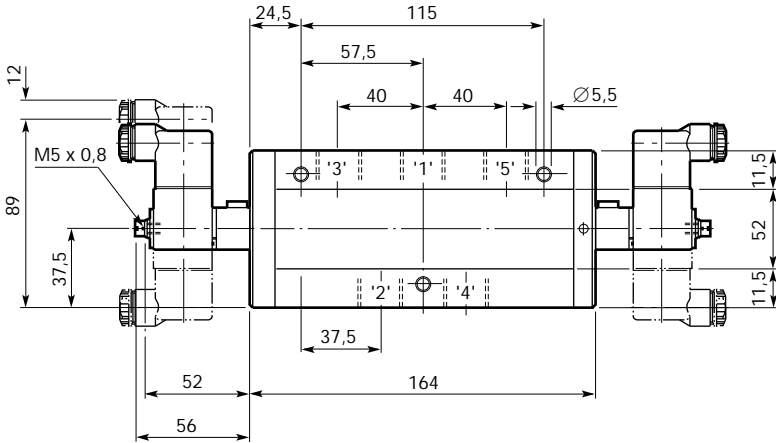
Integral Pilot Supply



### Solenoid Pilot Set, Solenoid Pilot Reset

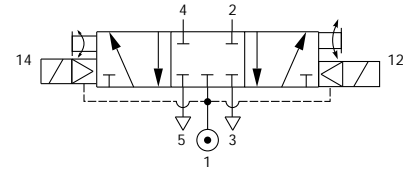
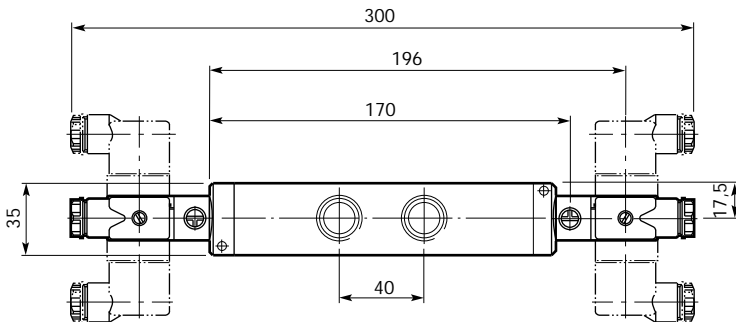


Model Number: **M/20154/23**  
Type: 5/2  
Independent Pilot Supply  
Pilot Pressure: 1,5 bar minimum

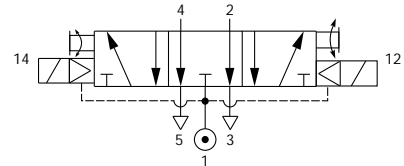
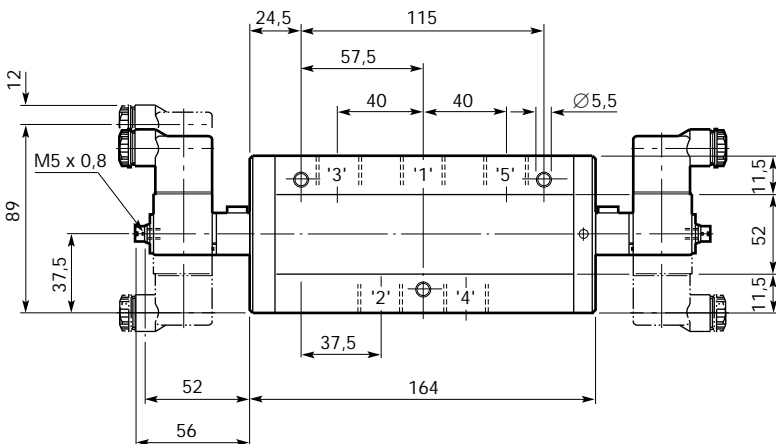


Model Number: **M/20154/123**  
Type: 5/2  
Integral Pilot Supply

### Spring Centralised Solenoid Pilot Actuated



Model Number: **M/20154/6123**  
Type: 5/3 Fully sealed in mid-position  
Integral Pilot Supply



Model Number: **M/20254/6123**  
Type: 5/3 Supply sealed in mid-position  
Integral Pilot Supply