

- High flow with compact size
- Simple, rugged construction with in-line ports
- Suitable for hydraulic use

**2/2 Poppet Valves
Pressure Actuated
G^{3/8}**



Technical Data

Medium:

Compressed air, filtered, lubricated, non-lubricated or hydraulic fluid

Operation:

Poppet valve, directly actuated

Mounting:

Through-holes in valve body

Port Size:

G^{3/8}

Operating Pressure:

0 - 7 bar pneumatic or hydraulic

0 - 10 bar pneumatic if port connections reversed

Flow (to CETOP RP50P):

'C' - Conductance dm³/s/bar 13

'b' - Critical pressure ratio 0,3

Cv 2,7

Operating Temperature:

-20°C* to +80°C

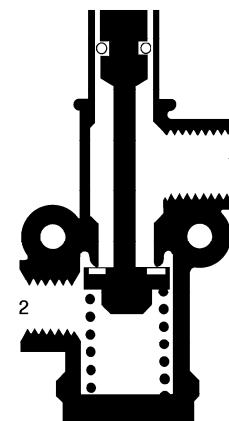
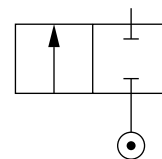
*Consult our Technical Service for use below +2°C

Alternative Models

Other operator types for the S/534 range of valves are also available:

Section 5.6. - Mechanically actuated models

Section 5.7. - Manually operated models



Materials

Brass body and end covers, nitrile rubber seals.

Ordering Information

To order, quote model number from tables overleaf, i.e. S/534/40.



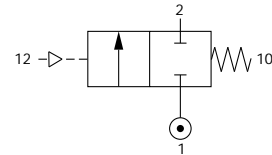
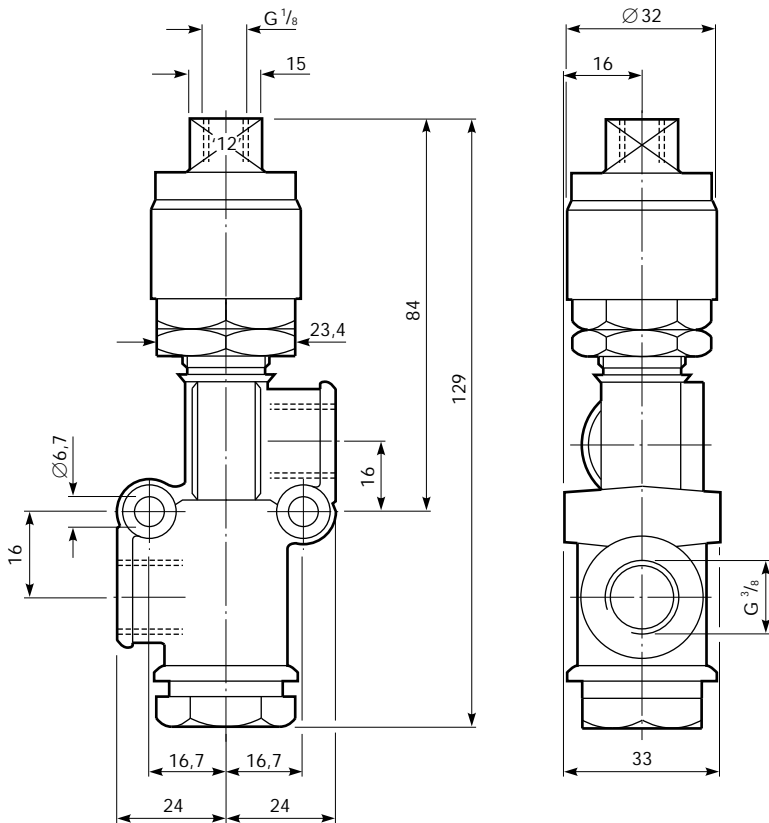
General Information

Model	Operator	Return	Weight (kg)	Spares kit
S/534/40	Pressure	Spring	0,46	QS/534/40/00

Warning

These products are intended for use in industrial compressed air systems only. Do not use these products where pressures and temperatures can exceed those listed under 'Technical Data'. Before using these products with fluids other than those specified, for non-industrial applications, life-support systems, or other applications not within published specifications, consult NORGREN. Through misuse, age, or malfunction, components used in fluid power systems can fail in various modes. The system designer is warned to consider the failure modes of all component parts used in fluid power systems and to provide adequate safeguards to prevent personal injury or damage to equipment in the event of such failure. **System designers must provide a warning to end users in the system instructional manual if protection against a failure mode cannot be adequately provided.** System designers and end users are cautioned to review specific warnings found in instruction sheets packed and shipped with these products.

Pressure Actuated, Spring Return



Model Number: **S/534/40**
 Type: 2/2
 Pilot Supply: 2,8 + (0,45 x supply pressure) bar
Note: When used with hydraulic supplies the port connections should be reversed.