

- Light, compact body
- Very low pilot pressure
- Air bleed principle
- Exhaust port protected by filter disc



### 3/2 Poppet Valves Pressure Actuated G<sup>1</sup>/<sub>8</sub>



#### Technical Data

Medium:

Compressed air, filtered, lubricated and non-lubricated

Operation:

Poppet valve, bleed actuated

Mounting:

Integral bracket

Port Size:

G<sup>1</sup>/<sub>8</sub>

Operating Pressure:

3 - 10 bar

Flow (to CETOP RP50P):

'C' - Conductance dm<sup>3</sup>/s/bar 0,44

'b' - Critical pressure ratio 0,53

Cv 0,13

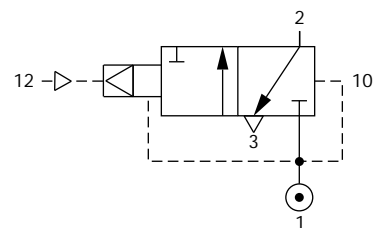
Operating Temperature:

+5°C to +80°C

#### Alternative Models

Other operator types for the M/21 range of valves are also available:

Section 5.6. - Mechanically operated models

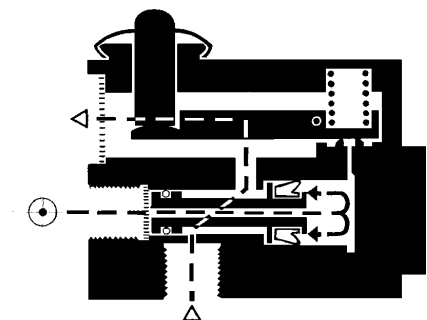


#### Materials

Diecast zinc alloy body, steel piston, nitrile rubber seals.

#### Ordering Information

To order, quote model number M/21/342





## General Information

Model	Type	Operator	Return	Weight (kg)	Spares kit
M/21/342	Normally closed	Pressure, bleed	Air	0,65	QM/21/342/00

## Warning

These products are intended for use in industrial compressed air systems only. Do not use these products where *pressures* and *temperatures* can exceed those listed under 'Technical Data'.

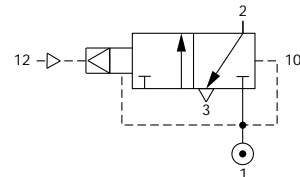
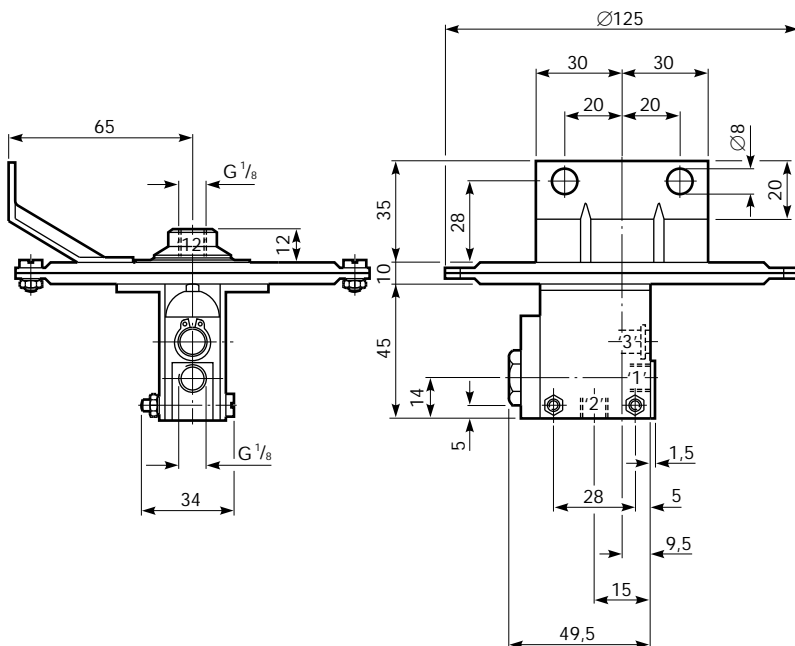
Before using these products with fluids other than those specified, for non-industrial applications, life-support systems, or other applications not within published specifications, consult NORGREN MARTONAIR.

Through misuse, age, or malfunction, components used in fluid power systems can fail in various modes. The system designer is warned to consider the failure modes of all component parts used in fluid power systems and to provide adequate safeguards to prevent personal injury or damage to equipment in the event of such failure.

**System designers must provide a warning to end users in the system instructional manual if protection against a failure mode cannot be adequately provided.**

System designers and end users are cautioned to review specific warnings found in instruction sheets packed and shipped with these products.

## Pressure (diaphragm) Pilot Pressure Release Actuated, Air Return



Model Number: **M/21/342**

Type: 3/2 with open exhaust

Pilot Pressure: 0,0025 - 0,3 bar