

- Very compact trip and detector valves
- Robust for their size
- In-line mounting
- Ideal for the pilot operation of larger directional control valves


**2/2 Poppet Valves
Mechanically Actuated
M5**

Technical Data

Medium:

Compressed air, filtered, lubricated and non-lubricated

Operation:

Poppet valve, directly actuated

Mounting:

Through holes in valve body

Port Size:

M5

Operating Pressure:

0 - 10 bar

Flow (to CETOP RP50P):

'C' - Conductance $\text{dm}^3/\text{s}/\text{bar}$ 0,4

'b' - Critical pressure ratio 0,34

Cv 0,07

Operating Temperature:

0°C* to +70°C

*Consult our Technical Service for use below +2°C

Materials

Diecast zinc alloy body, brass plunger, steel lever, acetal roller, aluminium ball housing, stainless steel ball and spring, nitrile rubber seals.

Ordering Information

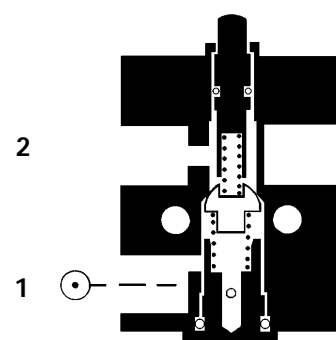
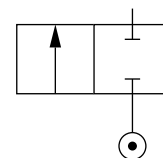
To order a complete valve, quote model number from table overleaf, e.g. 06 0116 00 for the Roller Actuated, Spring Return model. The basic body, plunger and ball type operating heads can also be ordered separately, quote model numbers overleaf.

Alternative Models

Other operator types for the 06 Series are also available:

Section 5.5. - Pressure operated models

Section 5.7. - Manually operated models





General Information

Model	Type	Operator	Return	Weight (kg)	Spares kit
06 0101 00	Normally closed	Plunger	Spring	0,06	Not available
06 0104 00	Normally closed	Ball	Spring	0,07	Not available
06 0116 00	Normally closed	Roller	Spring	0,07	Not available
06 0117 00	Normally closed	One-way Trip	Spring	0,08	Not available

Warning

These products are intended for use in industrial compressed air systems only. Do not use these products where pressures and temperatures can exceed those listed under 'Technical Data'.

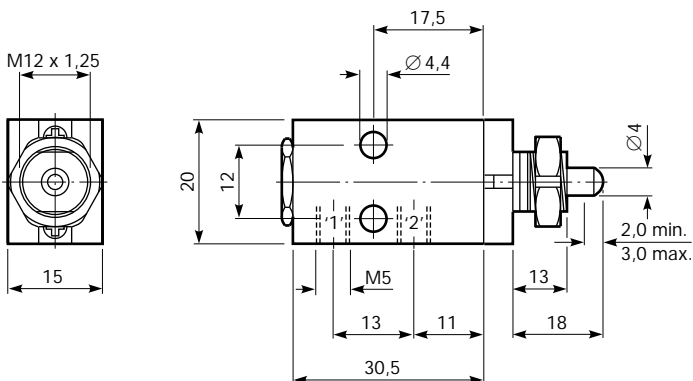
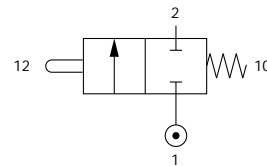
Before using these products with fluids other than those specified, for non-industrial applications, life-support systems, or other applications not within published specifications, consult NORGREN MARTONAIR.

Through misuse, age, or malfunction, components used in fluid power systems can fail in various modes. The system designer is warned to consider the failure modes of all component parts used in fluid power systems and to provide adequate safeguards to prevent personal injury or damage to equipment in the event of such failure.

System designers must provide a warning to end users in the system instructional manual if protection against a failure mode cannot be adequately provided.

System designers and end users are cautioned to review specific warnings found in instruction sheets packed and shipped with these products.

Plunger Actuated, Spring Return



Model Number: **06 0101 00**

Type: 2/2

Operating Force: 18 N @ 5,5 bar

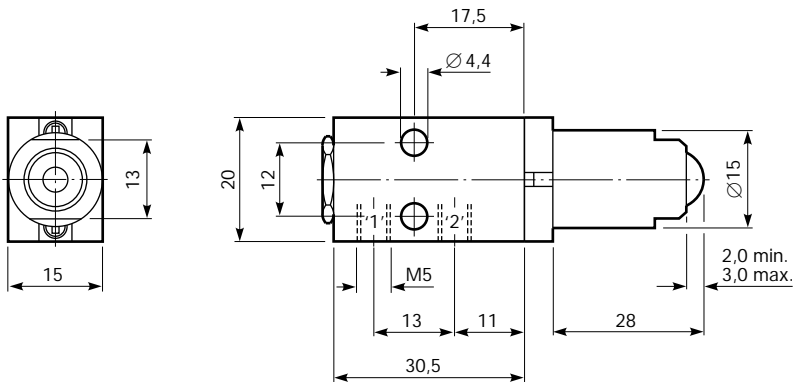
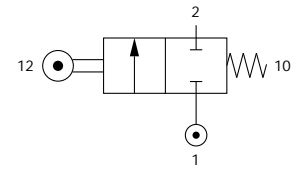
Basic Body: **06 0100 00**

Operating Head: **06 0001 00**

When fitting the operating head to the basic body, omit the face seal.



Ball, Spring Return



Model Number: **06 0104 00**

Type: 2/2

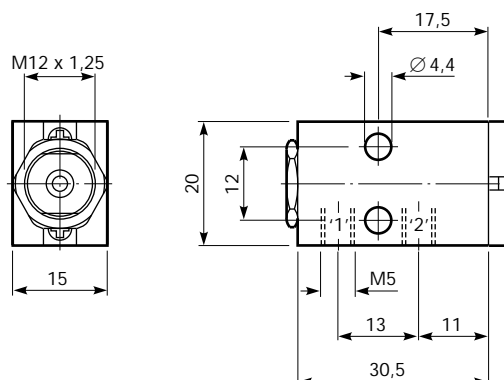
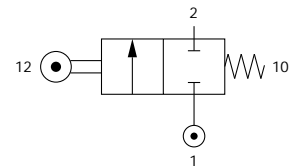
Operating Force: 18 N @ 5,5 bar

Basic Body: **06 0100 00**

Operating Head: **06 0004 00**

When fitting the operating head to the basic body, omit the face seal.

Roller Actuated, Spring Return



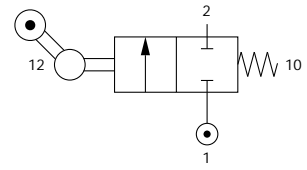
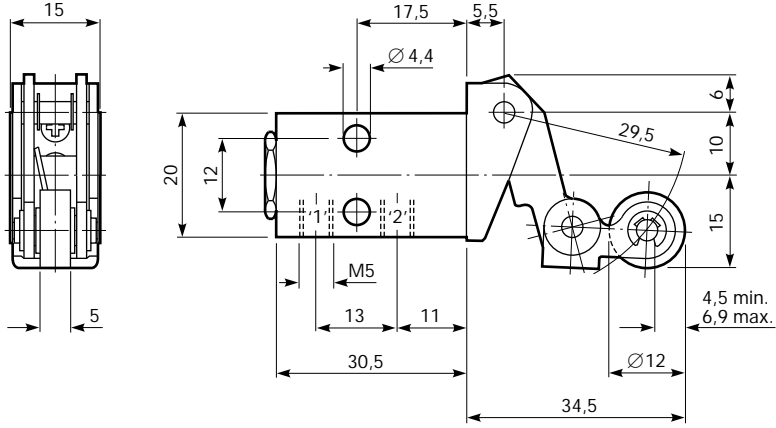
Model Number: **06 0116 00**

Type: 2/2

Operating Force: 18 N @ 5,5 bar



One-way Trip Actuated, Spring Return



Model Number: **06 0117 00**

Type: 2/2

Operating Force: 18 N @ 5,5 bar