



**4/2 and 4/3 Plate valves
Manually Actuated
G^{1/4}, G^{1/2}**

- **Unique rotary plate construction**
- **Suitable for panel or flat surface mounting**
- **Latching models available**
- **Variable flow control**
- **Side ported and bottom ported sub-bases available**



Technical Data

Medium:

Compressed air, filtered lubricated and non-lubricated

Operation:

Plate valve, directly operated

Mounting:

Threaded holes in sub-base

Port Size:

G^{1/4}, G^{1/2}

Operating Pressure:

0,7 - 10 bar

Flow Characteristics:

	'C'	'A'	l/min	Cv	Kv
M/805, BM/805	4,48	4,52	1083,5	1.1	0,955
M/806, BM/806	12,24	48,9	2955	3	2,607

Operating Temperature:

-20°C* to +80°C

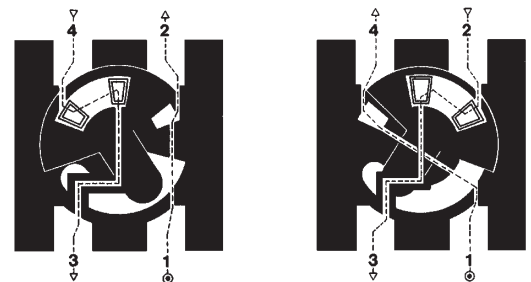
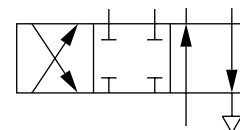
*Consult our Technical Service for use below +2°C

Materials:

Aluminium alloy sub-base, zinc alloy body, aluminium operators, nitrile rubber seals.

Ordering Information

To order, quote model number from table overleaf, e.g. M/805/387 for the Three Position Rotary Knob Operated model with a side ported sub-base. Valves are supplied complete with sub-base.

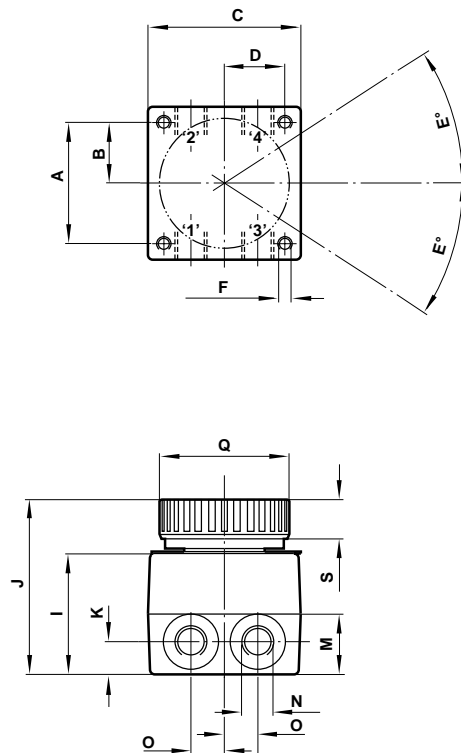
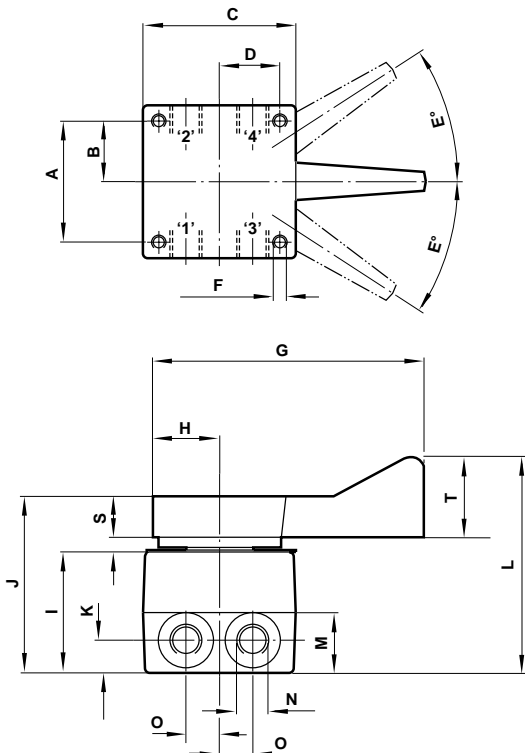




	M/805/107	M/805/187	M/805/387	M/805/487	M/806/107	M/806/187	M/806/487	BM/805/107	BM/805/187	BM/805/387	BM/805/487	BM/806/107	BM/806/187	BM/806/487
A	44	44	44	44	66	66	66	44,0	44,0	44,0	44,0	66,0	66,0	66,0
B	22	22	22	22	33	33	33	22,0	22,0	22,0	22,0	33,0	33,0	33,0
C	55,6	55,6	55,6	55,6	81	81	81	55,6	55,6	55,6	55,6	82,0	82,0	82,0
D	22	22	22	22	33	33	33	22,0	22,0	22,0	22,0	33,0	33,0	33,0
E	33	33	33	33	32	32	32	33,0	33,0	33,0	33,0	32,0	32,0	32,0
F	M5 x 8	M5 x 8	M5 x 8	M5 x 8	M6 x 12	M6 x 12	M6 x 12	M5 x 8	M5 x 8	M5 x 8	M5 x 8	M6 x 12	M6 x 12	M6 x 12
G	103	103	-	103	140	140	140	103	103	-	103	140	140	140
H	24	24	24	24	35	35	35	24	24	24	24	35	35	35
I	43,6	43,6	43,6	43,6	70	70	70	45	45	45	45	71,5	71,5	71,5
J	64	64	64	70,0	96,5	96,5	96,5	71,0	71,0	71,0	71,0	101,5	101,5	101,5
K	12	12	12	12	21,0	21,0	21,0	-	-	-	-	-	-	-
L	78	78	-	98,5	148	148	151	79,0	79,0	-	100	148	148	151,5
M	23	23	23	23	38,5	38,5	38,5	24,0	24,0	24,0	24,0	40	40	40
N	G ¹ / ₄	G ¹ / ₄	G ¹ / ₄	G ¹ / ₄	G ¹ / ₂	G ¹ / ₂	G ¹ / ₂	G ¹ / ₄	G ¹ / ₄	G ¹ / ₄	G ¹ / ₄	G ¹ / ₂	G ¹ / ₂	G ¹ / ₂
O	12	12	12	12	18	18	18	-	-	-	-	25,0	25,0	25,0
P	-	-	-	-	-	-	-	56	56	56	-	-	-	-
Q	-	-	48	-	-	-	-	-	-	48	-	-	-	-
R	-	-	-	-	-	-	-	62	62	62	-	-	-	-
S	14	14	14	14	19	19	19	14	14	-	14	19	19	19
T	28,5	28,5	-	28,5	29	29	29	28,5	28,5	-	28,5	29	29	29
V	-	-	-	-	-	-	-	36,5	36,5	36,5	36,5	-	-	-
W	-	-	-	-	-	-	-	16,7	16,7	16,7	16,7	-	-	-
X	-	-	-	-	-	-	-	33,3	33,3	33,3	33,3	-	-	-
Y	-	-	-	-	-	-	-	16,7	16,7	16,7	16,7	-	-	-
Z	-	-	-	-	-	-	-	2,8	2,8	2,8	2,8	-	-	-

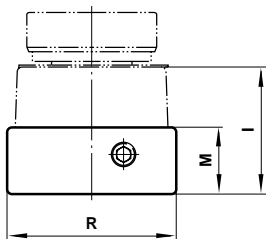
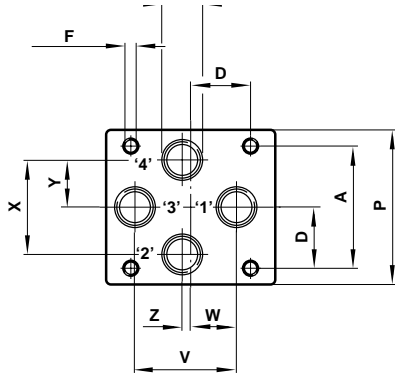
M/805/107, M/805/187, M/805/487, M/806/107, M/806/187 and M/806/487 Rotary Lever Valves

M/805/387 Three Position Rotary Knob Control

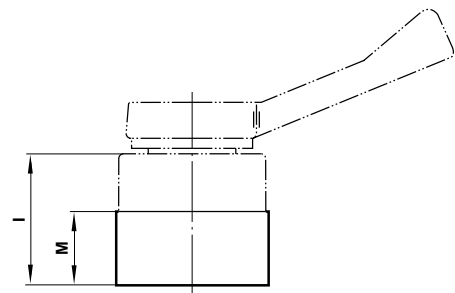
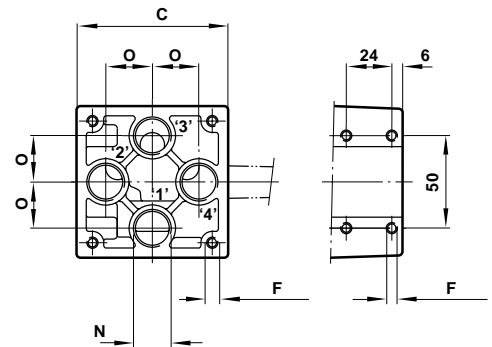




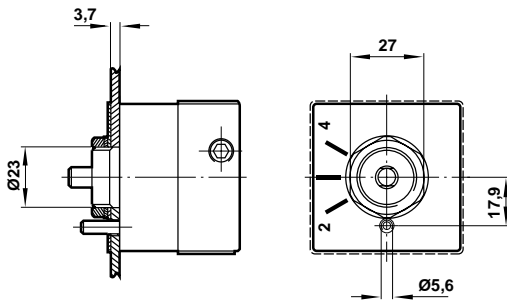
BM/805/107, BM/805/187, BM/805/487 and BM/805/387 Models
Bottom Ported Sub-base for M/805 and M/806 Valves



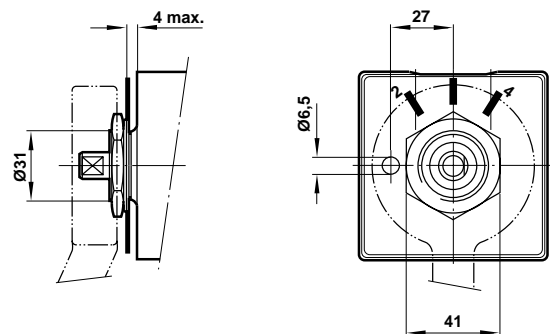
BM/806/107, BM/806/487, PBM/806/487 Models
Bottom Ported Sub-base for M/805 and M/806 Valves



Panel Mounting M/805 Model



Panel Mounting M/806 Model



Warning

These products are intended for use in industrial compressed air systems only. Do not use these products where *pressures* and *temperatures* can exceed those listed under 'Technical Data'.

Before using these products with fluids other than those specified, for non-industrial applications, life-support systems, or other applications not within published specifications, consult Norgren.

Through misuse, age, or malfunction, components used in fluid power systems can fail in various modes. The system designer is warned to consider the failure modes of all component parts used in fluid power systems and to provide adequate safeguards to prevent personal injury or damage to equipment in the event of such failure.

System designers must provide a warning to end users in the system instructional manual if protection against a failure mode cannot be adequately provided.

System designers and end users are cautioned to review specific warnings found in instruction sheets packed and shipped with these products.