

**M/2720**
G1/8

- Meets the requirements of EN574 1996 Class 111B
- Declaration of conformity issued with every unit
- Both hands must be engaged simultaneously
- Protection against accidental operation
- No setting or adjustment required

**Technical Data**

Medium:

Compressed air filtered to 40µm for lubricated or non-lubricated operation.

Operating pressure:

3-8 bar

Ambient Temperature:

+5 to +40°C

Port Size:

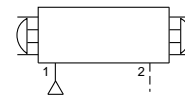
G1/8

Materials:

Outer cover and end plates aluminium alloy, buttons co-polymer and seals nitrile rubber.

Ordering Information

To order quote part no. M/2720.

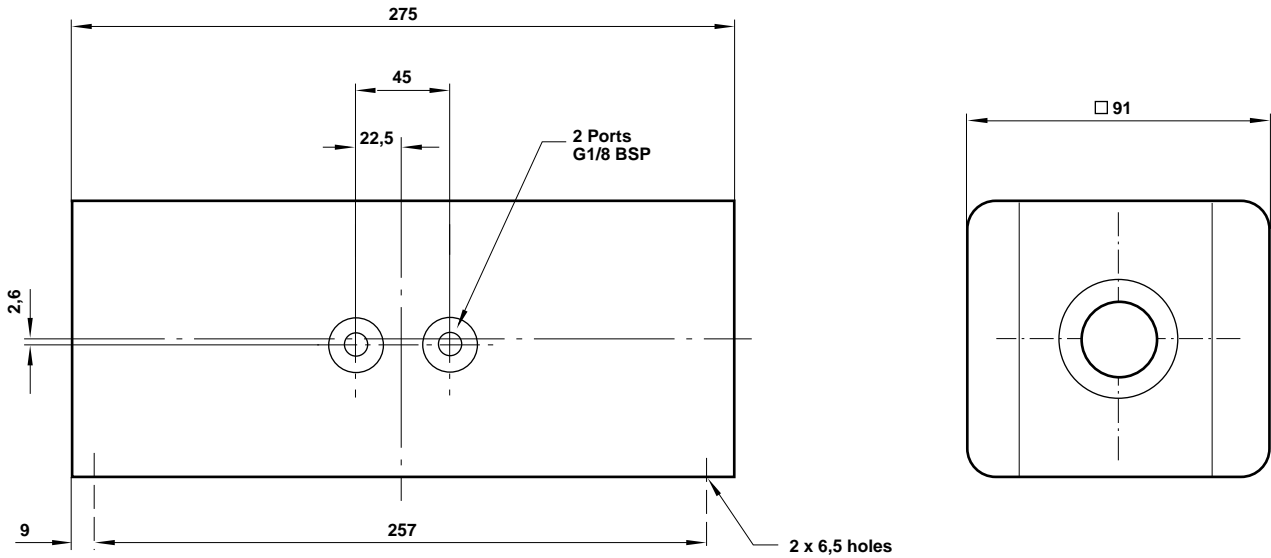




General Information

Symbol	Model	Operation	Return	Weight
	M/2720	2 x Shrouded buttons	Spring/self reset	1.8 Kg

Dimensions



Dimensionally interchangeable with the M/2710

Warning

These products are intended for use in industrial compressed air systems only. Do not use these products where pressures and temperatures can exceed those listed under 'Technical Data'.

Before using these products with fluids other than those specified, for non-industrial applications, life-support systems, or other applications not within published specifications, consult Norgren.

Through misuse, age, or malfunction, components used in fluid power systems can fail in various modes. The system designer is warned to consider the failure modes of all component parts used in fluid power systems and to provide adequate safeguards to prevent personal injury or damage to equipment in the event of such failure.

System designers must provide a warning to end users in the system instructional manual if protection against a failure mode cannot be adequately provided.

System designers and end users are cautioned to review specific warnings found in instruction sheets packed and shipped with these products where applicable.