

- High flow with compact size
- Simple, rugged construction with in-line ports
- Suitable for hydraulic use



## 2/2 Poppet Valves Manually Actuated G<sup>3</sup>/<sub>8</sub>



### Technical Data

#### Medium:

Compressed air, filtered, lubricated, non-lubricated or hydraulic fluid

#### Operation:

Poppet valve, directly actuated

#### Mounting:

Through-holes in valve body

#### Port Size:

G<sup>3</sup>/<sub>8</sub>

#### Operating Pressure:

0 - 7 bar pneumatic or hydraulic  
0 - 10 bar pneumatic if port connections reversed

#### Flow (to CETOP RP50P):

'C' - Conductance dm<sup>3</sup>/s/bar 13  
'b' - Critical pressure ratio 0,3  
Cv 2,7

#### Operating Temperature:

-20°C\* to +80°C

\* Consult our Technical Service for use below +2°C

### Materials

Brass body and end covers, nitrile rubber seals.

### Ordering Information

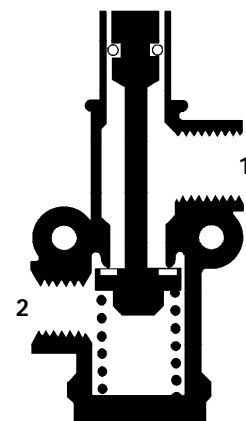
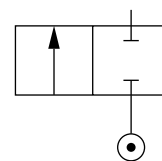
To order, quote model number from tables overleaf, i.e. S/534/1.

### Alternative Models

Other operator types for the S/534 range of valves are also available:

Section 5.5. - Pressure actuated models

Section 5.6. - Mechanically actuated models





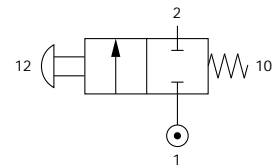
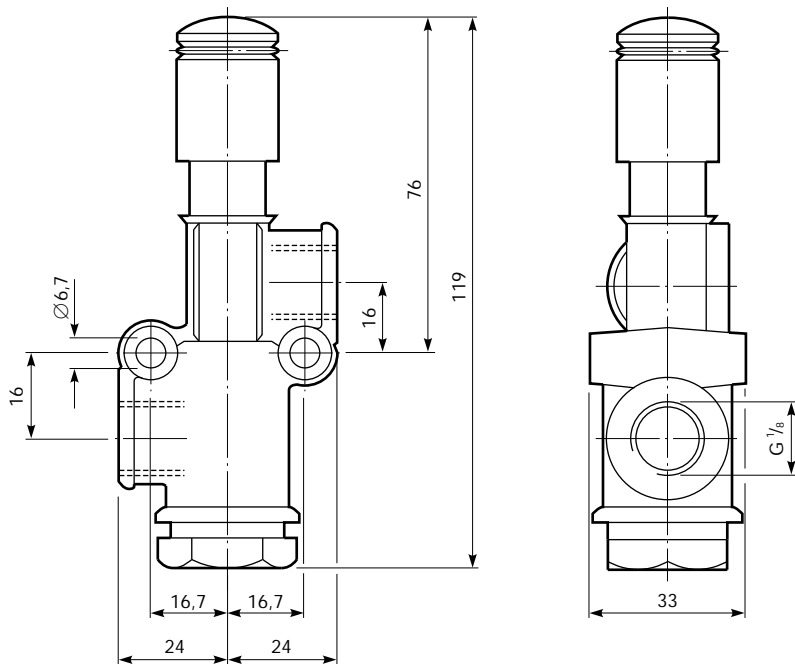
### General Information

Model	Operator	Return	Weight (kg)	Spares kit
S/534/1	Button	Spring	0,39	QS/534/1/00

### Warning

These products are intended for use in industrial compressed air systems only. Do not use these products where *pressures* and *temperatures* can exceed those listed under **Technical Data**.  
 Before using these products with fluids other than those specified, for non-industrial applications, life-support systems, or other applications not within published specifications, consult NORGREN MARTONAIR.  
 Through misuse, age, or malfunction, components used in fluid power systems can fail in various modes. The system designer is warned to consider the failure modes of all component parts used in fluid power systems and to provide adequate safeguards to prevent personal injury or damage to equipment in the event of such failure.  
**System designers must provide a warning to end users in the system instructional manual if protection against a failure mode cannot be adequately provided.**  
 System designers and end users are cautioned to review specific warnings found in instruction sheets packed and shipped with these products.

### Button Operated, Spring Return



Model Number: **S/534/1**  
 Type: 2/2  
 Operating Force: 110 N + 16 N per bar supply pressure  
**Note:** When used with hydraulic supplies the port connections should be reversed.