

**3/2 Poppet Valves
Manually Operated
M5**


- Interchangeable, electrical style, manual operators
- Robust for their size
- Panel or in-line mounting
- Ideal for the pilot operation of larger directional control valves

Technical Data

Medium:

Compressed air, filtered, lubricated and non-lubricated

Operation:

Poppet valve, directly actuated

Mounting:

Panel mounting or through holes in valve body

Port Size:

M5

Operating Pressure:

0 - 10 bar

Flow to (CETOP RP50P):

'C' - Conductance $\text{dm}^3/\text{s}/\text{bar}$ 0,4

'b' - Critical pressure ratio 0,34

Cv 0,07

Operating Temperature:

0°C* to +70°C

*Consult our Technical Service for use below +2°C


Alternative Models

Other operator types for the 06 Series are also available:

Section 5.5. - Pressure operated models

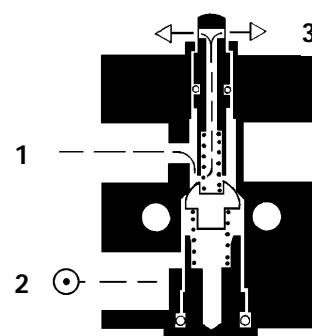
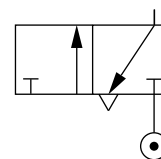
Section 5.6. - Mechanically operated models

Materials

Diecast zinc alloy body, brass plunger, polycarbonate adaptor, plastic housing and operator (electrical style), brass push button, Nylatron lever, stainless steel spring, nitrile rubber seals.

Ordering Information

To order a complete valve, quote model number from table overleaf, e.g. 06 0203 00 for the Lever Set-reset model. For valves with electrical style operators the basic body and operating head are ordered separately, quote 06 0218 00 together with the reference for the required operator from the table overleaf, e.g. M/P34844 for the Emergency Stop operator with a Twist Button reset.





General Information

Model	Type	Operator	Return	Weight (kg)	Spares kit
06 0202 00	Normally closed	Button	Spring	0,08	Not available
06 0203 00	Normally closed	Lever	Lever	0,07	Not available
06 0218 00	Normally closed	*Adaptor	Spring	0,05	Not available

*Valve body with compact electrical style adaptor. Order operators from table below.

Reference	Type	Colour	Operator	Return	Weight (kg)
M/P34840/R	Momentary action	Red	Button	Spring	0,015
M/P34840/G	Momentary action	Green	Button	Spring	0,015
M/P34840/N	Momentary action	Black	Button	Spring	0,015
M/P34841/R	Momentary action	Red	Button, Shrouded	Spring	0,014
M/P34841/G	Momentary action	Green	Button, Shrouded	Spring	0,014
M/P34841/N	Momentary action	Black	Button, Shrouded	Spring	0,014
M/P34842/R	Momentary action	Red	Button, Palm	Spring	0,019
M/P34842/G	Momentary action	Green	Button, Palm	Spring	0,019
M/P34842/N	Momentary action	Black	Button, Palm	Spring	0,019
M/P34844	Maintained action	Red	Emergency Stop	Twist Button	0,046
M/P34862	Maintained action	Red	Emergency Stop	Key	0,085
M/P34846	Maintained action	-	Lever	Lever	0,02
M/P34843	Maintained action	-	Knob, Rotary	Knob, Rotary	0,026
M/P34845	Maintained action	-	Key	Key	0,110

Warning

These products are intended for use in industrial compressed air systems only. Do not use these products where *pressures* and *temperatures* can exceed those listed under 'Technical Data'.

Before using these products with fluids other than those specified, for non-industrial applications, life-support systems, or other applications not within published specifications, consult NORGREN MARTONAIR.

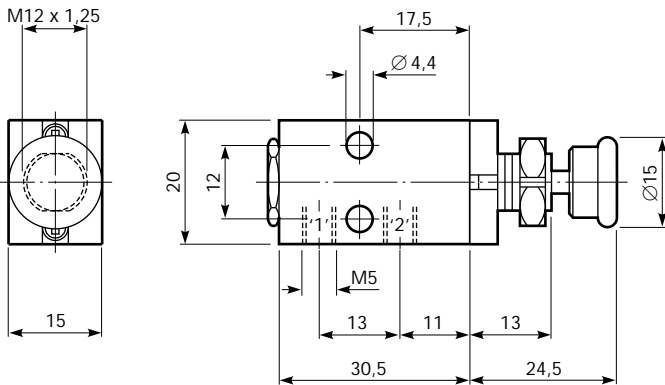
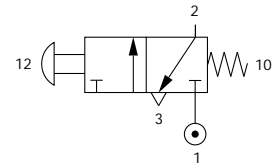
Through misuse, age, or malfunction, components used in fluid power systems can fail in various modes. The system designer is warned to consider the failure modes of all component parts used in fluid power systems and to provide adequate safeguards to prevent personal injury or damage to equipment in the event of such failure.

System designers must provide a warning to end users in the system instructional manual if protection against a failure mode cannot be adequately provided.

System designers and end users are cautioned to review specific warnings found in instruction sheets packed and shipped with these products.

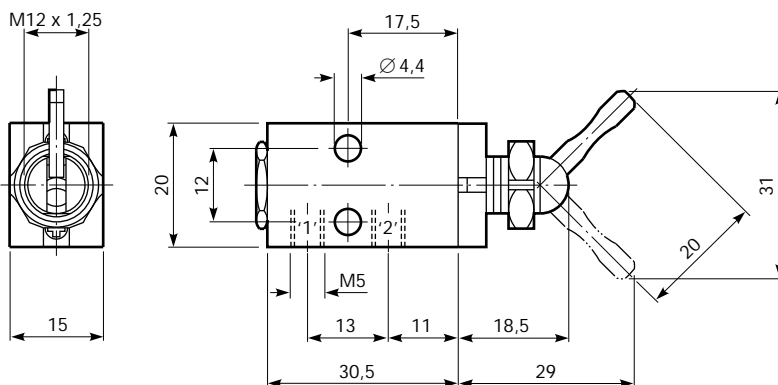
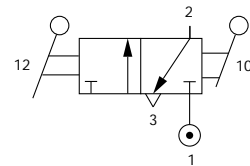


Button Operated, Spring Return



Model Number: **06 0202 00**
 Type: 3/2 with open exhaust
 Operating Force: 18 N @ 5,5 bar
 Basic Body: **06 0200 00**
 Operating Head: **06 0002 00**
 When fitting the operating head to the basic body, omit the face seal.

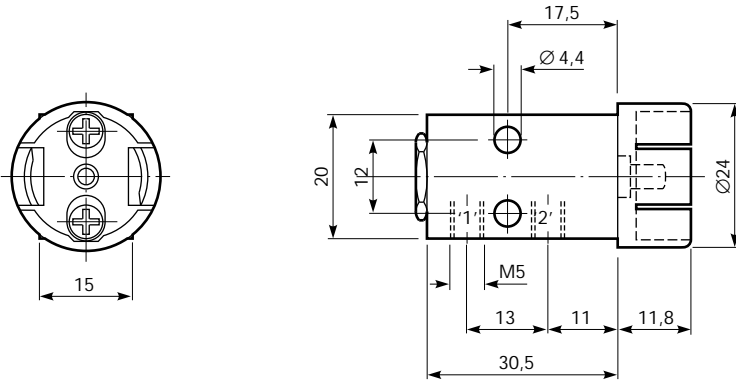
Lever Set-reset



Model Number: **06 0203 00**
 Type: 3/2 with open exhaust
 Operating Force: 18 N @ 5,5 bar
 Basic Body: **06 0200 00**
 Operating Head: **06 0003 00**
 When fitting the operating head to the basic body, omit the face seal.



Valve body and Adaptor Module for compact Electrical Style Operators

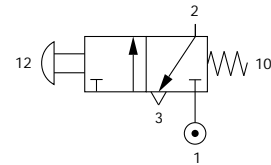
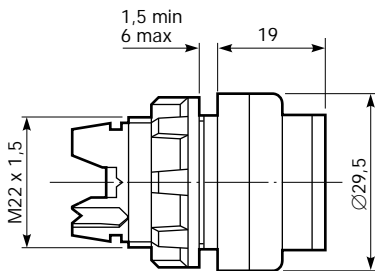


Model Number: **06 0218 00**

Type: 3/2

Operating Force: 18 N @ 5,5 bar

Button Operated, Spring Return



Operator Reference: **M/P34840/R**

Type: Momentary action

Colour: Red

Operator Reference: **M/P34840/G**

Type: Momentary action

Colour: Green

Operator Reference: **M/P34840/N**

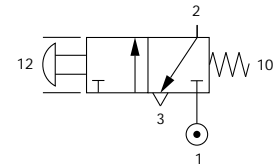
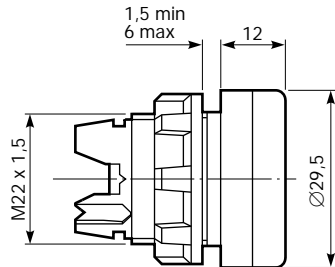
Type: Momentary action

Colour: Black

Valve returns when button is released.
These valves are suitable for panel mounting.
Panel Hole: $\text{Ø}22,5$ mm
Panel Thickness: 6 mm maximum



Button (Shrouded) Operated, Spring Return



Operator Reference: **M/P34841/R**

Type: Momentary action

Colour: Red

Operator Reference: **M/P34841/G**

Type: Momentary action

Colour: Green

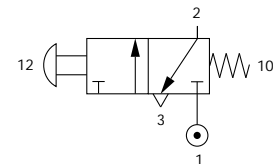
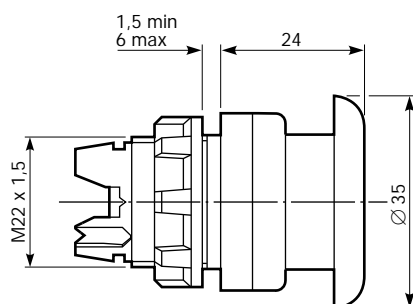
Operator Reference: **M/P34841/N**

Type: Momentary action

Colour: Black

Valve returns when button is released.
These valves are suitable for panel mounting.
Panel Hole: Ø22,5 mm
Panel Thickness: 6 mm maximum

Button (Palm) Operated, Spring Return



Operator Reference: **M/P34842/R**

Type: Momentary action

Colour: Red

Operator Reference: **M/P34842/G**

Type: Momentary action

Colour: Green

Operator Reference: **M/P34842/N**

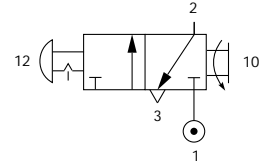
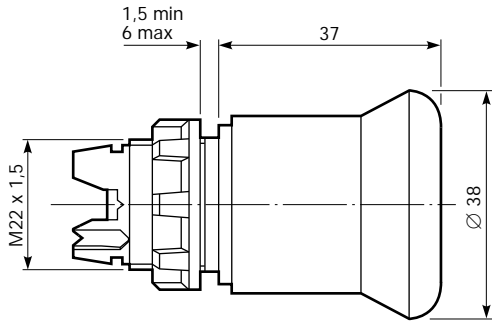
Type: Momentary action

Colour: Black

Valve returns when button is released.
These valves are suitable for panel mounting.
Panel Hole: Ø22,5 mm
Panel Thickness: 6 mm maximum



Palm Button Set, Twist Reset (Emergency Stop Button)



Operator Reference: **M/P34844**

Type: Maintained action

Colour: Red

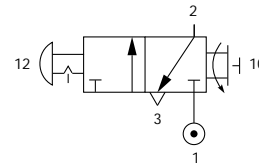
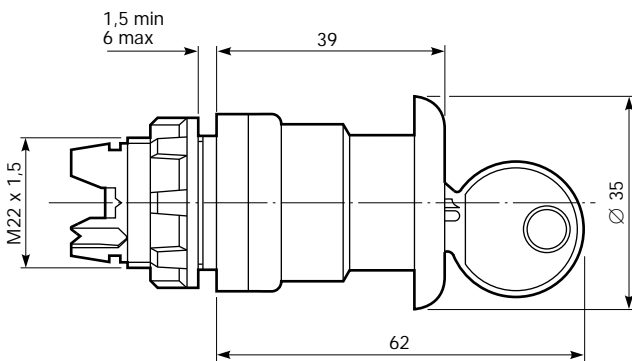
Valve latches when button is depressed and returns when button is turned clockwise.

These valves are suitable for panel mounting.

Panel Hole: Ø22,5 mm

Panel Thickness: 6 mm maximum

Palm Button Set, Key Reset (Emergency Stop Button)



Operator Reference: **M/P34862**

Type: Maintained action

Colour: Red

Valve latches when button is depressed.

To return, turn key 30° clockwise.

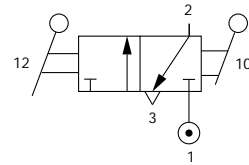
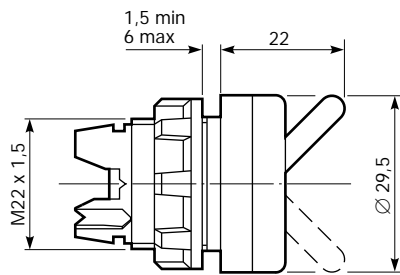
These valves are suitable for panel mounting.

Panel Hole: Ø22,5 mm

Panel Thickness: 6 mm maximum



Lever Set-reset



Operator Reference: **M/P34846**

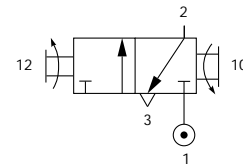
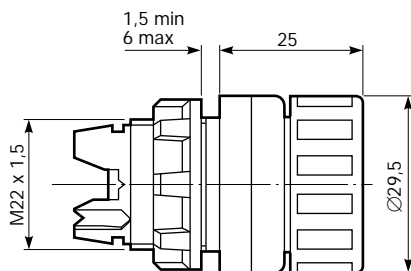
Type: Maintained action

These valves are suitable for panel mounting.

Panel Hole: Ø22,5 mm

Panel Thickness: 6 mm maximum

Rotary Knob Set-reset



Operator Reference: **M/P34843**

Type: Maintained action

Colour: Black

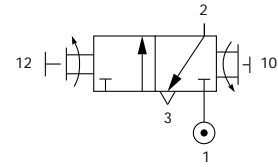
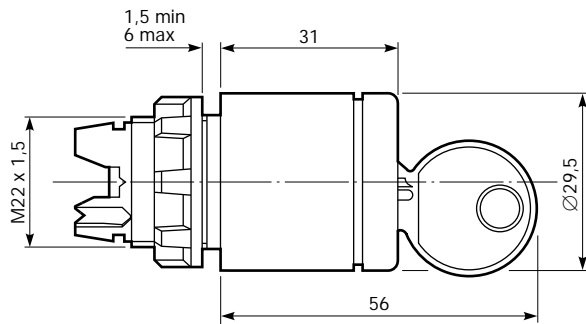
These valves are suitable for panel mounting.

Panel Hole: Ø22,5 mm

Panel Thickness: 6 mm maximum



Key Set-reset



Operator Reference: **M/P34845**

Type: Maintained action

These valves are suitable for panel mounting.

Panel Hole: Ø22,5 mm

Panel Thickness: 6 mm maximum