

# T1100

## Block form flow regulators (bi-directional)

- Port size: G1/8, G1/4 & G1/2
- Compact size (low weight) in-line units
- High flow performance
- Suitable for panel and wall mounting
- Adjustment can be locked
- Captive regulator needle will not blow out when unscrewed
- Adjusting knob position line
- Metered in both directions



### Technical features

**Medium:**

Compressed air, filtered, lubricated or non-lubricated, inert gases

**Operation:**

Flow regulators (bi-directional)

**Operating pressure:**

0 ... 10 bar (0 ... 145 psi)

**Port size:**

G 1/8, G 1/4, G1/2

**Mounting:** Line mounted

**Ambient/Media temperature:**

-20 ... +80°C (-4 ... +176°F)

Air supply must be dry enough to avoid ice formation at temperatures below +2°C (+35°F).

**Materials:**

Body: aluminium alloy (painted)


Seals: low nitrile

Internal parts: brass

External parts: aluminium alloy (anodised)

Needle: brass (nickel plated)

### Technical data, standard models

Symbol	Port size	Maximum regulated flow factor			Operating pressure (bar)	Weight (kg)	Model
		C *1)	Cv	Kv *2)			
	G1/8	0,57	0,14	0,12	0 ... 10	0,031	T1100C1800
	G1/4	1,3	0,32	0,28	0 ... 10	0,056	T1100C2800
	G1/2	7,5	1,84	1,6	0 ... 10	0,180	T1100C4800

\*1) Measured in m<sup>3</sup>/(s. bar)

\*2) Measured in m<sup>3</sup>/h

### Option selector

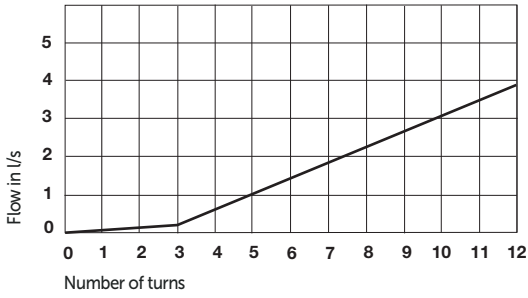
**T1100★★★★00**

Thread form	Substitute
ISO G, parallel	C
NPT	A

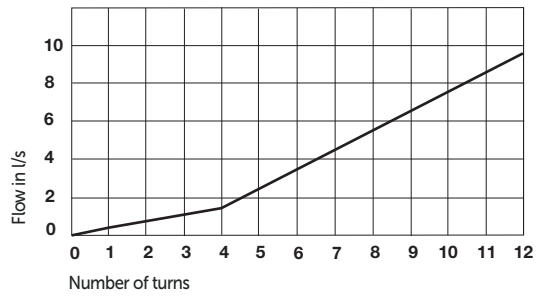
Port size	Substitute
1/8"	18
1/4"	28
1/2"	48

### Flow vs turns at 6 bar – flow in dm<sup>3</sup>/s

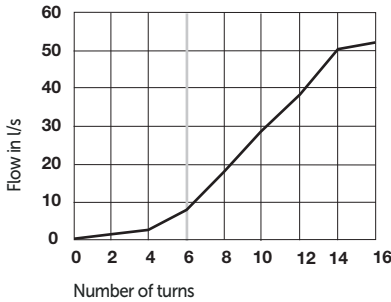
#### 1/8" version



#### 1/4" version

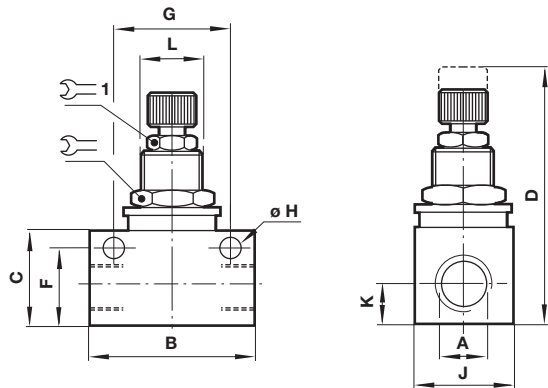


#### 1/2" version



### Drawing

Dimensions in mm  
Projection/First angle



A	B	C	D	F	G	H	J	K	L			Panel hole	Max. panel thickness	Model
G1/8	34	20	51	16,5	24	4,5	16	8	M12 x 1	14	9	12,5	4	T1100C1800
G1/4	45	25,5	61,5	21	32	4,5	19	9,5	M14 x 1	17	9	14,5	4	T1100C2800
G1/2	65	36	82	30,5	50	6,5	30	15	M20 x 1	24	14	20,5	4	T1100C4800

### Warning

These products are intended for use in industrial compressed air systems only. Do not use these products where pressures and temperatures can exceed those listed under »**Technical features/data**«.

Before using these products with fluids other than those specified, for non-industrial applications, life-support systems or other applications not within published specifications, consult Norgren Ltd.

Through misuse, age, or malfunction, components used in fluid power systems can fail in various modes.

The system designer is warned to consider the failure modes of all component parts used in fluid power systems and to provide adequate safeguards to prevent personal injury or damage to equipment in the event of such failure.

System designers must provide a warning to end users in the system instructional manual if protection against a failure mode cannot be adequately provided.

System designers and end users are cautioned to review specific warnings found in instruction sheets packed and shipped with these products.