

- > Port size: G1/4, G1/2
- > Enables air to be exhausted quickly from air reservoirs and cylinders
- > Allows higher cylinder speeds to be achieved
- > Simple, compact design and construction
- > Very reliable in operation



Technical features

Medium:

Compressed air, filtered, lubricated and non-lubricated

Operating:

Quick exhaust valves

Operating pressure:

0,7 ... 10 bar (10 ... 145 psi) (S/511)

0,7 ... 7 bar (10 ... 101 psi) (S/513, S/514)

Port size:

G1/4 & G1/2

Mounting:

Line mounted

Ambient/Media temperature:

-20°C ... +80°C (-4 ... +176°F)

Air supply must be dry enough to avoid ice formation at temperatures below +2°C (+35°F)

Materials:

Body: zinc alloy (S/513), aluminium alloy (S/511, S/514)

Cover: aluminium (S/511), plastic POM (S/513, S/514)

Silencer shell:

plastic POM (S/513, S/514)

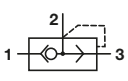
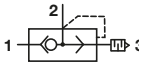
Element:

porous plastic (S/513, S/514)

Cup seal: PUR

'O'ring: NBR

Technical data

Symbol	Port 1	Flow (1 to 2) C *1)			at 6 ... 5 bar (l/min)			(2 to atm) C *1)			Silencer at exhaust port	Weight (kg)	Spares kit (seals only)	Model
		Cv	Kv 2)*			Cv	Kv *2)							
	G1/2	21,6	5,3	4,6	2022	39	9,56	8,3	no	0,31	QS/511/00	S/511		
	G1/4	7,6	1,86	1,62	900	13,5	3,3	2,9	yes	0,25	QS/510/00	S/513		
	G1/2	21,6	5,3	4,6	2022	39	9,56	8,3	yes	0,35	QS/511/00	S/514		

*1) Measured in dm³/(s.bar)

*2) Measured in m³/h

Option selector

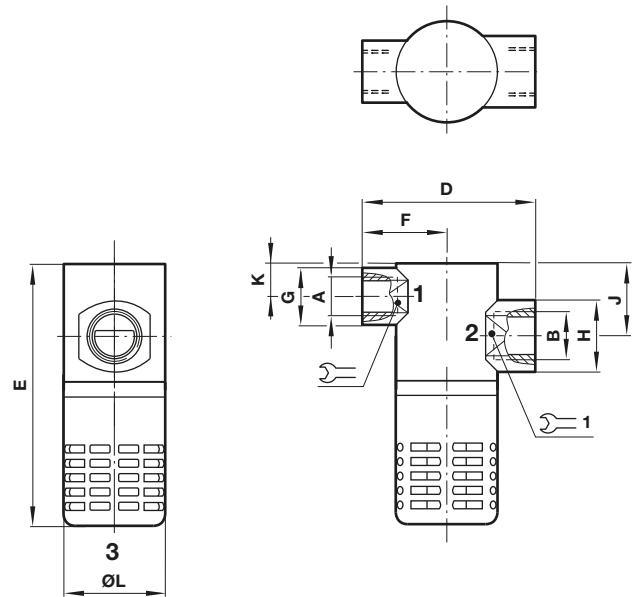
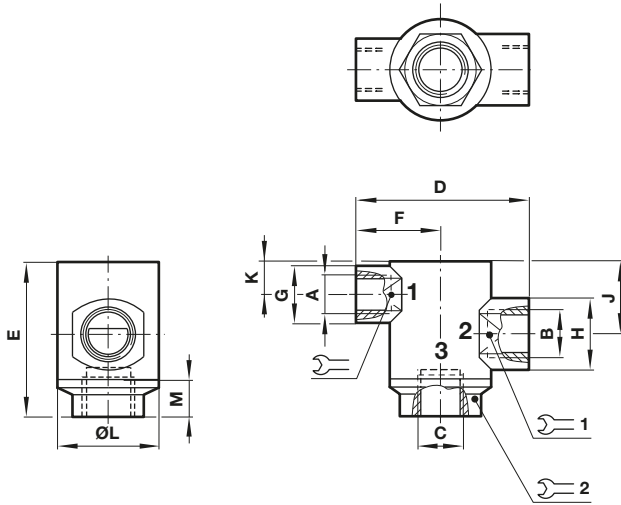
★/51★




Thread form	Substitute	Port size	Substitute
ISO G, parallel	S	1/2", without silencer	1
NPT	C	1/4", with silencer	3
		1/2", with silencer	4


Drawings
S/511

S/513, S/514

Dimensions in mm
Projection/First angle



A	B	C	D	E	F	G	H
G1/2	G3/4	G3/4	100	86	50	28,5	35
	J	K	Ø L	M			Model
36	48	17	47,5	15,0	32	30	S/511

A	B	C	D	E	F	G	Model
G1/4	G3/8	47,5	58	86,5	29	18,0	S/513
G1/2	G3/4	63,0	100	134,0	50	28,5	S/514
H		J	K	Ø L	Ø O	1	Model
23	23	23	10	34,0	34	21	S/513
35	36	48	17	47,5	59	30	S/514

Warning

These products are intended for use in industrial compressed air systems only. Do not use these products where pressures and temperatures can exceed those listed under »**Technical features/data**«.

Before using these products with fluids other than those specified, for non-industrial applications, life-support systems or other applications not within published specifications, consult IMI Precision Engineering, Norgren Ltd.

Through misuse, age, or malfunction, components used in fluid power systems can fail in various modes. The system designer is warned to consider the failure modes of all component parts used in fluid power systems and to provide adequate safeguards to prevent personal injury or damage to equipment in the event of such failure.

System designers must provide a warning to end users in the system instructional manual if protection against a failure mode cannot be adequately provided.

System designers and end users are cautioned to review specific warnings found in instruction sheets packed and shipped with these products.