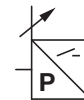


34D Pneumatic/Hydraulic/Allfluid - electronic pressure sensor

- -1 ... 600 bar in different pressure ranges
- Port size G1/4 or flange mounting with adapter
- Two output options; 2 x digital outputs or 1 x digital and 1 x Analogue (both options IO-Link configurable)
- Multicolour 4-digit display with configurable colour change (red/green) at set point
- Upper body can be rotated 345° relative to the process connection for easy alignment of the display
- Suitable for harsh industrial and process control environments
- High overpressure resistance
- UL-listed



Technical features

Medium:

For neutral and aggressive, gaseous and liquid fluids

Pressure range:

-1 ... 1 bar (-14,5 ... 14,5 psi)
 -1 ... 10 bar (-14,5 ... 145 psi)
 0 ... 16 bar (0 ... 232 psi)
 0 ... 40 bar (0 ... 580 psi)
 0 ... 100 bar (0 ... 1450 psi)
 0 ... 160 bar (0 ... 2320 psi)
 0 ... 250 bar (0 ... 3626 psi)
 0 ... 400 bar (0 ... 5801 psi)
 0 ... 600 bar (0 ... 8702 psi)

Pressure type:

Relative pressure

Switching pressure difference:
 Programmable

Switching point:

Adjustable between
 0 ... 100% of full scale (FS)

Reset point:

Adjustable between
 0 ... 100% of full scale (FS)
 (smallest adjustable pressure switching difference between switching point and reset point \geq 0,5% of full scale (FS))

Electrical parameters

Electrical connection:

M12 x 1 (contacts gold plated)

Power supply:

UB = 18 ...30 VDC
 reverse-polarity protected
 (according to EN 50178 SELV/
 PELV)

Permissible residual ripple:

10% (within UB)

Display:

Alphanumeric display, 4-digit (red/green), programmable pressure units: bar, PSI, Mpa

Mounting position:

Optional

Total accuracy:

\pm 0,5% of full scale (FS) - without temperature sensitivity

Linearity:

\pm 0,25% + 1 display step size

Shock proof:

50 g, (11ms), DIN EN 60068-2-27

Vibration proof:

20 g, 10 ... 2000 Hz,
 DIN EN 60068-2-6
 Degree of protection acc.
 DIN EN 60529:
 IP67 (with plug mounted)

Weight:

0,26 kg (0.57 lbs)

Temperature sensitivity:

Zero-point: \pm 0,2% of maximum operating pressure range (FS) per 10 Kelvin

Pressure range: \pm 0,2% of maximum operating pressure range (FS) per 10 Kelvin

Ambient/Media temperature:

Ambient:

-25 ... +80°C (-13 ... +176°F)

Media:

-25 ... +80°C (-13 ... +176°F)

Air supply must be dry enough to avoid ice formation at

temperature below +2°C (+35°F)

Materials:

Housing:

Stainless steel (1.4404 / 316L);

PBT+PC-GF30; PBT-GF20; PC

Wetted parts: Stainless steel (1.4404 / 316L); Al2O3 (ceramics); FKM

Technical data - Output Signal 2 x PNP (1 x IO-Link, configurable)

Symbol	Port size	Pressure range		Over pressure*1		Output Signal	Model
		(bar)	(psi)	(bar)	(psi)		
	G1/4	-1 ... 1	-14.5 ... 14.5	10	145	2 x PNP	34D-V101G-DD1-AA
	G1/4	-1 ... 10	-14.5 ... 145	75	1090	2 x PNP	34D-V110G-DD1-AA
	G1/4	0 ... 16	0 ... 232	85	1225	2 x PNP	34D-P016G-DD1-AA
	G1/4	0 ... 40	0 ... 580	200	2900	2 x PNP	34D-P040G-DD1-AA
	G1/4	0 ... 100	0 ... 1450	300	4350	2 x PNP	34D-P100G-DD1-AA
	G1/4	0 ... 160	0 ... 2320	350	5075	2 x PNP	34D-P160G-DD1-AA
	G1/4	0 ... 250	0 ... 3625	500	7250	2 x PNP	34D-P250G-DD1-AA
	G1/4	0 ... 400	0 ... 5800	800	11580	2 x PNP	34D-P400G-DD1-AA
	G1/4	0 ... 600	0 ... 8700	800	11580	2 x PNP	34D-P600G-DD1-AA

Technical data - Output Signal 1 x PNP (1 x IO-Link, configurable), 1 x Analogue

Symbol	Port size	Pressure range		Over pressure*1		Output Signal	Model
		(bar)	(psi)	(bar)	(psi)		
	G1/4	-1 ... 1	-14.5 ... 14.5	10	145	1 x PNP / 1 x analogue	34D-V101G-DA1-AA
	G1/4	-1 ... 10	-14.5 ... 145	75	1090	1 x PNP / 1 x analogue	34D-V110G-DA1-AA
	G1/4	0 ... 16	0 ... 232	85	1225	1 x PNP / 1 x analogue	34D-P016G-DA1-AA
	G1/4	0 ... 40	0 ... 580	200	2900	1 x PNP / 1 x analogue	34D-P040G-DA1-AA
	G1/4	0 ... 100	0 ... 1450	300	4350	1 x PNP / 1 x analogue	34D-P100G-DA1-AA
	G1/4	0 ... 160	0 ... 2320	350	5075	1 x PNP / 1 x analogue	34D-P160G-DA1-AA
	G1/4	0 ... 250	0 ... 3625	500	7250	1 x PNP / 1 x analogue	34D-P250G-DA1-AA
	G1/4	0 ... 400	0 ... 5800	800	11580	1 x PNP / 1 x analogue	34D-P400G-DA1-AA
	G1/4	0 ... 600	0 ... 8700	800	11580	1 x PNP / 1 x analogue	34D-P600G-DA1-AA

*1) Short-term pressure peaks are not allowed to exceed this limit value during operation.

Operative utilization of the over pressure is not permitted. The over pressure corresponds to the maximum testing pressure

Electrical connection M12 x 1 (2 x PNP)

	PIN-No.	Signal	Cable
	1	+ UB	brown
	2	Out 2 (PNP)	white
	3	0 Volt	blue
	4	Out 1 (PNP)/ IO-Link	black

Electrical connection M12 x 1 (1 x PNP, 1 x analogue)

	PIN-No.	Signal	Cable
	1	+ UB	brown
	2	Analogue 4 ... 20 mA / 0...10V	white
	3	0 Volt	blue
	4	Out 1 (PNP)/ IO-Link	black

Option selector

34D-*****-1-AA

Pressure range (bar)	Substitute
-1 ... 1	V101G
-1 ... 10	V110G
0 ... 16	P016G
0 ... 40	P040G
0 ... 100	P100G
0 ... 160	P160G
0 ... 250	P250G
0 ... 400	P400G
0 ... 600	P600G

Analogue-Type	Substitute
IO-Link, configurable	1
Output Signal	Substitute
2 x PNP	DD
1 x PNP / 1 x Analogue	DA

Mounting accessories

Flange adapter	Wall mounting kit	Mounting clamp	Label Tag Holder	Cover protection	Throttle screw	Adapter G1/4 - G1/4	Adapter G1/4 - 1/4 NPT
34D-FLANGE-ADPT	34D-BRKT-ANGLED	34D-BRKT-BODY	34D-LABEL-TAG	34D-COVER-PROTEC	34D-DAMPING-SCRW	34D-14G-G-ADPT	34D-14G-NPT-ADPT

Accessories

Connector M12 x 1

4-pin, 90°



0523058000000000 (2 m cable, 4-pin)
0523053000000000 (5 m cable, 4-pin)

4-pin, 90°



0523056000000000 (wireable without cable)

4-pin, straight



0523057000000000 (2 m cable, 4-pin)
0523052000000000 (5 m cable, 4-pin)

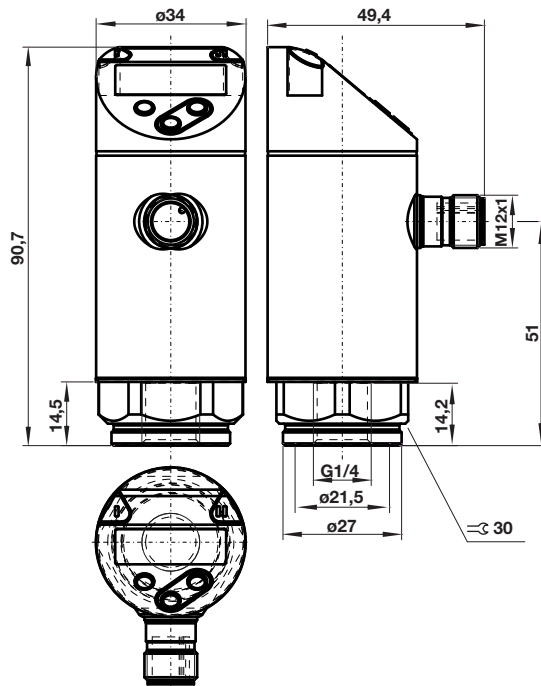
4-pin, straight



0523055000000000 (wireable without cable)

Dimensions pressure switch

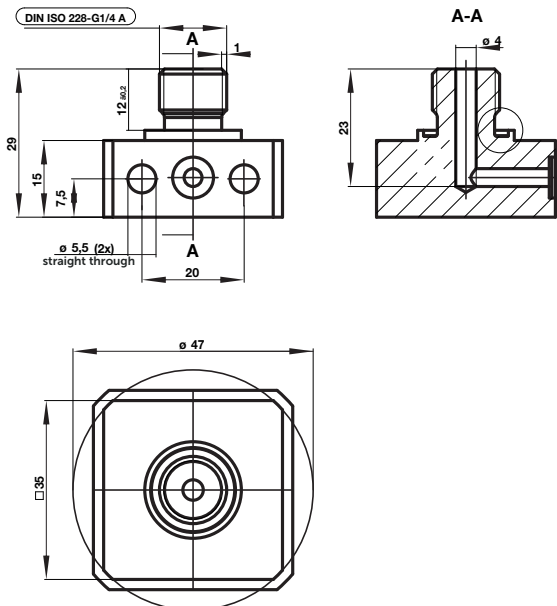
Dimensions in mm
Projection/First angle



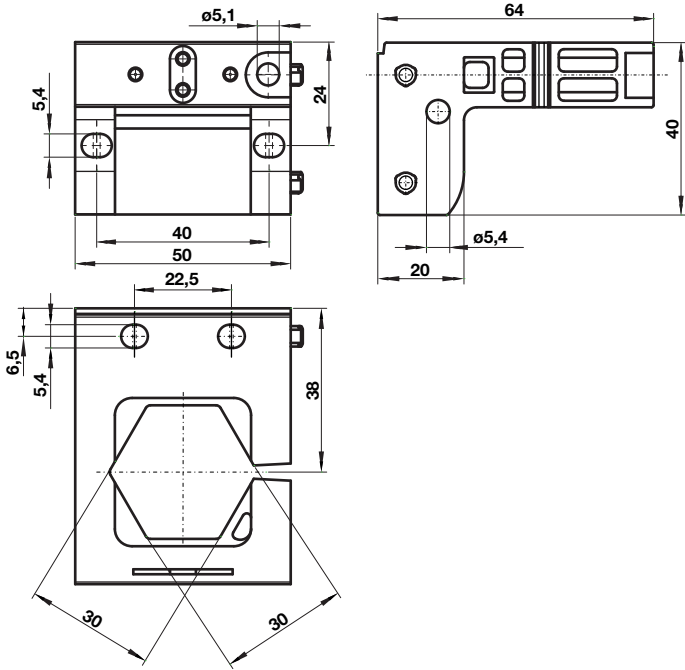
Dimensions accessories

Flange adapter

34D-FLANGE-ADPT

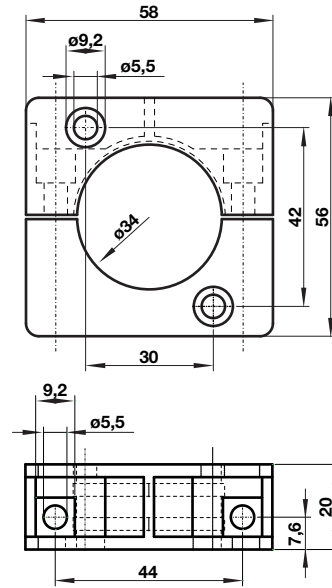


**Wall mounting kit
34D-BRKT-ANGLED**

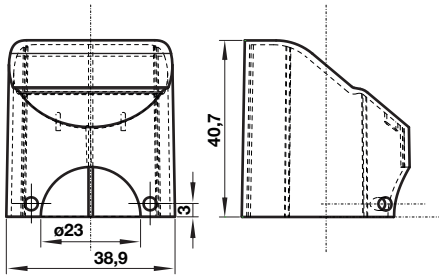


**Mounting clamp
34D-BRKT-BODY**

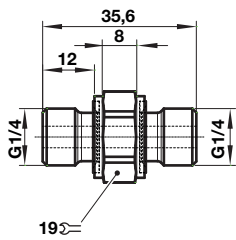
Dimensions in mm
Projection/First angle



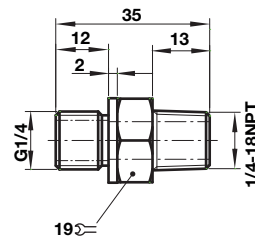
**Cover protection
34D-COVER-PROTEC**



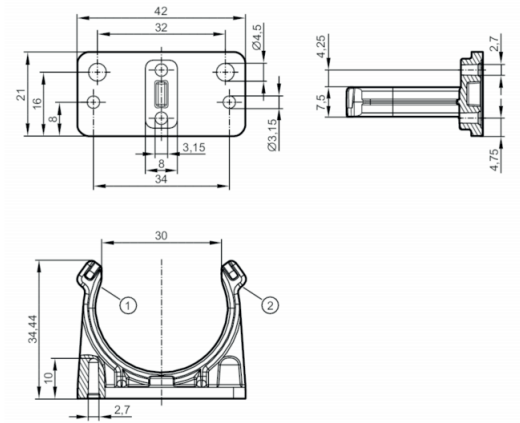
**Adapter
34D-14G-G-ADPT**



**Adapter
34D-14G-NPT-ADPT**

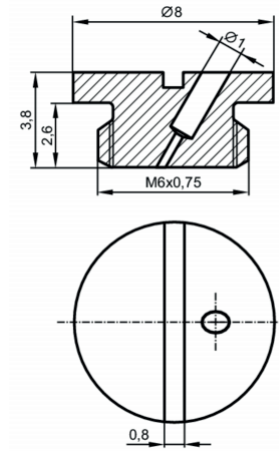


Label tag holder 34D-LABEL-TAG



Throttle screw 34D-DAMPING-SCRW

Dimensions in mm
Projection/First angle



Warning

These products are intended for use in industrial compressed air and fluid systems only. Do not use these products where pressures and temperatures can exceed those listed under »**Technical features/data**«. Before using these products with fluids other than those specified, for non-industrial applications, life-support systems, or other applications not within published specifications, consult Norgren GmbH.

Through misuse, age, or malfunction, components used in fluid power systems can fail in various modes.

The system designer is warned to consider the failure modes of all component parts used in fluid power systems and to provide adequate safeguards to prevent personal injury or damage to equipment in the event of such failure. System designers must provide a warning to end users in the system instructional manual if protection against a failure mode cannot be adequately provided.

System designers and end users are cautioned to review specific warnings found in instruction sheets packed and shipped with these products.