

- > Direct mounting on XSz press safety valves
- > Quick exhaust time
- > High safety; due to free passage of air in silencer preventing clogging and therefore minimizing stopping time of the press
- > Prevents hazardous airborne contamination from being exhausted at high pressure
- > Lightweight
- > Compact design



Technical features

Medium:
Compressed air, filtered, lubricated or non-lubricated

Back pressure:
6 bar (87 psi) maximum

Mounting:
Direct mounting on exhaust port

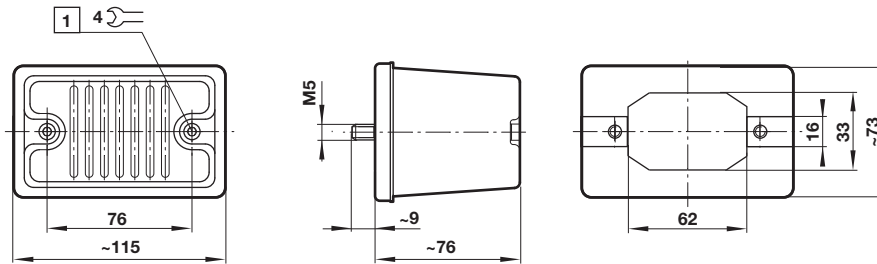
Weight:
0,5 kg (0016422)
2,6 kg (0016622)

Ambient/Media temperature:
-10 ... +60°C (+14 ... 140°F)
Air supply must be dry enough to avoid ice formation at temperatures below +2°C (+35°F).

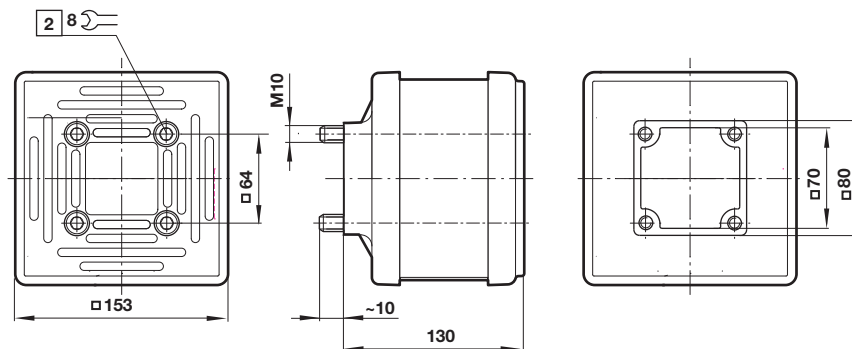
Materials:
Body: Aluminium or steel
Mesh: Polyester fibre

Drawing 0016422 for XSz 10/10V

Dimensions in mm
Projection/First angle



0016622 for XSz 20 & 32



- 1 Torque 4,5 ± 0,5 Nm
- 2 Torque 10 + 2 Nm

Warning

These products are intended for use in industrial compressed air systems only. Do not use these products where pressures and temperatures can exceed those listed under »Technical features/data«.

Before using these products with fluids other than those specified, for non-industrial applications, life-support systems or other applications not within published specifications, consult IMI NORGRN.

Through misuse, age, or malfunction, components used in fluid power systems can fail in various modes.

The system designer is warned to consider the failure modes of all component parts used in fluid power systems and to provide adequate safeguards to prevent personal injury or damage to equipment in the event of such failure.

System designers must provide a warning to end users in the system instructional manual if protection against a failure mode cannot be adequately provided.

System designers and end users are cautioned to review specific warnings found in instruction sheets packed and shipped with these products.