

**2/2 Poppet Isolation Valves  
Electrically Actuated  
M5, M6, Rc1/8, Rc1/4**

- Ideal for control of corrosive and aggressive media
- Elastomer diaphragm provides protection from aggressive, corrosive and gritty media
- Isolation valves can be equipped with a low wattage coil (as low as 0.65 watts in the series 9)
- Valves can also be integrated into standard manifolds or intricate custom manifold assemblies
- Isolation valves are available in a 2-way normally closed configuration
- Two valves can be combined on a common base for 3-way operation

**Technical data valves**
**Medium:**

Neutral gaseous and liquid fluids,  
air and vacuum compatibility is based on combination  
of body and seal materials

**Operation:**

Poppet valve, directly actuated with spring return

**Port Size:**

M5	series 9
M5, M6, Rc1/8	series 2
M5, M6, Rc1/8, Rc1/4	series 6

**Operating pressure:**

See individual details

**Flow:**

Kv max.	0,004	porting	M5	series 9
	0,1		Rc1/8	series 2
	0,46		Rc1/8	series 6

**Operating temperature:**

-20°C to 130°C

**Power Rating:**

0,65 W	series 9
7 W	series 2
10 W	series 6

**Lead Wire Type:**

AWG 24	series 9
AWG 18 or 20	series 2
AWG 18	series 6

**Cable Length:**

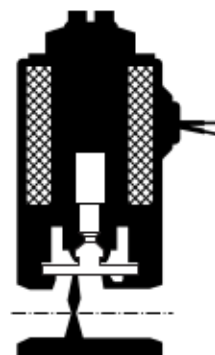
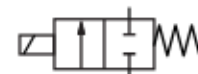
305 mm (black colour)	series 9
610 mm (black colour)	series 2 & 6

**Material**

Body: Delrin®, PVC or Kynar® (series 2 & 6),  
Halar® or Acrylic (series 9)  
Seals: fluorocarbon, Ethylene propylene or Chemraz®  
Ethylene propylene or Chemraz® (please see model codes)

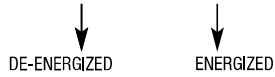

**Ordering information**

See model codes

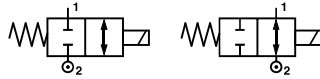




## 2-Way normally closed

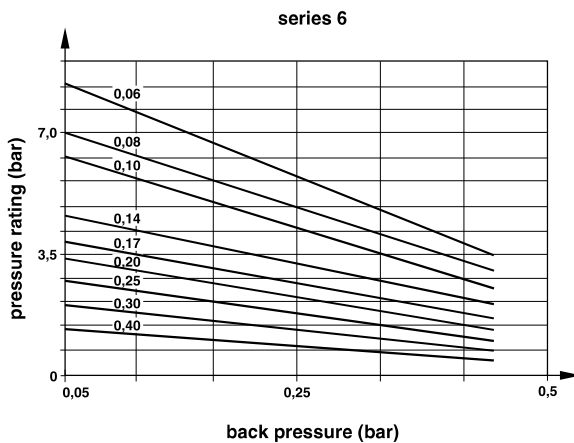
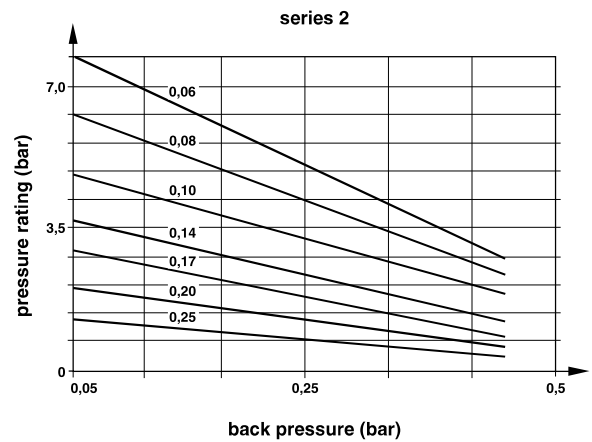


Port identification:  
IN - 1  
OUT - 2



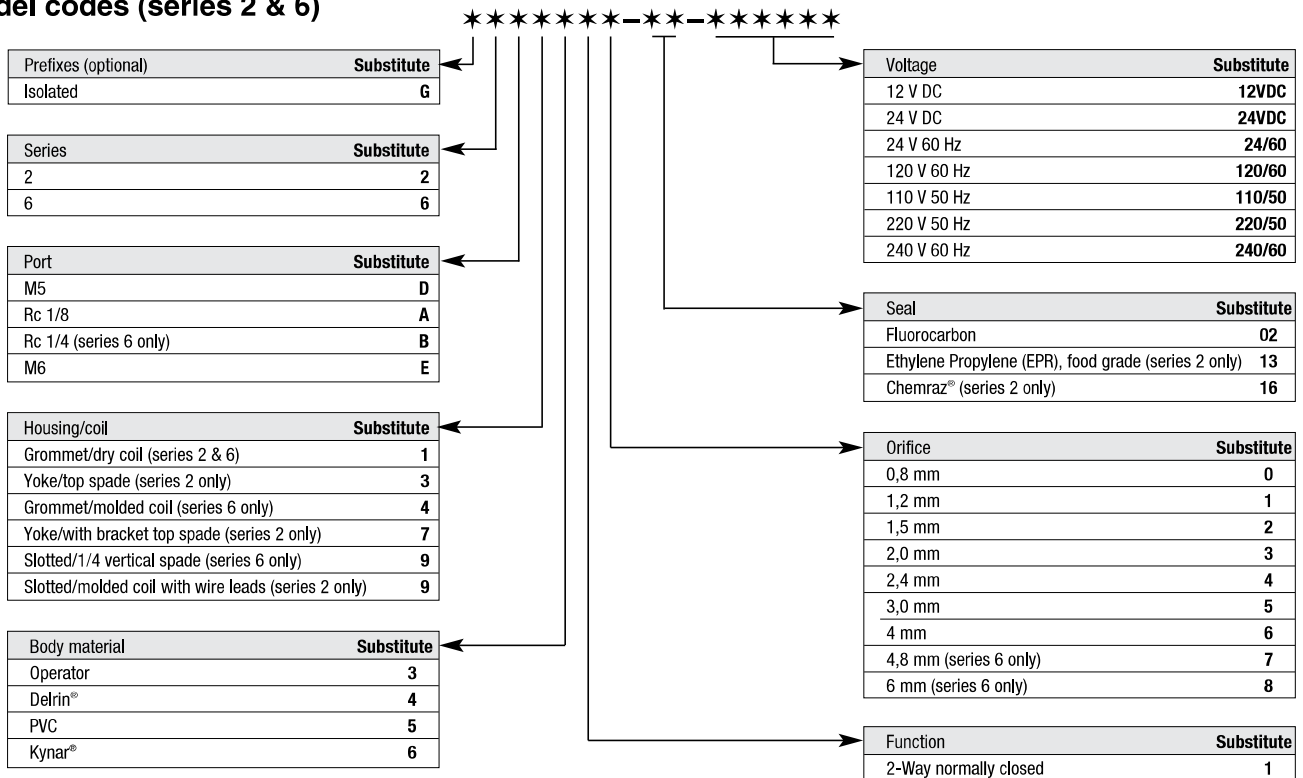
series	orifice diameter (mm) body	Factor	Kv	
			body	(bar)
9	0,15		0,021	6,5
2	0,8		0,021	8,3
	1,2		0,038	7,0
	1,5		0,063	5,0
	2,0		0,096	4,0
	2,4		0,130	3,0
	3,0		0,175	2,0
6	4,0		0,210	1,4
	0,8		0,026	9,0
	1,2		0,050	7,5
	1,5		0,065	6,5
	2,0		0,096	5,0
	2,4		0,140	4,0
	3,0		0,200	3,5
	4,0		0,263	2,8
	4,8		0,332	2,0
	6,0		0,454	1,4

## Isolation valve backpressure de-rating curves

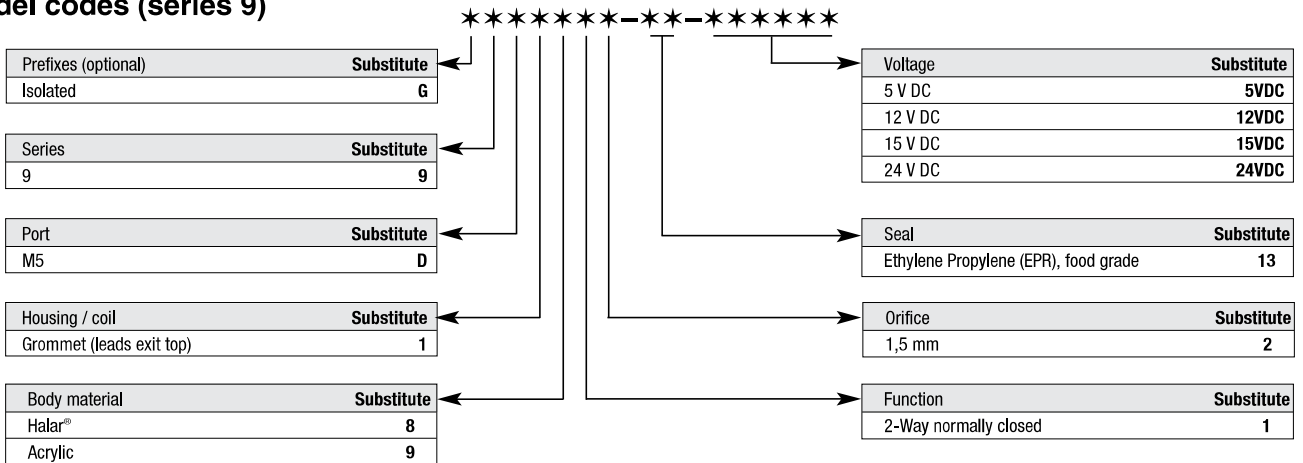




### Model codes (series 2 & 6)



### Model codes (series 9)



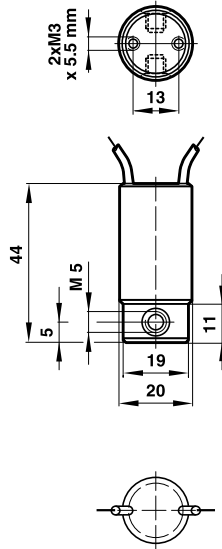
### Warning

These products are intended for use in industrial systems only. Do not use these products where *pressures* and *temperatures* can exceed those listed under 'Technical Data'.  
 Before using these products with fluids other than those specified, for non-industrial applications, life-support systems, or other applications not within published specifications, consult NORGREN.  
 Through misuse, age, or malfunction, components used in fluid power systems

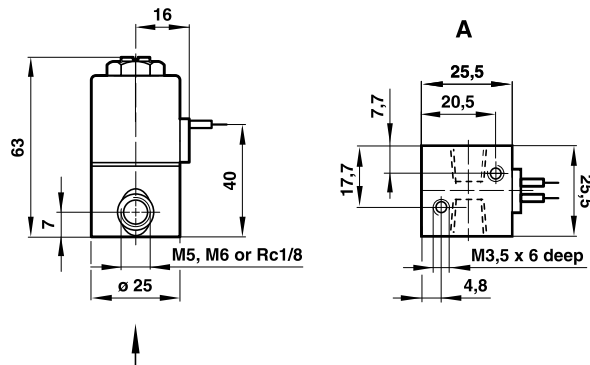
can fail in various modes. The system designer is warned to consider the failure modes of all component parts used in fluid power systems and to provide adequate safeguards to prevent personal injury or damage to equipment in the event of such failure.  
 System designers must provide a warning to end users in the system instructional manual if protection against a failure mode cannot be adequately provided.  
 System designers and end users are cautioned to review specific warnings found in instruction sheets packed and shipped with these products where applicable.



Standard valves series 9

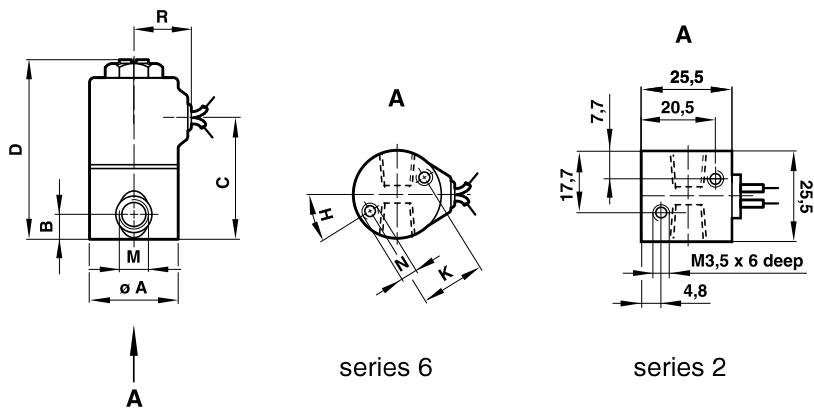


Standard valve series 2  
Slotted/molded coil with wire leads (9)



Series	A	B	C	D	N	R
2	25	7	40	63	M3,5 x 6 mm	16

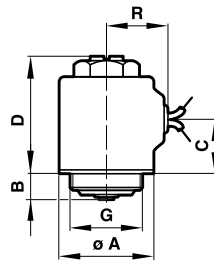
Basic dimensions standard valve series 2 & 6  
Grommet/dry coil (1)



Series	A	B	C	D	M	R
2	25	7	38	59	M5, M6 or Rc1/8	16
Series	A	B	C	D	M	R
6	41	9	55	76	M5, M6, Rc1/8 or Rc1/4	26

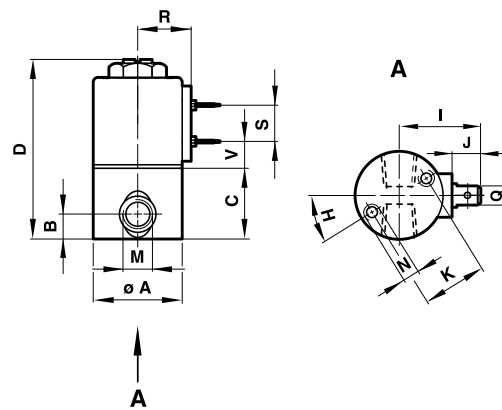


## Operator standard



Series	Ø A	C	D	G	R
2	26	18	39	3/4 - 32 UNEF	-16
Series	Ø A	C	D	G	R
6	Rc1/8	42	46	1 - 32	26
	Rc1/4	42	46	1 - 32	26

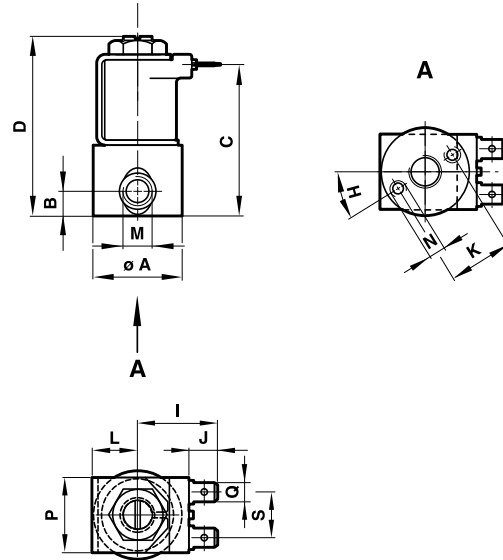
## Slotted/1/4 vertical spade (9)



Series	Ø A	B	C	D	H	I	J	K	M	N	Q	S	R	V	
6	Rc1/8	42	9	27	73	45°	32	10	31,4	Rc1/8	M5 x 8 mm	6x0,8	13	22	9
	Rc1/4	42	9	30	76	45°	32	10	31,4	Rc1/4	M5 x 8 mm	6x0,8	13	22	9



### Yoke/top spade (3)



Series	A	B	C	D	I	J	L	M	N	P	Q	R	S
2	25	7	51	67*	30	10	16	Rc1/8	M3,5 x 6 mm	25	6 x 8,1	16	15

\* For port size M5 and M6, dimension "D" is only 63 mm.