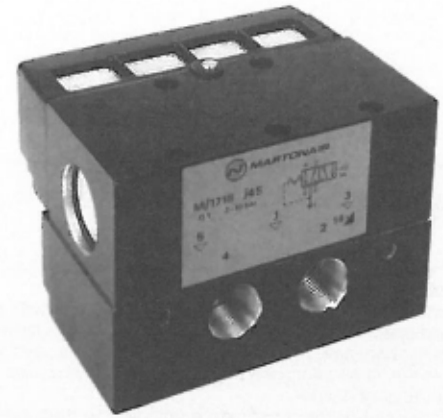




- Ideal for direct control of large cylinders
- Integral high flow silencer
- Easily serviced with long operating life
- Sub-base mounted



**Technical Data**

Medium:  
Compressed air, filtered, lubricated and non-lubricated

Operation:  
Spool valve, directly actuated

Mounting:  
Threaded holes in sub-base

Port Size:  
G1

Operating Pressure:  
2 - 10 bar

Flow (to CETOP RP50P):  
'C' - Conductance  $\text{dm}^3/\text{s}/\text{bar}$  42,42  
'b' - Critical pressure ratio 0,17  
Cv 9,53

Operating Temperature:  
-20°C\* to +80°C

\*Consult our Technical Service for use below +2°C

**Alternative Models**

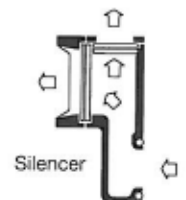
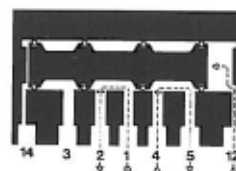
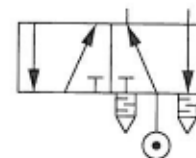
Other operator types for the M/1718 range are also available:  
Section 5.4. - Solenoid actuated models (M/1748)

**Materials**

Diecast aluminium body and sub-base, brass bush, light alloy spool and end caps, polyurethane cushion discs, nitrile rubber seals.

**Ordering Information**

To order, quote model number from table overleaf, e.g. M/1718/45 for a Pressure Actuated, Spring and Air Return model.





M/1718

### General Information

Model	Operator	Return	Weight (kg)	Spares kit
M/1718/45	Pressure	Spring and Air	6,00	QM/1718/3/00
M/1718/3	Pressure	Solenoid	6,00	QM/1718/3/00

### Warning

These products are intended for use in industrial compressed air systems only. Do not use these products where pressures and temperatures can exceed those listed under 'Technical Data'.

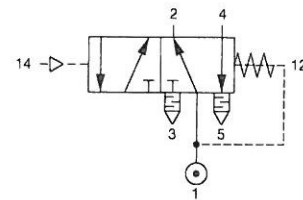
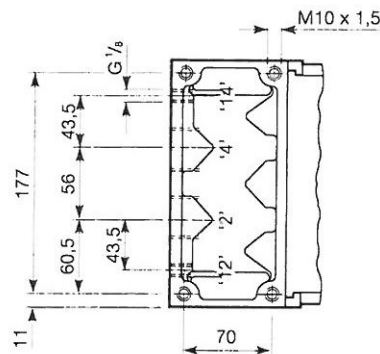
Before using these products with fluids other than those specified, for non-industrial applications, life-support systems, or other applications not within published specifications, consult NORGREN MARTONAIR.

Through misuse, age, or malfunction, components used in fluid power systems can fail in various modes. The system designer is warned to consider the failure modes of all component parts used in fluid power systems and to provide adequate safeguards to prevent personal injury or damage to equipment in the event of such failure.

**System designers must provide a warning to end users in the system instructional manual if protection against a failure mode cannot be adequately provided.**

System designers and end users are cautioned to review specific warnings found in instruction sheets packed and shipped with these products.

### Pressure Actuated, Spring and Air Return

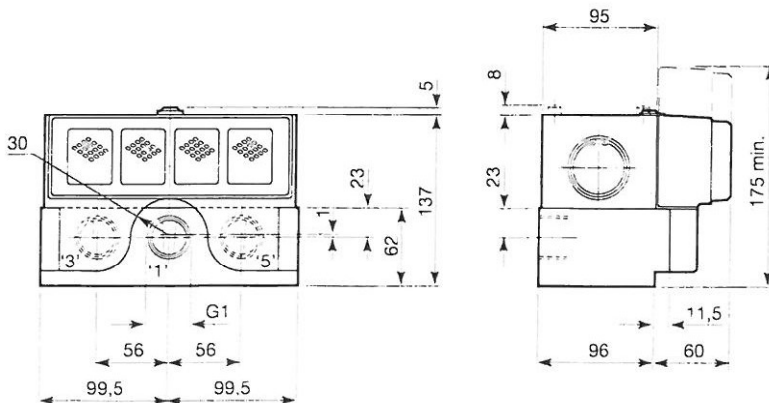


Model Number: M/1718/45

Type: 5/2

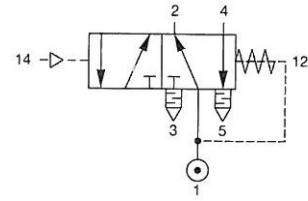
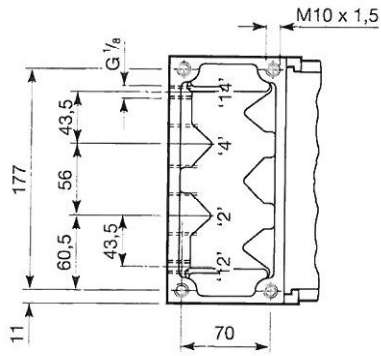
Pilot Pressure: 1 + (0,6 x supply pressure) bar

Mesh faces on integral silencer should not be obstructed





Pressure Set-reset



Model Number: **M/1718/3**

Type: 5/2

Pilot Pressure: 0,7 + (0,1 x supply pressure) bar  
Valve should be mounted with the axis of the spool horizontal

Mesh faces on integral silencer should not be obstructed

