

84190/84390

2/2-way piston seat valves

- > Port size: DN 2 ... 10, G1/8 ... 1/2 (ISO G/NPT)
- > Compact miniature actuator \varnothing 30 mm
- > Actuator may be rotated 360°
- > Suitable for contaminated process fluid
- > Suitable for vacuum up to max. 90%
- > Reversed flow direction optional
- > High flow rate
- > Valve operates without pressure differential
- > Clip angle M5 standard
- > International approvals

Stainless Steel



Technical features

Medium:

Neutral, aggressive gases and liquids up to 600 mm²/s

Pilot fluid:

Neutral gases max. +60°C (+140°F)

Switching function:

Normally closed

Operation:

Pressure actuated by external fluid

Mounting position:

Optional

Flow direction:

Determined

Port size:

G1/8, G1/4, G3/8, G1/2, 1/8 NPT, 1/4 NPT, 3/8 NPT, 1/2 NPT

Pilot port:

M5

Operating pressure:

0 ... 25 bar

Pilot pressure:

4 ... 10 bar (58 ... 145 psi)

Fluid temperature:

-10 ... +90°C (+14 ... +194°F)

Ambient temperature:

-10 ... +60°C (+14 ... +140°F)

Material:
Flow fluid range:

Body: Stainless steel (1.4408)

Seals: NBR

Seat seal: PTFE

Internal parts: Stainless steel

Seal packing: PTFE / NBR

self-adjustable

Pilot fluid range:

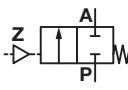
Body: Stainless steel (1.4404)

Seals: NBR

Internal parts: Stainless steel/

Brass

Technical data – standard models

Symbol	Port size	Orifice (mm)	Pilot pressure (bar)	Flow kv value *1) (m ³ /h)	Operating pressure *2)		Weight (kg)	Model
					(bar)	(psi)		
	G1/8	2	4 ... 10	0,12	0 ... 25	0 ... 362	0,35	8419800.0000.00000
	1/8 NPT	2	4 ... 10	0,12	0 ... 25	0 ... 362	0,35	8439800.0000.00000
	G1/4	4	4 ... 10	0,35	0 ... 25	0 ... 362	0,33	8419020.0000.00000
	1/4 NPT	4	4 ... 10	0,35	0 ... 25	0 ... 362	0,33	8439020.0000.00000
	G3/8	6	4 ... 10	0,6	0 ... 20	0 ... 290	0,32	8419140.0000.00000
	3/8 NPT	6	4 ... 10	0,6	0 ... 20	0 ... 290	0,32	8439140.0000.00000
	G1/2	10	4 ... 10	1,8	0 ... 8	0 ... 116	0,47	8419260.0000.00000
	1/2 NPT	10	4 ... 10	1,8	0 ... 8	0 ... 116	0,47	8439260.0000.00000

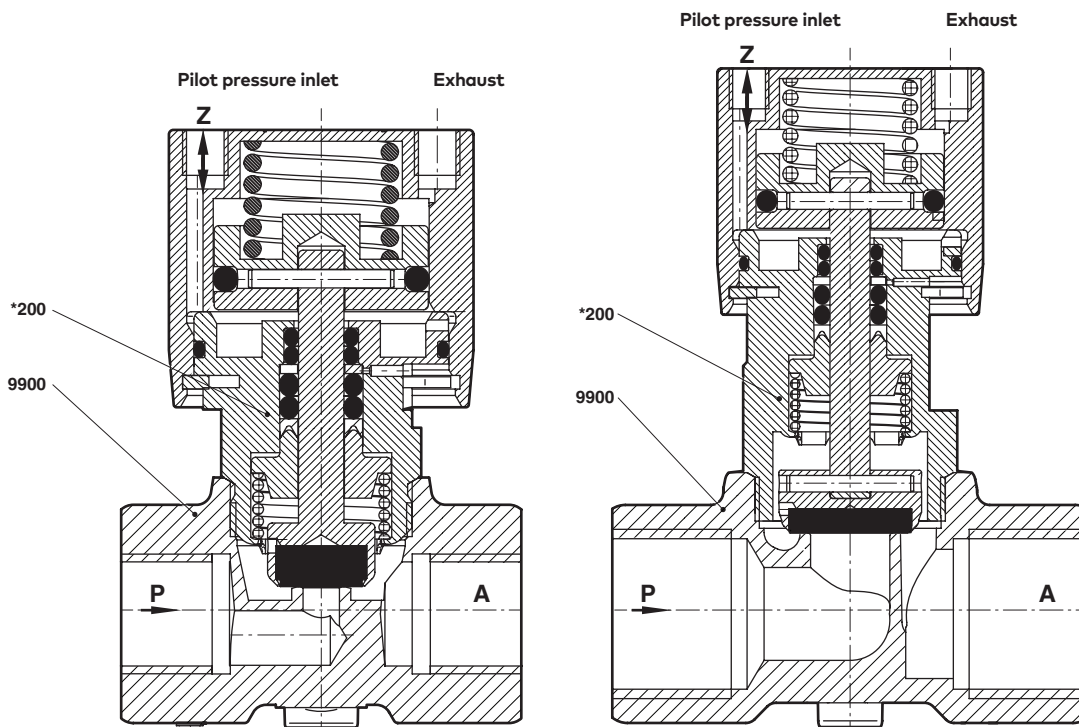
*1) Cv-value (US) = kv value x 1,2

*2) For gases and liquid fluids up to 600 mm²/s (cSt)

Option selector
84*.***.0000.00000**

Thread form	Substitute
ISO G	19
NPT	39
Port size	Substitute
1/8	800
1/4	020
3/8	140
1/2	260

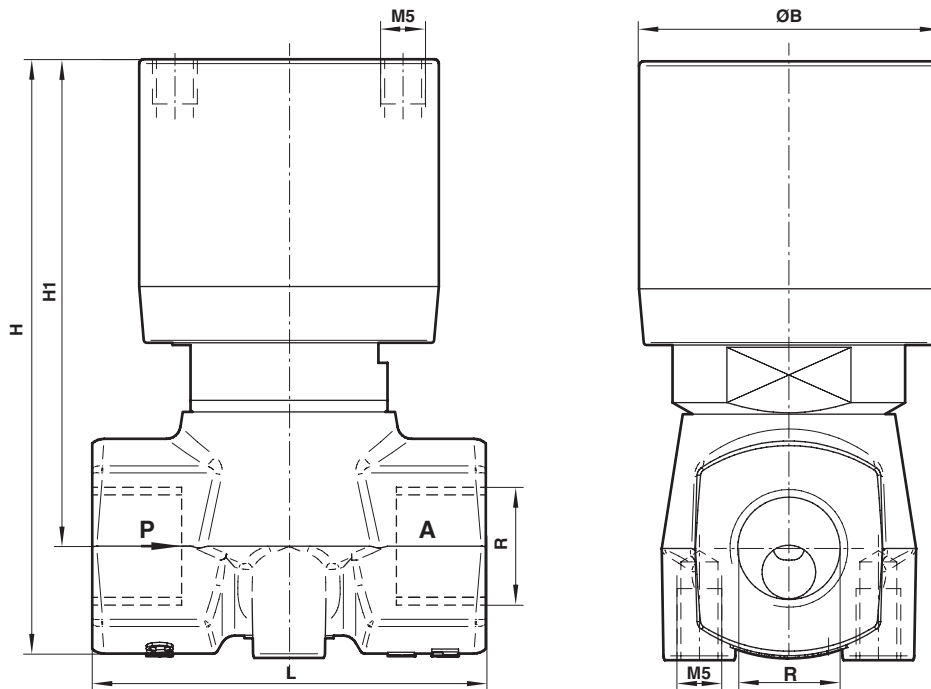
Further versions on request!

Section View
G1/8 ... 3/8
1/8 ... 3/8 NPT
G1/2
1/2 NPT


No.	Description
*200	Actuator
9900	Valve body

* These individual parts form a complete wearing unit.
 When ordering spare parts please state Model No. and Series No.

Dimensions
G1/8 ... 1/2
1/8 ... 1/2 NPT

 Dimensions in mm
 Projection/First angle


Port size R	B *3)	H	H1	L	Model
G1/8	44	65	53	44	8419800.0000.00000
1/8 NPT	44	65	53	44	8439800.0000.00000
G1/4	44	65	53	44	8419020.0000.00000
1/4 NPT	44	65	55	44	8439020.0000.00000
G3/8	44	65	53	44	8419140.0000.00000
3/8 NPT	44	65	53	44	8439140.0000.00000
G1/2	60	81	67	60	8419260.0000.00000
1/2 NPT	60	81	67	60	8439260.0000.00000

*3) B = max. depth

Note to Pressure Equipment Directive (PED):

The valves of this series up to and including DN 25 (G1) are according to Art. 4 § 3 of the Pressure Equipment Directive (PED) 2014/68/EU. This means interpretation and production are in accordance to engineers practice wellknown in the member countries. The CE-sign at the valve does not refer to the PED. Thus the declaration of conformity is not longer applicable for this directive.

For valves > DN 25 (G1) Art. 4 § (1) Letter d) applies:

The basic requirements of the Enclosure I of the PED must be fulfilled. The CE-sign at the valve includes the PED. A certificate of conformity of this directive will be available on request.

Note to Electromagnetic Compatibility Guideline (EEC):

The valves shall be provided with an electrical circuit which ensures the limits of the harmonised standards EN 61000-6-3 and EN 61000-6-1 are observed, and hence the requirements of the Electromagnetic Compatibility Guideline (2014/30/EU) satisfied.

Note to EAC marking:

The EAC-marked products comply with the applicable requirements stated in the technical regulations of the Eurasian Economic Union.