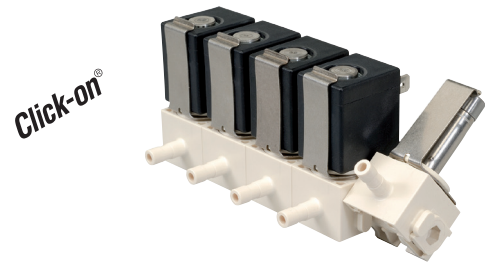


# 8590440

## 3/2-way seat valves (interlinked)

- > Port size: DN 2,2
- > Solenoid interchangeable without tools (*Click-on*<sup>®</sup>)
- > Valve operates without differential pressure
- > Manifold and easy interlinked
- > For the use with standard push in fittings
- > Good corrosion resistance
- > Increased service life
- > Low maintenance
- > International approvals



### Technical features

**Medium:**

Neutral gases and liquids

**Switching function:**

Normally closed

**Version:**

Directly solenoid actuated

**Mounting position:**

Preferably solenoid vertical on top, other positions on request

**Flow direction:**

Determined

**Port size:**

Standard (Tube push-in fitting)

 $\varnothing$  6 mm

(O/D 6 mm, I/D 4 mm)

 OD tube tolerance  $\pm$  0,1 mm

**Operating pressure:**

0 ... 16 bar (0 ... 232 psi)

**Fluid temperature:**

0 ... +125°C (+32 ... +257°F)

**Ambient temperature:**

0 ... +50°C (+32 ... +122°F)

**Material:**

Body: PPSU (Polyphenylsulfon)

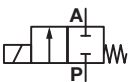
Seat seal: EPDM

Internal parts: Stainless steel

**Components made of PPSU do not come into contact with the following media:**

acetone, ether, ketones, aromatic hydrocarbons, chlorinated hydrocarbons, oxidising acids and anaerobic adhesives

### Technical data – standard models

Symbol	Port size outside/inside (mm)	Orifice (mm)	Flow kv value *1) (m <sup>3</sup> /h)	Operating pressure *2) (bar)	(psi)	Weight *3) (kg)	Model
	6/4	2,2	0,12	0 ... 16	0 ... 232	0,10	8590440.9837.xxxxx

xxxxx Please insert voltage and frequency codes

\*1) Cv-value (US) = kv value x 1,2

 \*2) For gases and liquid fluids up to 25 mm<sup>2</sup>/s (cSt)

\*3) Valve only

**Option selector**

Orifice (mm)	Substitute
2,2	<b>440</b>

**8590\*\*\*.9837.\*\*\*\*\***

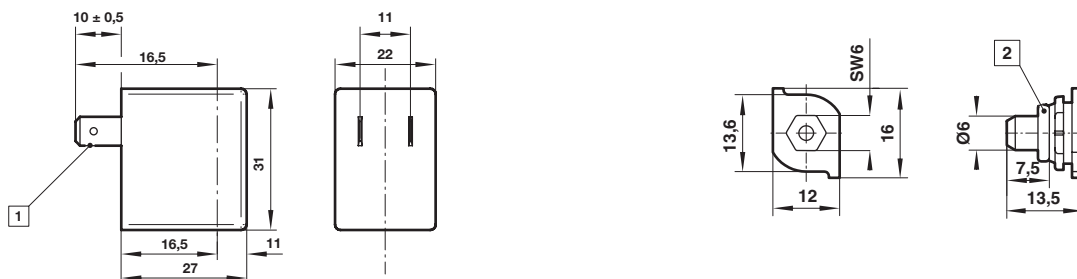
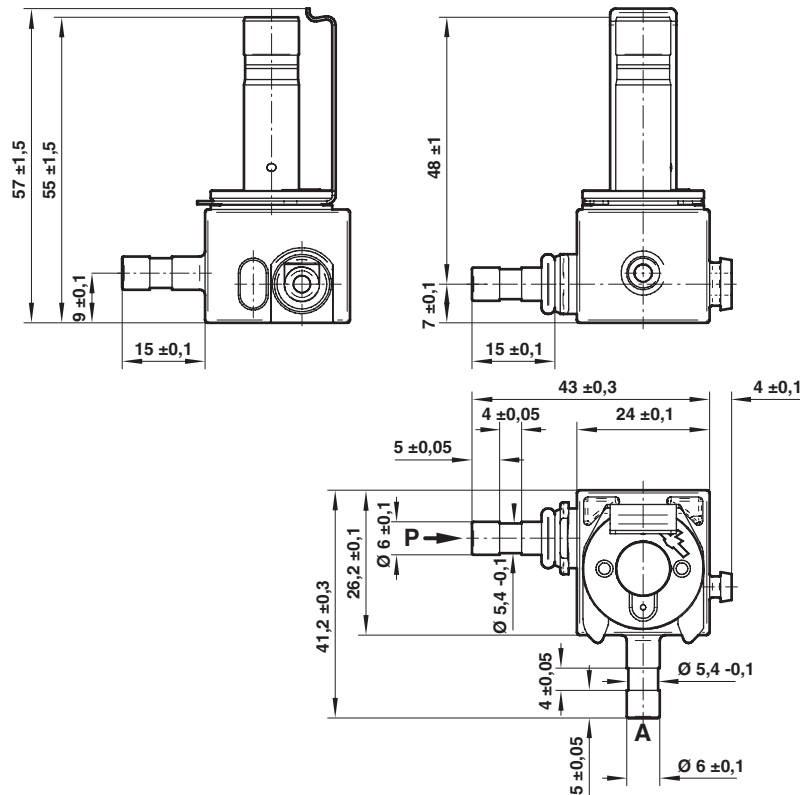
Frequency	Substitute
See table frequency codes	<b>xx</b>
Voltage	Substitute
See voltage codes	<b>xxx</b>
Solenoid options	Substitute
Voltage 24 V d.c. d.c. 11 W Voltage range +0% / -5% Duty cycle 50% ED 1 min SD Terminals 6,3 x 0,8 Protection class IP 00	<b>9837</b>

Design acc. to DIN VDE 0580

**Further versions on request!**
**Electrical details for all solenoid systems**

According to DIN VDE 0580 at a solenoid temperature of +20°C.  
 At operating state temperature the input power of a coil decreases by up to ca. 30% due to physical reasons.

**Dimensions**
**8590440.9837.02400**

 Dimensions in mm  
 Projection/First angle

**Recommendation:**

- Max. 7 valves interlinked
- Please fix interlinked manifold at the beginning and at the end with screw

- 1 Terminals 6,3 x 0,8 mm
- 2 Plug (1711891)  
Please use the O-Ring (No. 12 734 43) from the first valve station or order it separately.

**Note to Pressure Equipment Directive (PED):**

The valves of this series are according to Art. 4 § 3 of the Pressure Equipment Directive (PED) 2014/68/EU. This means interpretation and production are in accordance to engineers practice wellknown in the member countries. The CE-sign at the valve does not refer to the PED. Thus the declaration of conformity is not longer applicable for this directive.

**Note to Electromagnetic Compatibility Guideline (EEC):**

The valves shall be provided with an electrical circuit which ensures the limits of the harmonised standards EN 61000-6-3 and EN 61000-6-1 are observed, and hence the requirements of the Electromagnetic Compatibility Guideline (2014/30/EU) satisfied.

**Note to EAC marking:**

The EAC-marked products comply with the applicable requirements stated in the technical regulations of the Eurasian Economic Union.