



- **Robust custom designed modules with IP65 rating***
- **Compatible with Norgren system Valve Islands**
- **Available with all major protocols**
- **Remote output facility**

* Except when used with Nugget 30 Valve Islands (IP40)



Technical Data

Indication:

- Red LED Power on
- Green LED System running

Connection:

- As defined by principle protocols or:
- 24V d.c. Power supply – M12 3 pin
- Output to valve island – 25 way D type

Operating Temperature:

0 to +50°C

Vibration Tests:

To BS 2011 (IEC 68-2-6)

Degree of Protection:

- IP40 when used with Nugget 30
- IP65 when used with Nugget 40, Nugget 120 and Midi★Star system valves

EMC standards:

To EN50081-2 and EN50082-2

Materials:

Enclosure: compressed polyurethane foam with textured black paint finish

Ordering Information

To order quote model number from appropriate table, i.e. VE1DP00A-00160 for a PROFIBUS-DP output module.



General Information

Protocol	Number of outputs in each output Module	Number of inputs in each input Module	Bus Topology	System Configuration	Communication	Max Baud rate	Cable length at max baud rate	Number of units per installation	Addressing	Cable	Page No.
PROFIBUS-DP	16	16	Line	Max 3 masters Multi slaves	RS 485	1,2 Mbits/sec	200m or 1000m with repeater	Max 3 masters +121 slaves with repeaters	Range 1-125 by hand held addressing unit	2 wires + screen	6.4.020.04
INTERBUS-S	16	16	Ring	Single master Multi slaves	RS 422	500 kbits/sec	400m between modules. Max 13km for total bus	64 + master	Automatic or software configurable	4 wires + screen + ground	6.4.020.06
PROFIBUS-FMS	16	16	Line	Multi master Multi slaves	RS 485	500 kbits/sec	200m	63 incl. master and slaves with repeaters	Range 1-63 set by DIP switches	2 wires + screen	6.4.020.08
DeviceNet	16	16	Line	Multi master Multi slaves	CAN	500 kbits/sec	100m	64 nodes	Range 0-63 by DIP switches or over the network	4 wires + screen	6.4.020.10
JETWay-R	16	16	Line	Single master Multi slaves	RS 485	115,2 kbits/sec	1000m	62 + master	Range 1-63 set by DIP switches	2 wires + screen	6.4.020.12
Sysmac	16	16	Line	Single master Multi slaves	RS 485	187,5 kbits/sec	200m	32 + master 64 with repeaters	Range 0-31 set by DIP switches	2 wires + screen	6.4.020.14
PneuBus	16	16	Line	Single master Multi slaves	RS 485	19,2 kbits/sec	1200m	1 master +31 slaves 190 0 + 190 I	Range 64-254 set by DIP switches	2 wires + screen	6.4.020.16

System Protection

Valves and Connectors in Modules	IP40 protection class	IP65 protection class
Nugget/Super 30	Via cable	Not possible
Nugget/Super 40	Integral	Integral
Nugget/Super 120	Integral	Integral
Midi★Star	Via cable	Via cable with round plug

Accessories

Symbol	Description	Connection size	Straight/Elbow	Cable Length (metres)	Part Number	Protocol †	Page Number
	Power supply cable and plug for Fieldbus input and output modules, open end						
	3 pin, dual key connector	M12	Straight	1	VE1FBCPS-M1210	A	6.4.020.18
	3 pin, dual key connector	M12	Straight	3	VE1FBCPS-M1230	A	6.4.020.18
	3 pin, dual key connector	M12	Straight	5	VE1FBCPS-M1250	A	6.4.020.18
	3 pin, dual key connector	M12	Elbow	1	VE1FBCPE-M1210	A	6.4.020.18
	3 pin, dual key connector	M12	Elbow	3	VE1FBCPE-M1230	A	6.4.020.18
	3 pin, dual key connector	M12	Elbow	5	VE1FBCPE-M1250	A	6.4.020.18
	Output M12 plug						
	Wireable 5 pin male – screw termination	M12	Straight	-	VE1FBCRS-M125P	A	6.4.020.18
	Output M12 plug and connecting cables for solenoid coils						
	5 pin plug to valve connection – Type C (15mm coil)	M12	Straight	0,3	VE1FBCSC-M1203	A	6.4.020.18
	5 pin plug to valve connection – Type C (15mm coil)	M12	Straight	1,0	VE1FBCSC-M1210	A	6.4.020.18
	5 pin plug to valve connection – Industrial (22mm coil)	M12	Straight	0,3	VE1FBCSB-M1203	A	6.4.020.18
	5 pin plug to valve connection – Industrial (22mm coil)	M12	Straight	1,0	VE1FBCSB-M1210	A	6.4.020.18
	5 pin plug to valve connection – Type A (32mm coil)	M12	Straight	0,3	VE1FBCSA-M1203	A	6.4.020.18
	5 pin plug to valve connection – Type A (32mm coil)	M12	Straight	1,0	VE1FBCSA-M1210	A	6.4.020.18
	5 pin plug to 2 valve connections – Type C (15mm coil)	M12	Straight	0,3	VE1FBCTC-M1203	A	6.4.020.18
	5 pin plug to 2 valve connections – Type C (15mm coil)	M12	Straight	1,0	VE1FBCTC-M1210	A	6.4.020.18
	5 pin plug to 2 valve connections – Industrial (22mm coil)	M12	Straight	0,3	VE1FBCTB-M1203	A	6.4.020.18
	5 pin plug to 2 valve connections – Industrial (22mm coil)	M12	Straight	1,0	VE1FBCTB-M1210	A	6.4.020.18
	5 pin plug to 2 valve connections – Type A (32mm coil)	M12	Straight	0,3	VE1FBCTA-M1203	A	6.4.020.18
	5 pin plug to 2 valve connections – Type A (32mm coil)	M12	Straight	1,0	VE1FBCTA-M1210	A	6.4.020.18



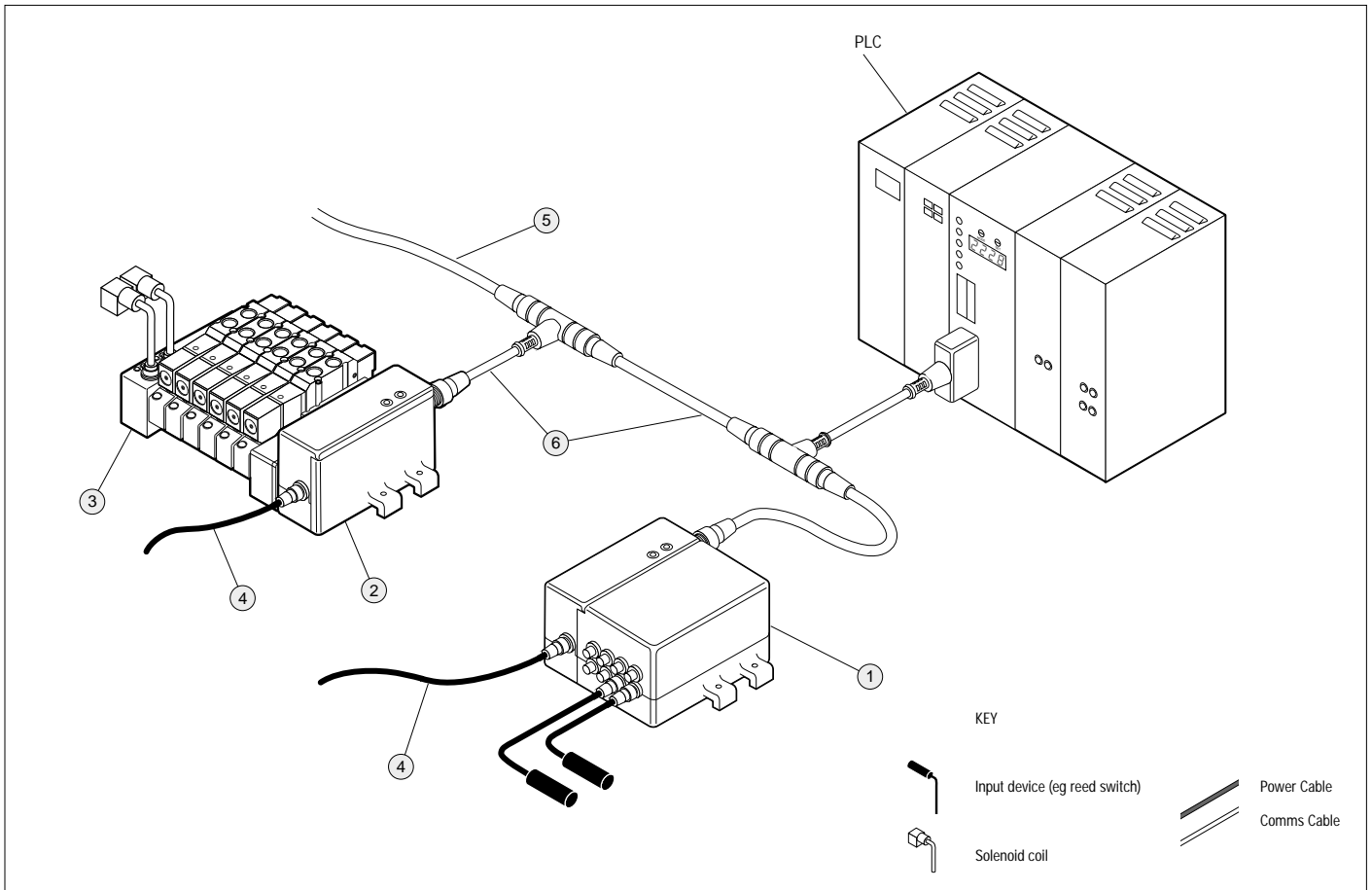
Accessories

Symbol	Description	Connection size	Straight/Elbow	Cable Length (metres)	Part Number	Protocol †	Page	
	Input M12 plug for sensors							
	Wireable 4 pin male – solder termination	M12	Straight	-	VE1FBCRS-M124P	A	6.4.020.19	
	Input M12 connecting cable plug and cable assemblies for sensors							
	3 pin plug to 3 pin socket	M12/Ø8	Straight/Straight	1	VE1FBC8S-M1210	A	6.4.020.19	
	3 pin plug to 3 pin socket	M12/Ø8	Straight/Straight	3	VE1FBC8S-M1230	A	6.4.020.19	
	3 pin plug to 3 pin socket	M12/Ø8	Straight/Straight	5	VE1FBC8S-M1250	A	6.4.020.19	
	3 pin plug to 3 pin socket	M12/Ø8	Straight/Elbow	1	VE1FBC8E-M1210	A	6.4.020.19	
	3 pin plug to 3 pin socket	M12/Ø8	Straight/Elbow	3	VE1FBC8E-M1230	A	6.4.020.19	
	3 pin plug to 3 pin socket	M12/Ø8	Straight/Elbow	5	VE1FBC8E-M1250	A	6.4.020.19	
	4 pin plug to 4 pin socket	M12/M12	Straight/Straight	1	VE1FBC0S-M1210	A	6.4.020.19	
	4 pin plug to 4 pin socket	M12/M12	Straight/Straight	3	VE1FBC0S-M1230	A	6.4.020.19	
	4 pin plug to 4 pin socket	M12/M12	Straight/Straight	5	VE1FBC0S-M1250	A	6.4.020.19	
		Communication cable, for line in/line out						
		Male 4 pin dual key to female 4 pin dual key	M12/M12	Straight/Straight	0,3	VE1FBCMS-M1203	B	6.4.020.20
Male 4 pin dual key to female 4 pin dual key		M12/M12	Straight/Straight	5	VE1FBCMS-M1250	B	6.4.020.20	
Male 4 pin dual key to female 4 pin dual key		M12/M12	Straight/Straight	10	VE1FBCMS-M1299	B	6.4.020.20	
Male 4 pin dual key to female 4 pin dual key		M12/M12	Elbow/Elbow	0,3	VE1FBCME-M1203	B	6.4.020.20	
Male 4 pin dual key to female 4 pin dual key		M12/M12	Elbow/Elbow	5	VE1FBCME-M1250	B	6.4.020.20	
Male 4 pin dual key to female 4 pin dual key		M12/M12	Elbow/Elbow	10	VE1FBCME-M1299	B	6.4.020.20	
T-Drop cable								
Female/male 4 pin dual key T to female plug		M12	Straight	0,3	VE1FBCDS-M1203	B	6.4.020.20	
Female/male 4 pin dual key T to female plug	M12	Elbow	0,3	VE1FBCDE-M1203	B	6.4.020.20		
	Fieldbus to multipole, cable with plugs							
	Nugget 30 in IP40	D25	Straight	0,3	VE1FB02C-IP403	A	6.4.020.21	
	Midi★Star in IP40	D25	Straight	0,3	VE1FBMSC-IP403	A	6.4.020.21	
	Midi★Star in IP65	D25/MIL	Straight	0,3	VE1FBMSC-IP653	A	6.4.020.21	
	Blanking plug							
	For unused M12 connectors	M12			VE1FBCBK-M1200	A	6.4.020.21	
	DIN-Rail mounting kit for Fieldbus output and input modules							
	Nugget 40 manifold (V08) to output module				V10075-K31	A	6.4.020.21	
	Nugget 40 sub-base (V09) to output module				V10075-K32	A	6.4.020.21	
	DIN-Rail kit for standalone output modules (No kit required for use with Nugget 120)				V10075-K30	A	6.4.020.21	
	DIN-Rail kit for input modules				V10075-K30	A	6.4.020.21	
	Sub-base remote output modules							
	Nugget 40 endplate 2x2 outputs	M12			VE1MP09B-00400	A	6.4.020.21	
	Nugget 120 end plate 2x2 outputs	M12			VE1MP14B-00400	A	6.4.020.21	
	RS232 to RS 485 Converter							
					45401000	B	6.4.020.21	

Protocol † A = PROFIBUS-DP, INTERBUS-S, PROFIBUS-FMS, DeviceNet, JETWay-R, SYSMAC Bus, PneuBus
 B = PROFIBUS-FMS, SYSMAC Bus, JETWay-R, PneuBus



PROFIBUS-DP configuration



Key

Description	Part Number	Notes	See Page
1 PROFIBUS-DP Input module	VE1DP00A-16000	Free standing. 16 x4 pin female M12 Input connectors	6.4.020.05
2 PROFIBUS-DP Output module	VE1DP00A-00160	16 outputs to valve island	6.4.020.05
3 Remote output module	VE1MP09B-00400 VE1MP14B-00400	For V09 Series islands, 4 outputs (2 per M12 connector) For V14 Series islands, 4 outputs (2 per M12 connector)	6.4.020.21
4 Power cable	VE1FBCP*-M12XX	Cable with M12 male plug and open ends, 1, 3 or 5 metres	6.4.020.18
5 Communications cable	Local Stockist	To comply with PROFIBUS-DP standards DIN 19245 Part 3	N/A
6 Drop line cable	Local Stockist	12 pin male coninver (PROFIBUS-DP standard)	N/A

* E=Elbow; S=Straight XX= Cable length in 0,1 metres

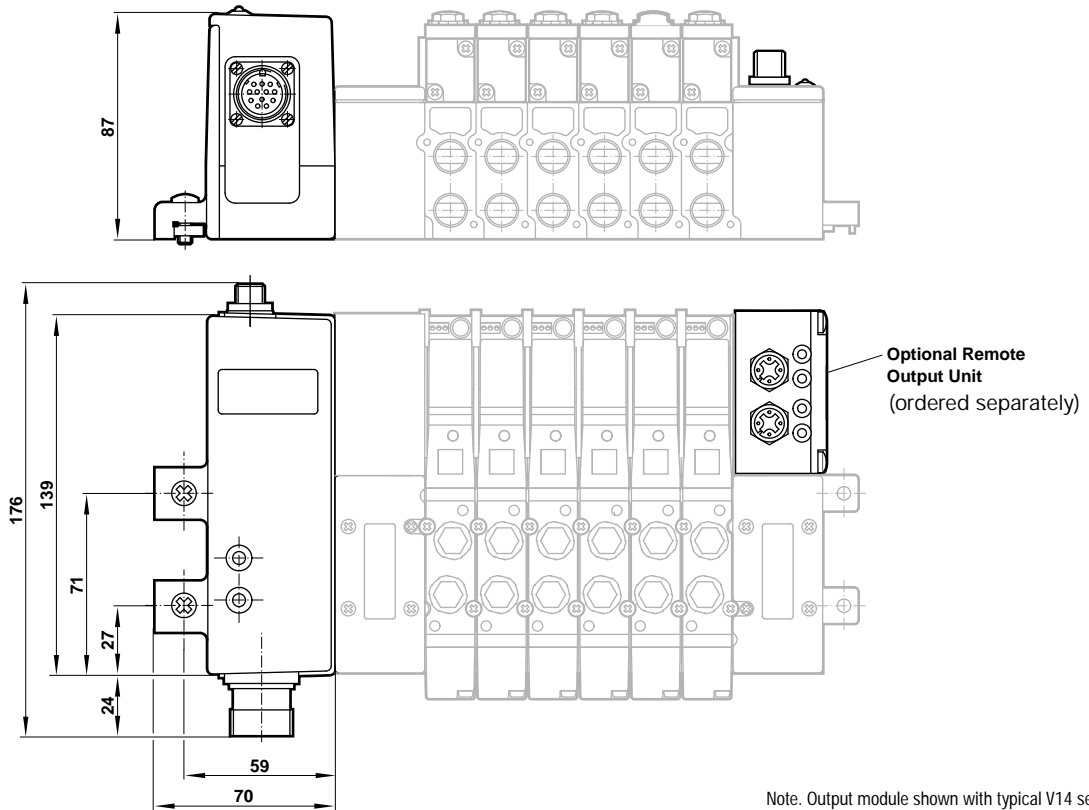
System Connections

	Connector Type	Notes
Input connectors	16 x4 pin female M12 single key	PNP or simple switch signal. Total current 500mA or 30mA per connector
PROFIBUS-DP connector	12 pin male Coninver (IP65)	See PROFIBUS-DP manual for pin configuration
Power connector	3 pin male M12 dual key	24V dc
Output connector to valve island	25 pin D-sub connector	24V dc outputs. Max 2W per output
Connectors for 2 x 2 remote output	2 x 5 pin female M12 single key	24V dc outputs. Max 2W per output

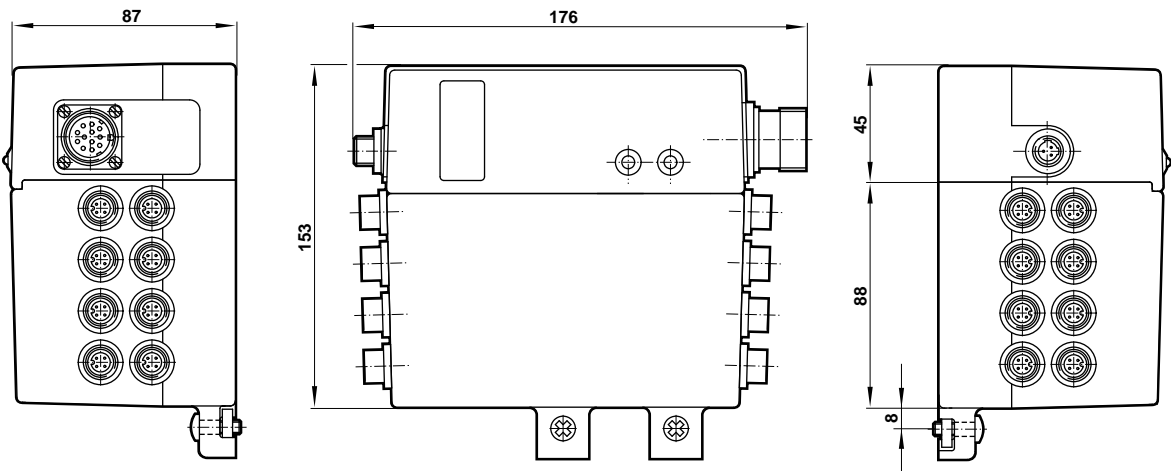
To order see page 6.4.020.02



**PROFIBUS-DP Output Module
VE1DP00A-00160**

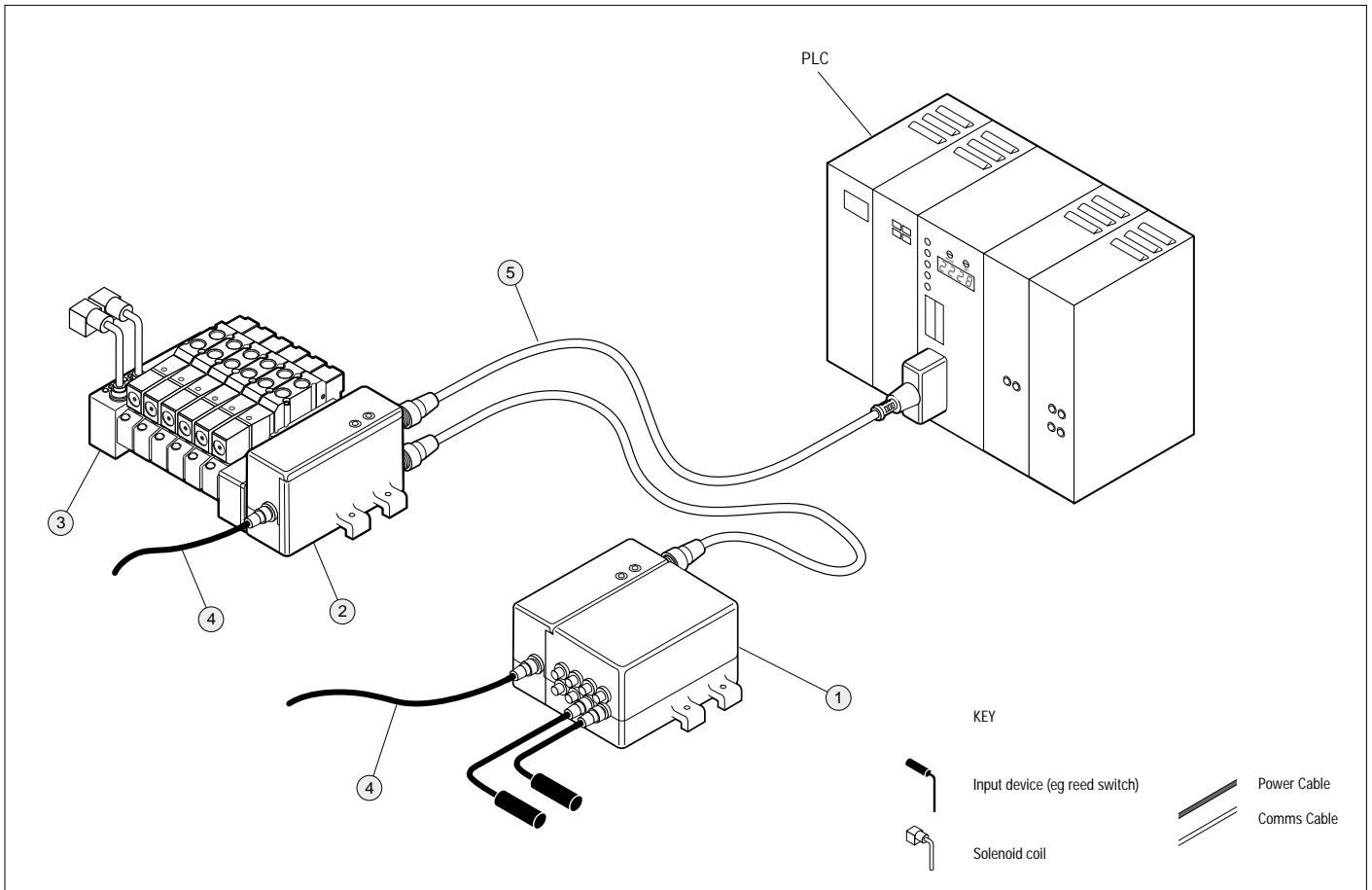


**PROFIBUS-DP Input Module
VE1DP00A-16000**





INTERBUS-S configuration



Key

Description	Part Number	Notes	See Page
1 INTERBUS-S input module	VE11B00A-16000	Free standing. 16 x4 pin female M12 Input connectors	6.4.020.07
2 INTERBUS-S output module	VE11B00A-00160	16 outputs to valve island	6.4.020.07
3 Remote output module	VE1MP09B-00400 VE1MP14B-00400	For V09 Series islands, 4 outputs (2 per M12 connector) For V14 Series islands, 4 outputs (2 per M12 connector)	6.4.020.21
4 Power cable	VE1FBCP*-M12xx	Cable with M12 male plug and open ends, 1, 3 or 5 metres	6.4.020.18
5 Communications cable	Local Stockist	9 pin male and female Coninver (INTERBUS-S standard)	N/A

* E=Elbow; S=Straight XX= Cable length in 0,1 metres

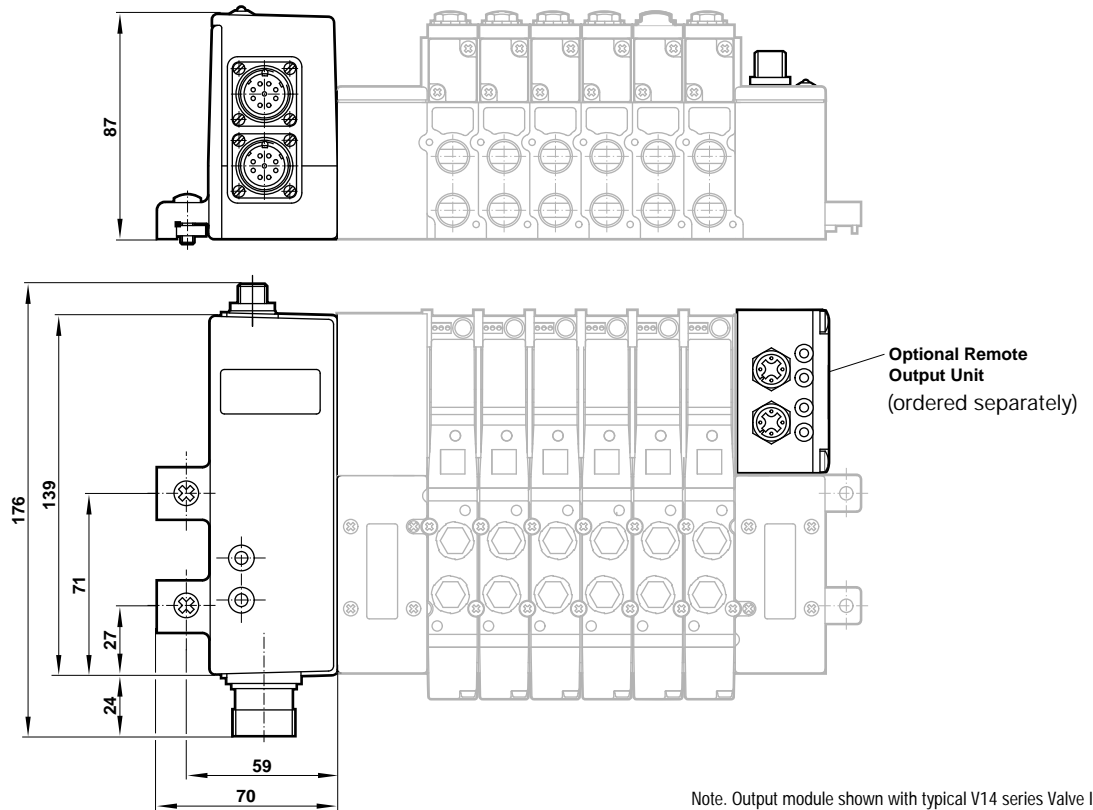
System Connections

	Connector Type	Notes
Input connectors	16 x4 pin female M12	PNP or simple switch signal. Total current 500mA or 30mA per connector
Line in connector	9 pin male Coninver (IP65)	See INTERBUS-S manual for pin configuration
Line out connector	9 pin female Coninver (IP65)	See INTERBUS-S manual for pin configuration
Power connector	3 pin male M12 dual key	24V dc
Output connector to Valve Island	25 pin D-sub connector	24V dc outputs. Max 2W per output
Connectors for 2 x 2 remote output	2 x 5 pin female M12 single key	24V dc outputs. Max 2W per output

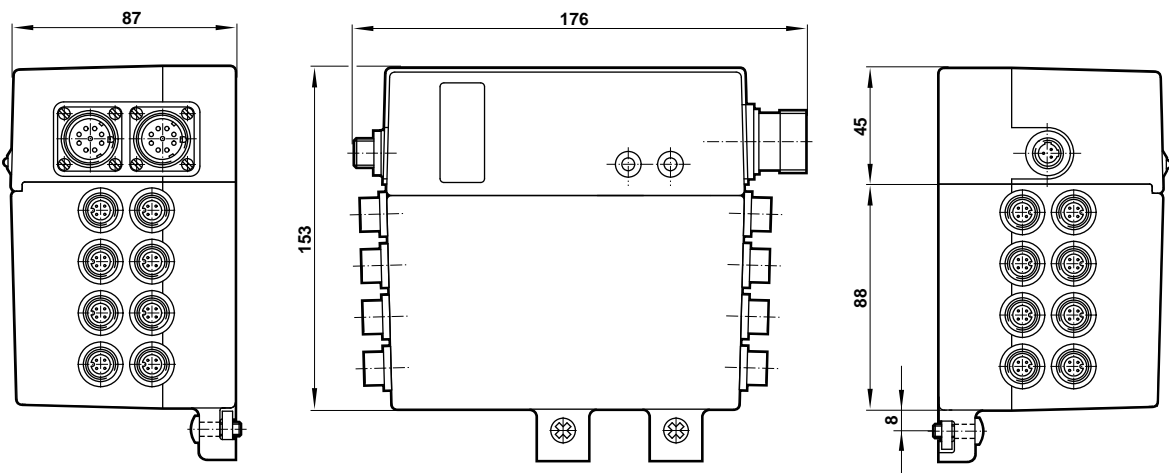
To order see page 6.4.020.02



**INTERBUS-S Output Module
VE1IB00A-00160**

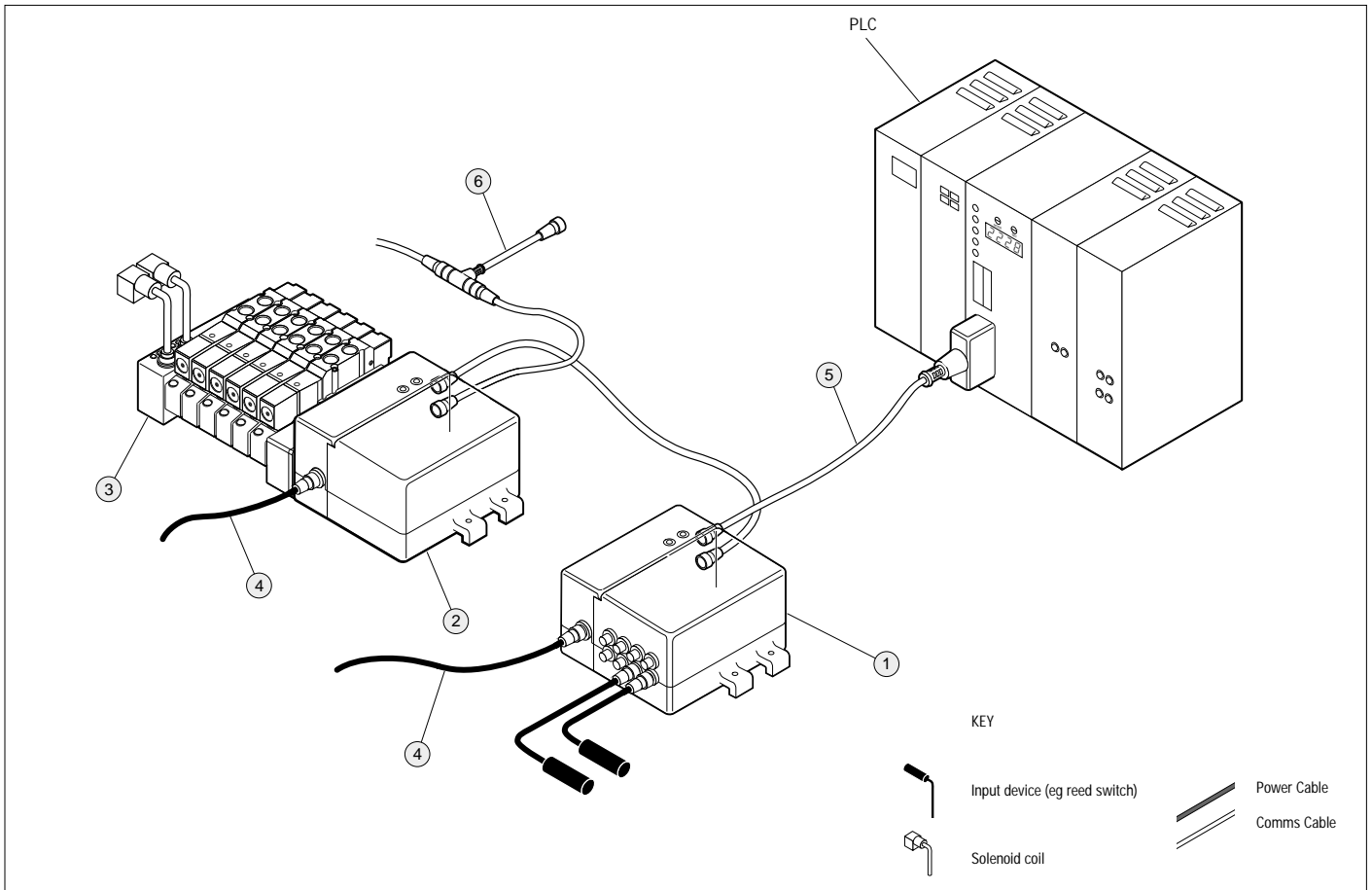


**INTERBUS-S Input Module
VE1IB00A-16000**





PROFIBUS-FMS configuration



Key

Description	Part Number	Notes	See Page
1 PROFIBUS-FMS Input module	VE1FM00A-16000	Free standing. 16 x4 pin female M12 Input connectors	6.4.020.09
2 PROFIBUS-FMS Output module	VE1FM00A-00160	16 outputs to valve island	6.4.020.09
3 Remote output module	VE1MP09B-00400 VE1MP14B-00400	For V09 Series islands, 4 outputs (2 per M12 connector) For V14 Series islands, 4 outputs (2 per M12 connector)	6.4.020.21
4 Power cable	VE1FBCP*-M12XX	24V dc. Cable with M12 male plug and open ends, 1, 3 or 5 metres	6.4.020.18
5 Communications cable	VE1FBCM*-M12XX	4 pin dual key female to male screen twisted pair 0,3, 5,0 and 10m	6.4.020.20
6 T-drop communications cable	VE1FBCD*-M1203	4 pin dual key female to male with 0,3m communication drop cable	6.4.020.20

* E=Elbow; S=Straight XX= Cable length in 0,1 metres

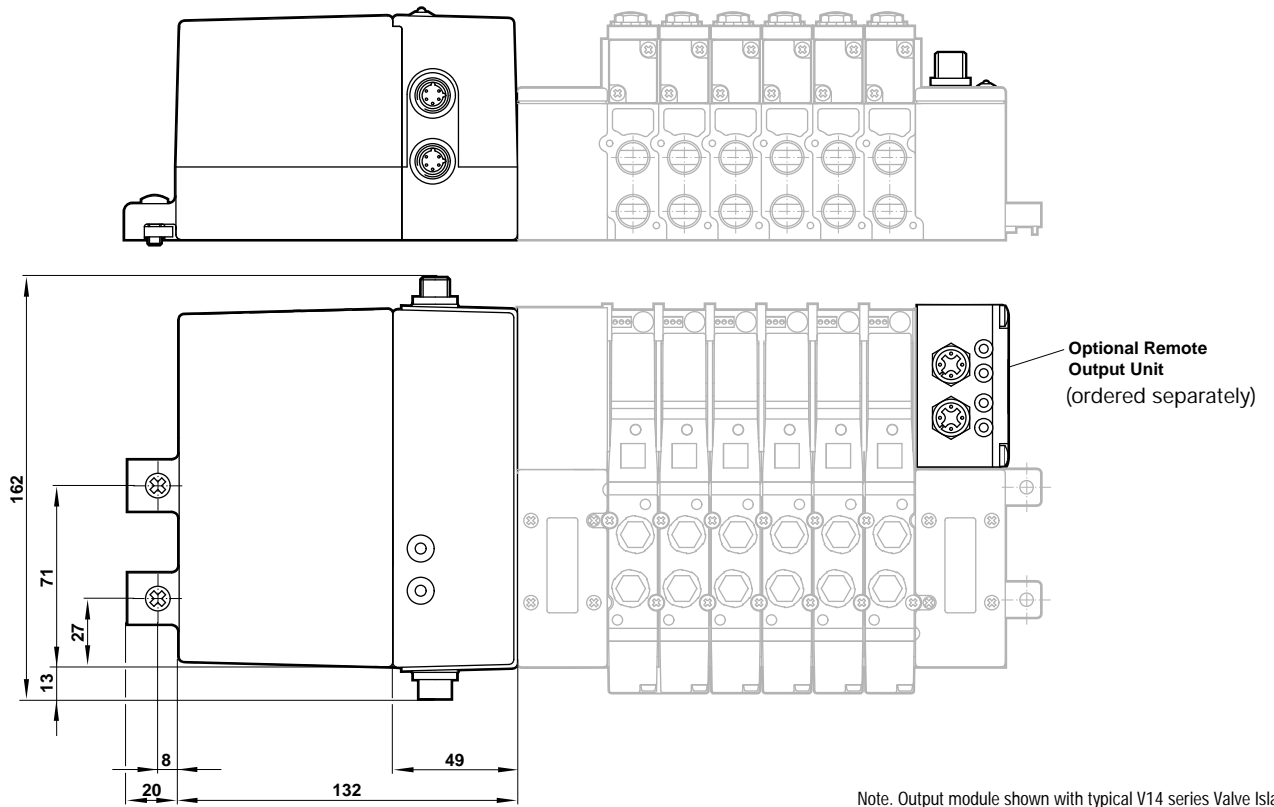
System Connections

	Connector Type	Notes
Input connectors	4 pin female M12 single key	PNP or simple switch signal. Total current 500mA or 30mA per connector
Line in connector	4 pin male M12 dual key	RS485 input – see manual for pin configuration
Line out connector	4 pin female M12 dual key	RS485 output – see manual for pin configuration
Power connector	3 pin male M12 dual key	24V dc
Output connector	25 pin D-sub connector	24V dc outputs. Max 2W per output
Connectors for 2x2 remote output	2 x 5 pin female M12 single key	24V dc outputs. Max 2W per output

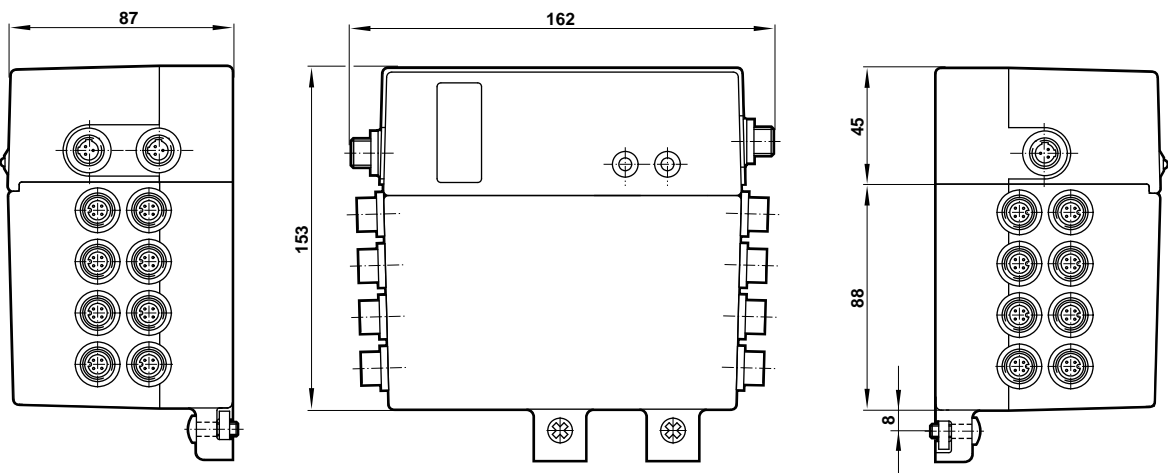
To order see page 6.4.020.02



**PROFIBUS-FMS Output Module
VE1FM00A-00160**

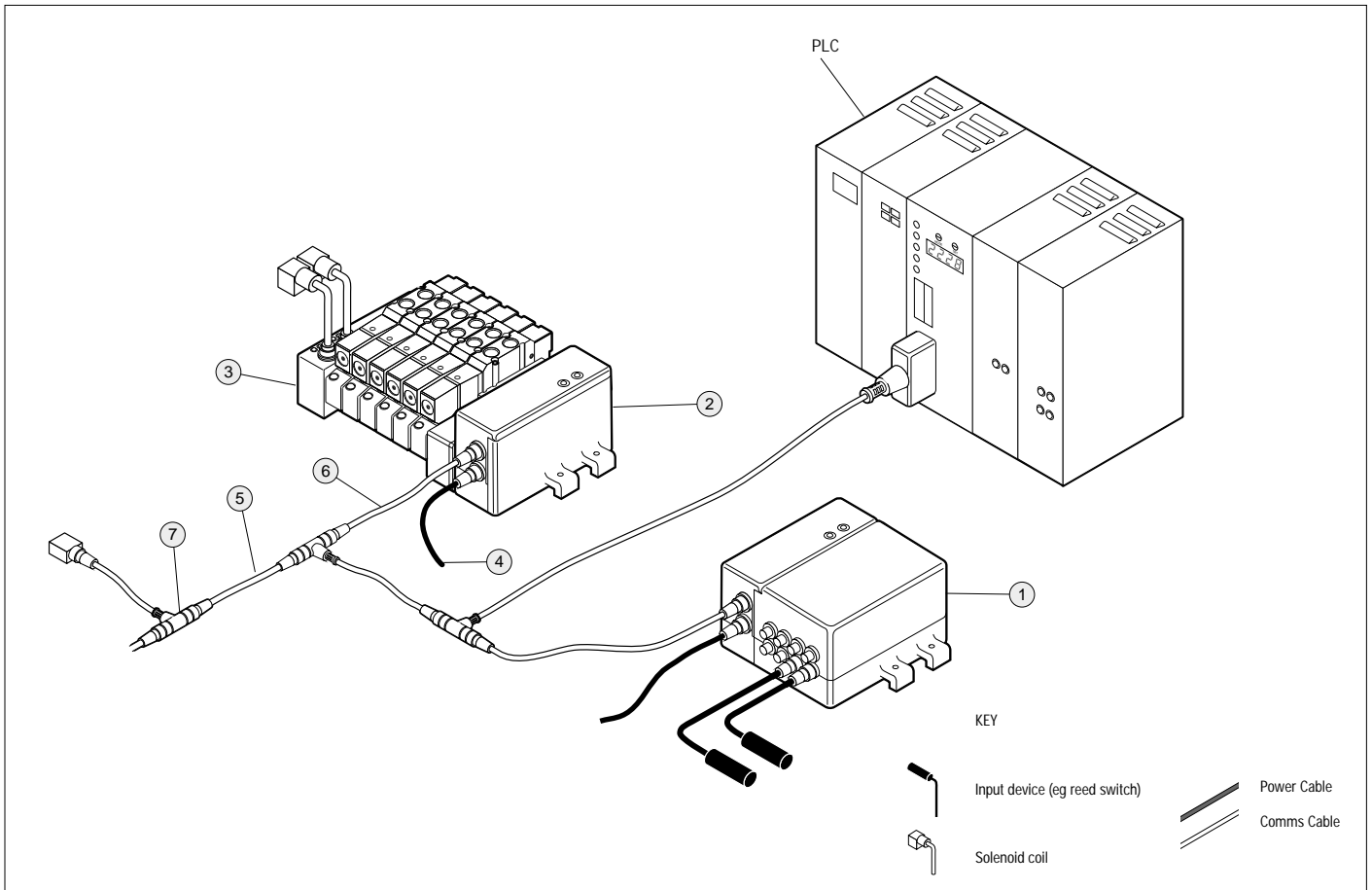


**PROFIBUS-FMS Input Module
VE1FM00A-16000**





DeviceNet configuration



Key

Description	Part Number	Notes	See Page
1 DeviceNet Input module	VE1DN00A-16000	Free standing. 16 x4 pin female M12 Input connectors	6.4.020.11
2 DeviceNet Output module	VE1DN00A-00160	16 outputs to valve island	6.4.020.11
3 Remote output module	VE1MP09B-00400 VE1MP14B-00400	For V09 Series islands, 4 outputs (2 per M12 connector) For V14 Series islands, 4 outputs (2 per M12 connector)	6.4.020.21
4 Power cable	VE1FBCP*-M12XX	Cable with M12 male plug and open ends, 1, 3 or 5 metres	6.4.020.18
5 Trunk cable	Local Stockist	To comply with DeviceNet standard	N/A
6 Drop line cable	Local Stockist		
7 Box or T-tap	Local Stockist		
8 Terminator	Local Stockist		

* E=Elbow; S=Straight XX= Cable length in 0,1 metres

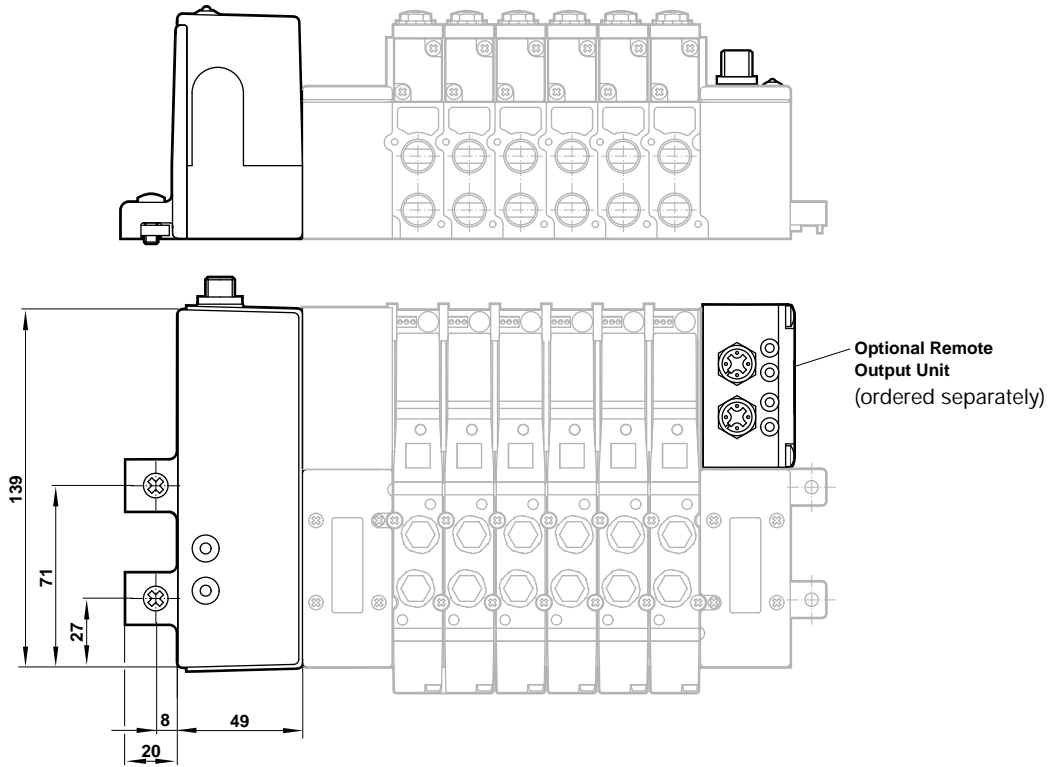
System Connections

	Connector Type	Notes
Input connectors	4 pin female M12x1 single key	PNP or simple switch signal. Total current 500mA or 30mA per connector
DeviceNet connector	5 pin male M12x1 single key	Standard DeviceNet Micro change connector
Power connector	3 pin male M12x1 dual key	24V dc
Output connector	25 pin D-sub connector	24V dc outputs. Max 2W per output
Connectors for 2 x 2 remote output	5 pin female M12x1 single key	24V dc outputs. Max 2W per output

To order see page 6.4.020.02

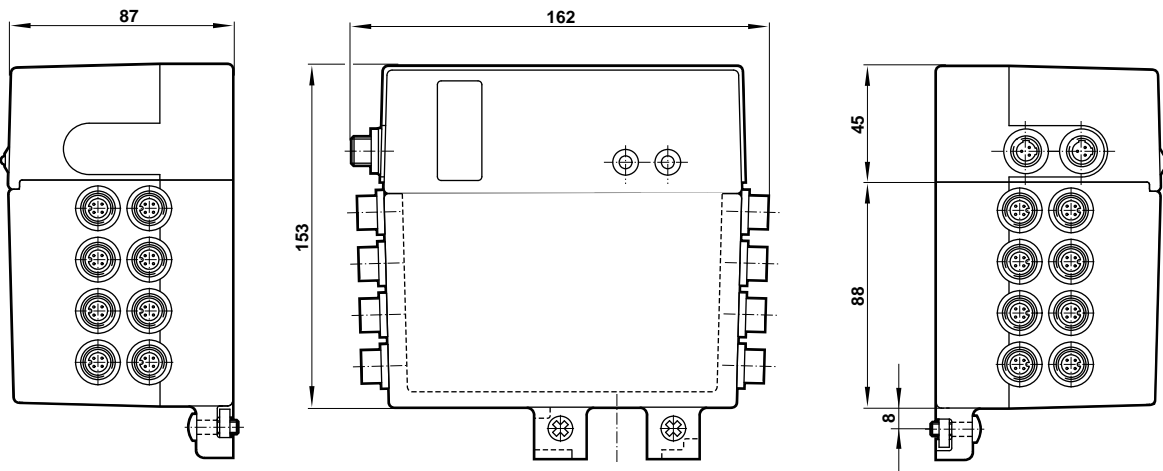


**DeviceNet Output Module
VE1DN00A-00160**



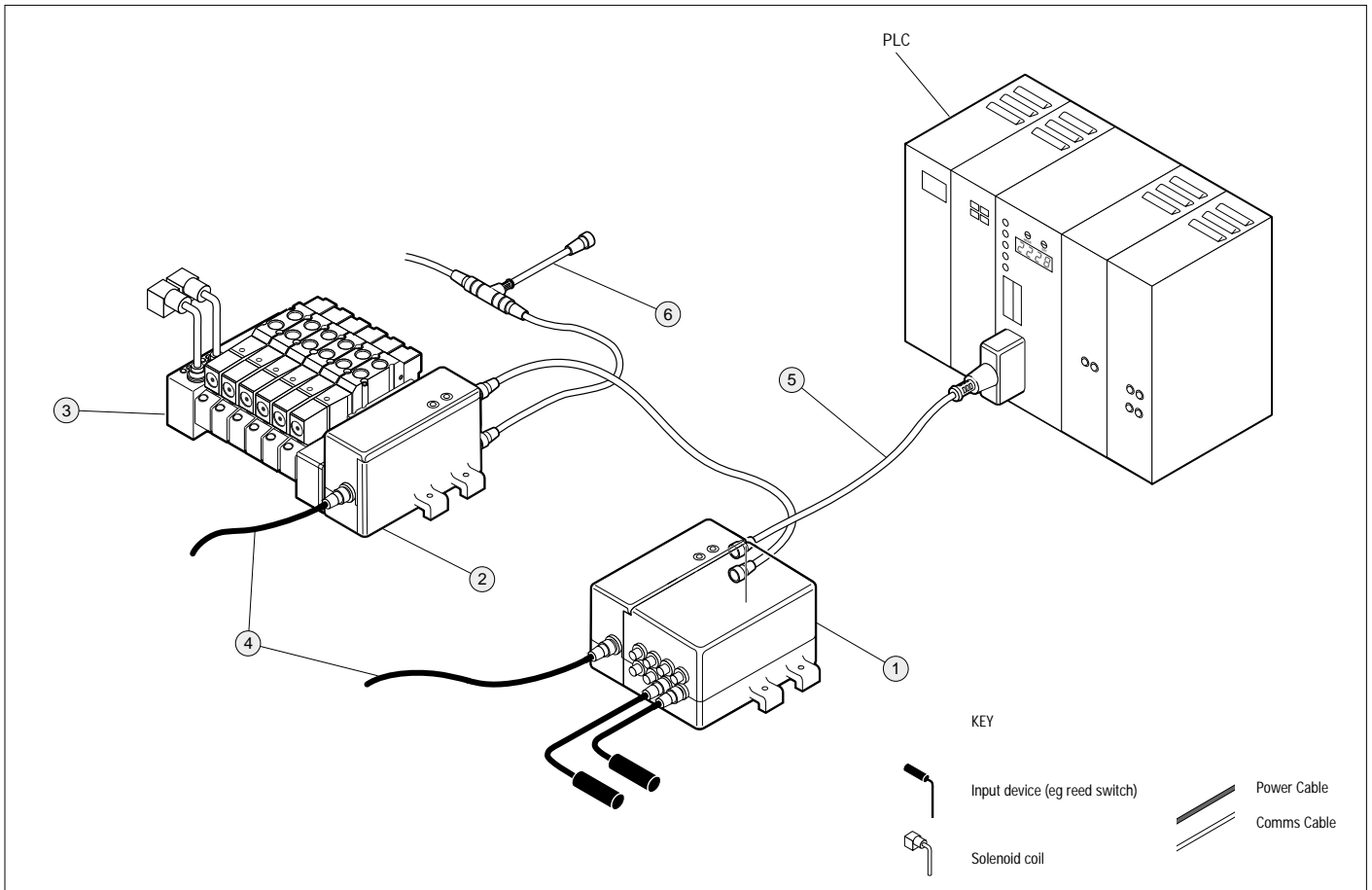
Note. Output module shown with typical V14 series Valve Island.

**DeviceNet Input Module
VE1DN00A-16000**





JETWay-R configuration



Key

Description	Part Number	Notes	See Page
1 JETWay-R input module	VE1JB00A-16000	Free standing. 16 x4 pin female M12 Input connectors	6.4.020.13
2 JETWay-R output module	VE1JB00A-00160	16 outputs to valve island	6.4.020.13
3 Remote output module	VE1MP09B-00400 VE1MP14B-00400	For V09 Series islands, 4 outputs (2 per M12 connector) For V14 Series islands, 4 outputs (2 per M12 connector)	6.4.020.21
4 Power cable	VE1FBCP*-M12XX	Cable with M12 male plug and open ends, 1, 3 or 5 metres	6.4.020.18
5 Communications cable	VE1FBCM*-M12XX	4 pin dual key female to male screen twisted pair 0,3, 5,0 and 10 metres	6.4.020.20
6 T-drop Communications cable	VE1FBCD*-M1203	4 pin dual key female to male with 0,3m communication drop cable	6.4.020.20

* E=Elbow; S=Straight XX= Cable length in 0,1 metres

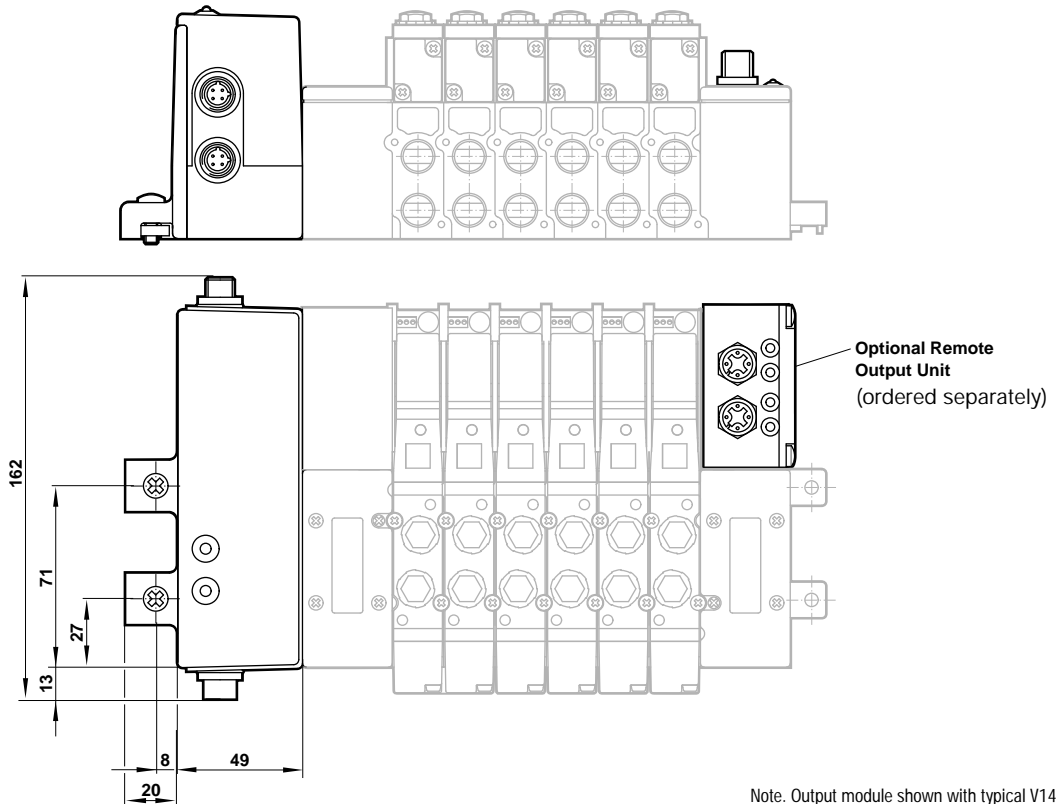
System Connections

	Connector Type	Notes
Input connectors	4 pin female M12 single key	PNP or simple switch signal. Total current 500mA or 30mA per connector
Line in connector	4 pin male M12 dual key	RS485 input – see manual for pin configuration
Line out connector	4 pin female M12 dual key	RS485 output – see manual for pin configuration
Power connector	3 pin male M12 dual key	24V dc
Output connector	25 pin D-sub connector	24V dc outputs. Max 2W per output
Connectors for 2 x 2 remote output	2 x 5 pin female M12 single key	24V dc outputs. Max 2W per output

To order see page 6.4.020.02

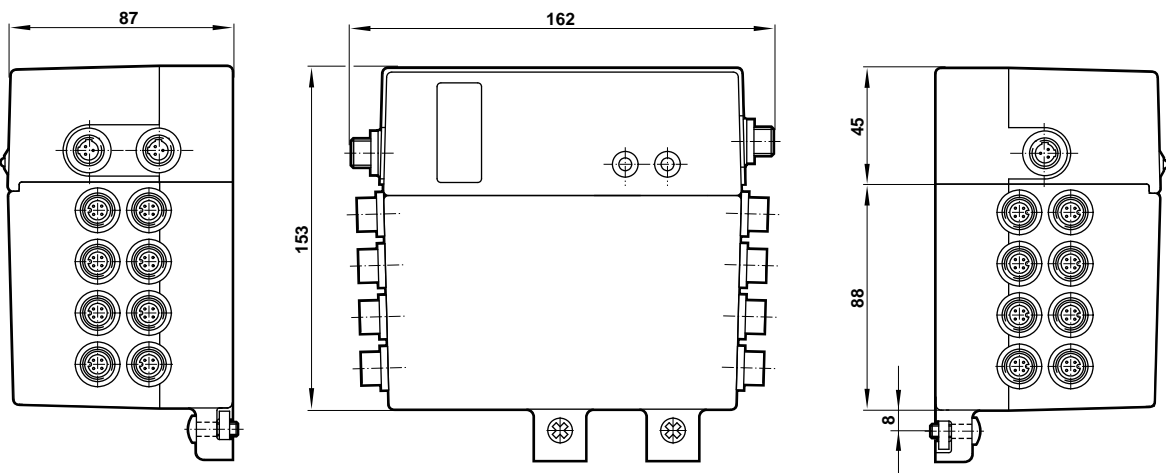


JETWay-R Output Module
VE1JB00A-00160



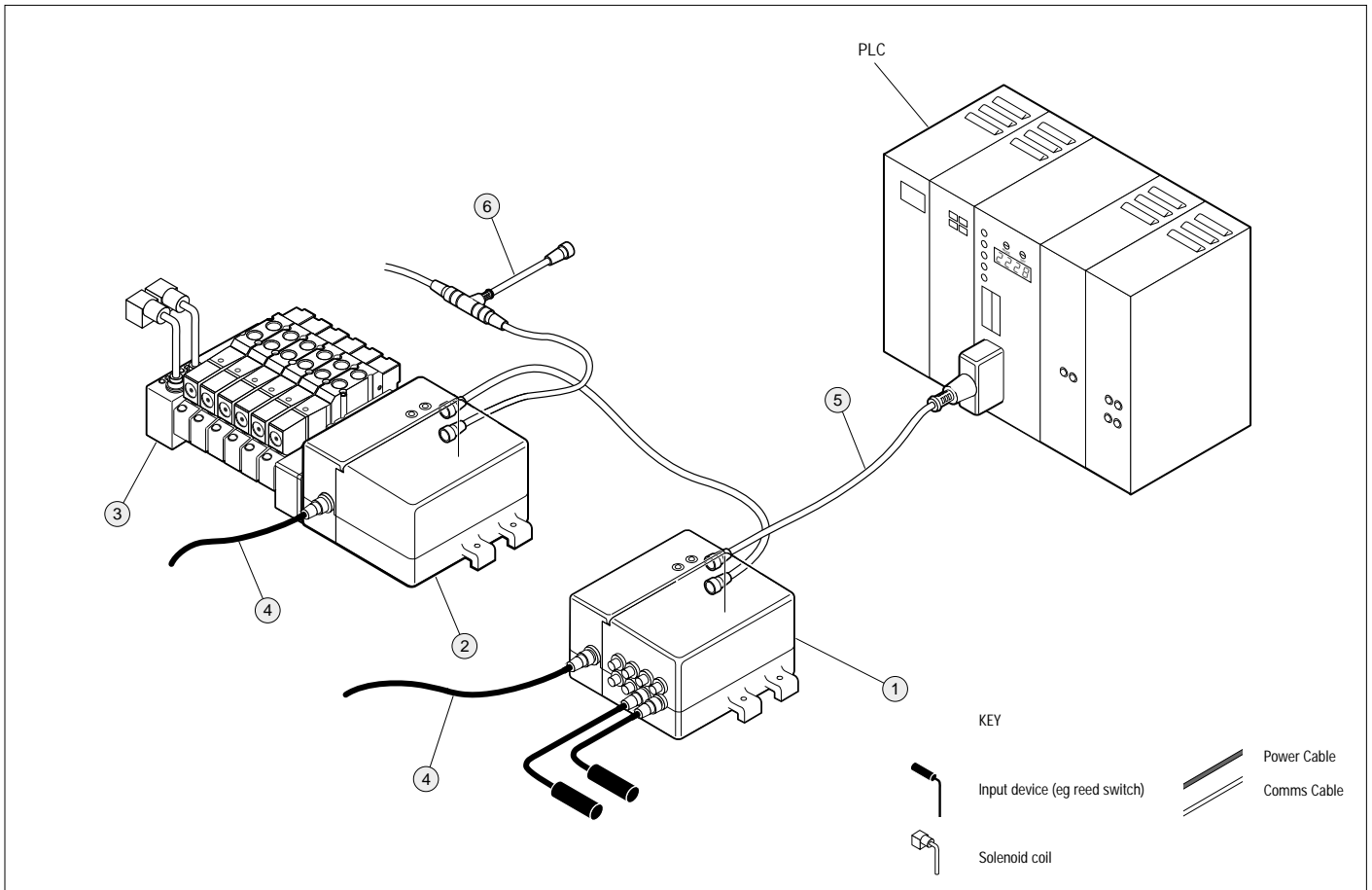
Note. Output module shown with typical V14 series Valve Island.

JETWay-R Input Module
VE1JB00A-16000





SYSMAC Bus configuration



Key

Description	Part Number	Notes	See Page
1 Sysmac input module	VE1SY00A-16000	Free standing. 16 x4 pin female M12 Input connectors	6.4.020.15
2 Sysmac output module	VE1SY00A-00160	16 outputs to valve island	6.4.020.15
3 Remote output module	VE1MP09B-00400 VE1MP14B-00400	For V09 Series islands, 4 outputs (2 per M12 connector) For V14 Series islands, 4 outputs (2 per M12 connector)	6.4.020.21
4 Power cable	VE1FBCP*-M12XX	24V d.c. Cable with M12 male plug and open ends, 1, 3 or 5 metres	6.4.020.18
5 Communications cable	VE1FBCM*-M12XX	4 pin dual key female to male screen twisted pair 0,3, 5,0 and 10 metres	6.4.020.20
6 T-drop communications cable	VE1FBCD*-M1203	4 pin dual key female to male with 0,3m communication drop cable	6.4.020.20

* E=Elbow; S=Straight XX= Cable length in 0,1 metres

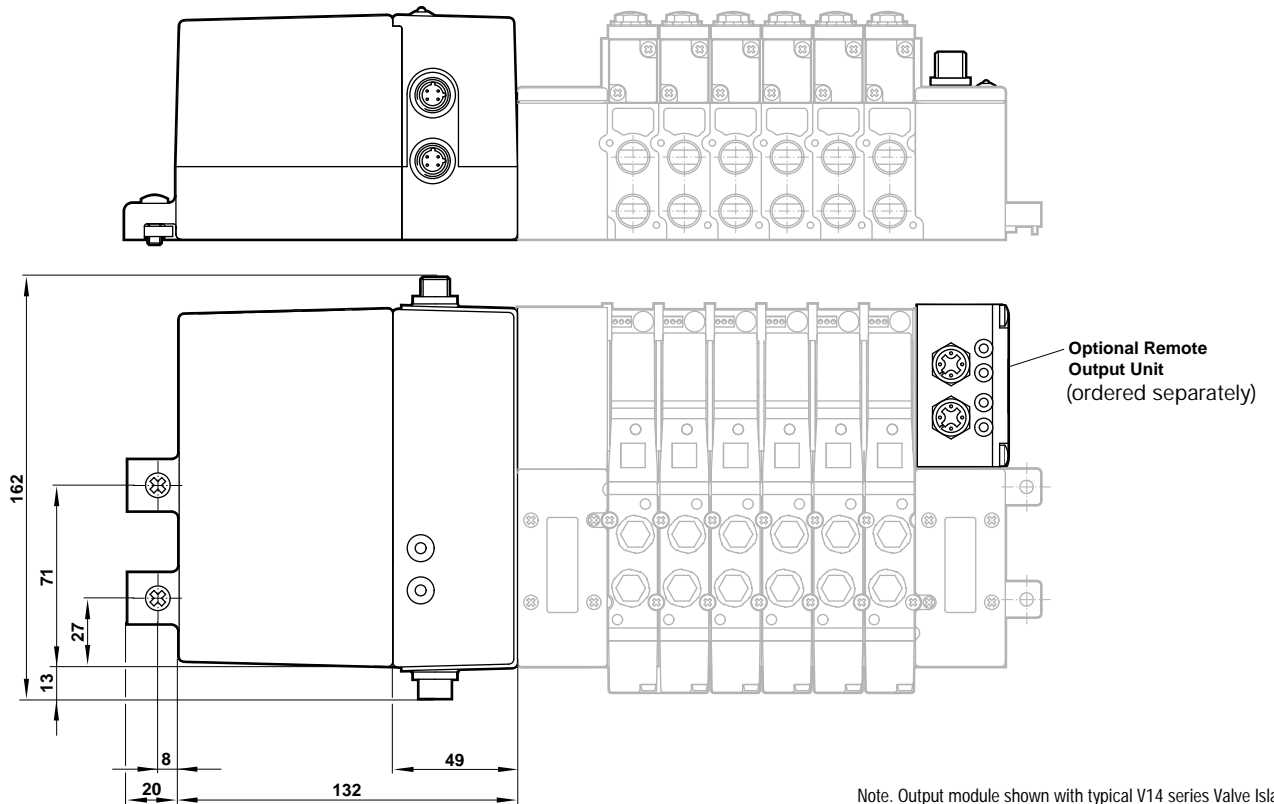
System Connections

	Connector Type	Notes
Input connectors	4 pin female M12 single key	PNP or simple switch signal. Total current 500mA or 30mA per connector
Line in connector	4 pin male M12 dual key	RS485 input – see manual for pin configuration
Line out connector	4 pin female M12 dual key	RS485 output – see manual for pin configuration
Power connector	3 pin male M12 dual key	24V dc
Output connector	25 pin D-sub connector	24V dc outputs. Max 2W per output
Connectors for 2 x 2 remote output	2 x5 pin female M12 single key	24V dc outputs. Max 2W per output

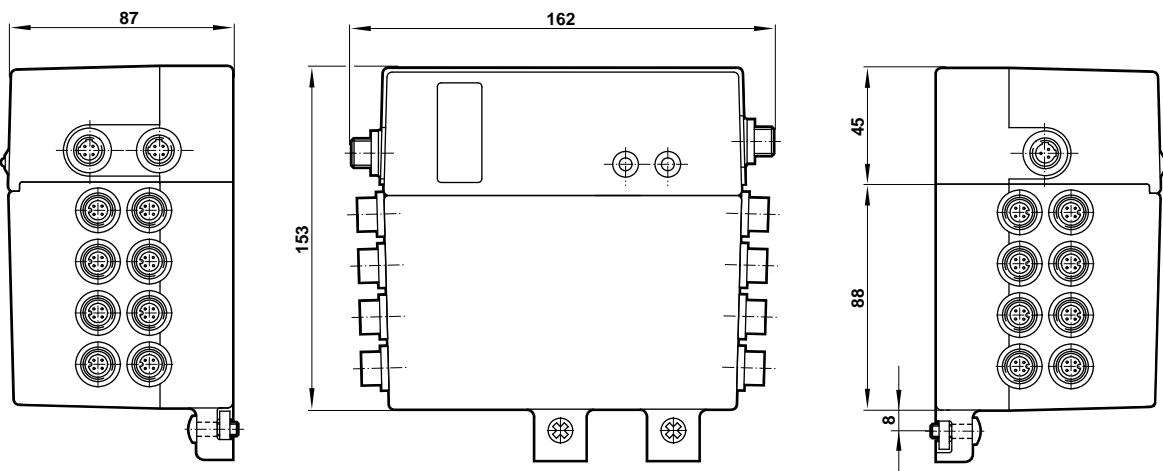
To order see page 6.4.020.02



**SYSMAC Bus Output Module
VE1SY00A-00160**

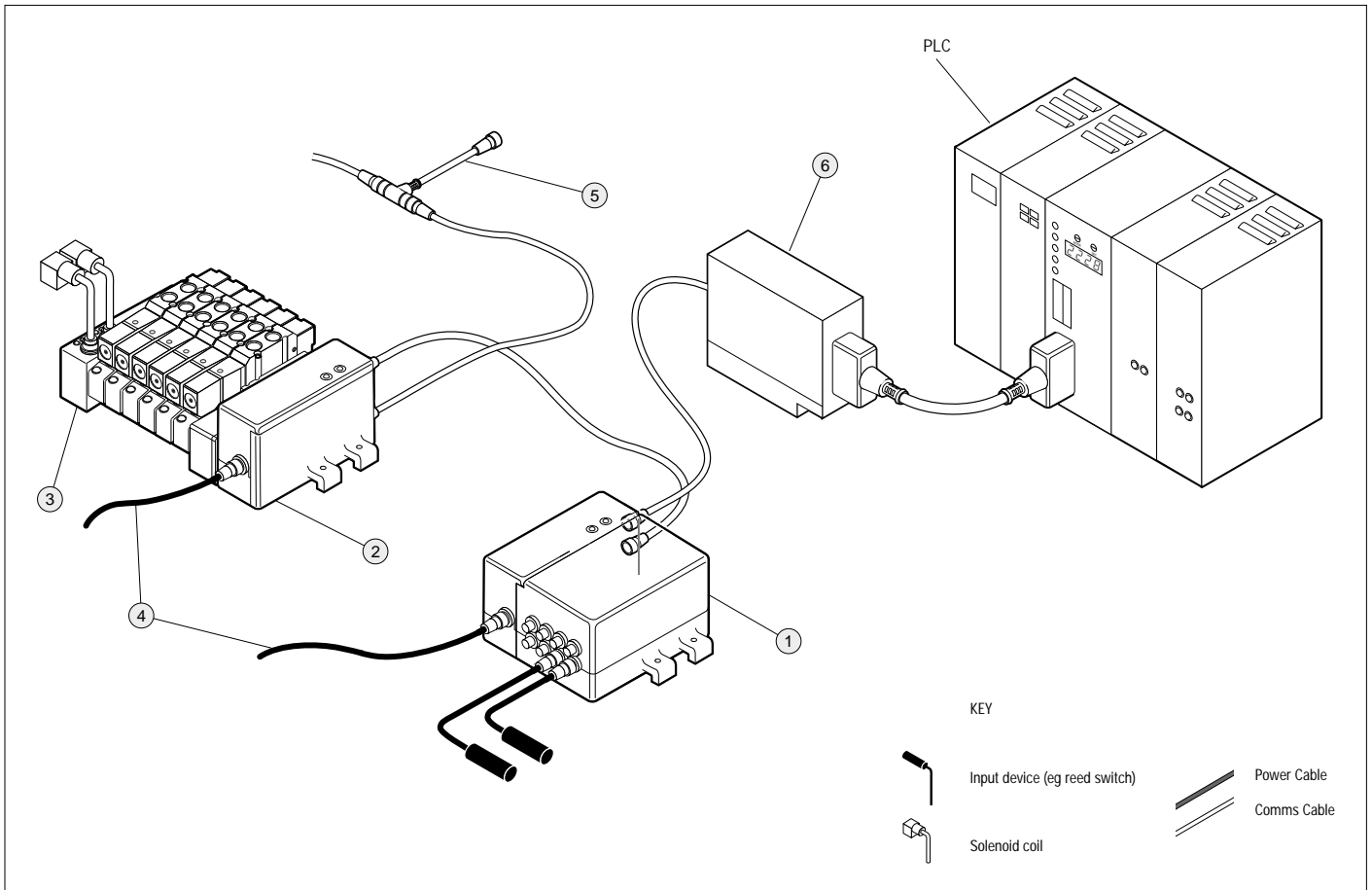


**SYSMAC Bus Input Module
VE1SY00A-16000**





PneuBus configuration



Key

Description	Part Number	Notes	See Page
1 PneuBus input module	VE1PB00A-16000	Free standing. 16 x4 pin female M12 Input connectors	6.4.020.17
2 PneuBus output module	VE1PB00A-00160	16 outputs to valve island	
3 Remote output module	VE1MP09B-00400 VE1MP14B-00400	For V09 Series islands, 4 outputs (2 per M12 connector) For V14 Series islands, 4 outputs (2 per M12 connector)	6.4.020.21
4 Power cable	VE1FBCP*-M12XX	24V dc. Cable with M12 male plug and open ends, 1, 3 or 5 metres	6.4.020.18
5 Communications cable	VE1FBCM*-M12XX	4 pin dual key female to male screen twisted pair 0,3, 5,0 and 10metres	6.4.020.20
6 RS 232 to RS 485 converter	45401000		6.4.020.20

* E=Elbow; S=Straight XX= Cable length in 0,1 metres

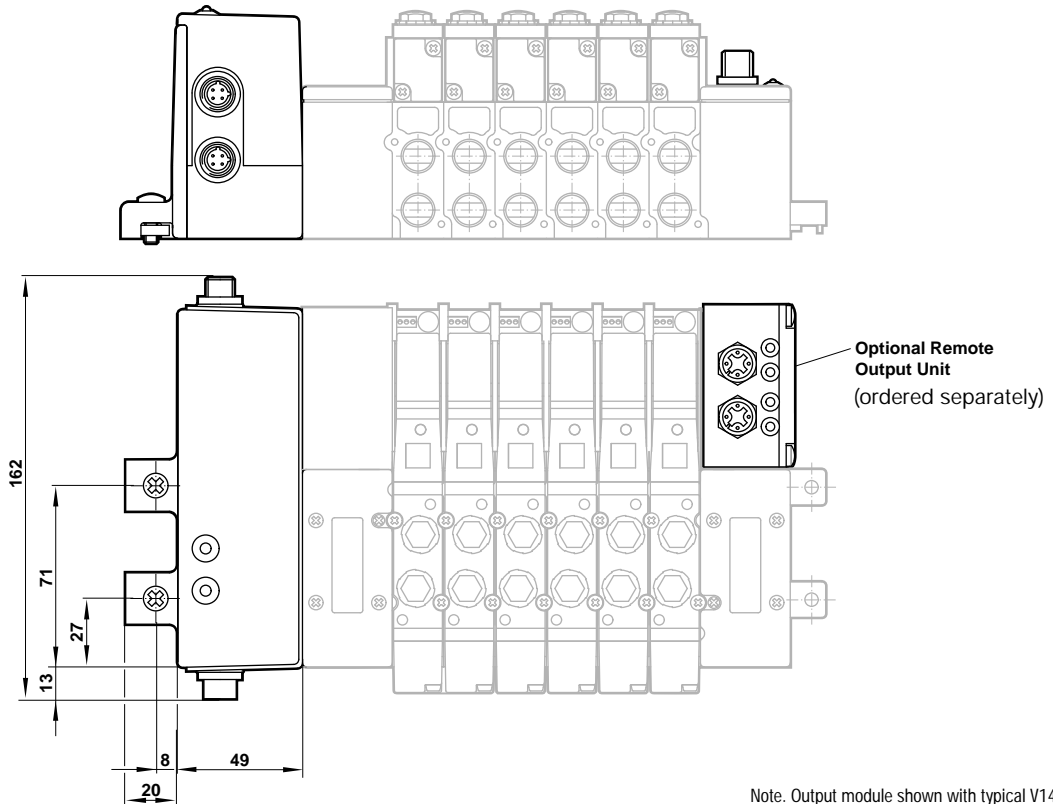
System Connections

	Connector Type	Notes
Input connectors	4 pin female M12 single key	PNP or simple switch signal. Total current 500mA or 30mA per connector
Line in connector	4 pin male M12 dual key	RS485 input – see manual for pin configuration
Line out connector	4 pin female M12 dual key	RS485 output – see manual for pin configuration
Power connector	3 pin male M12 dual key	24V dc
Output connector	25 pin D-sub connector	24V dc outputs. Max 2W per output
Connectors for 2 x 2 remote output	2 x 5 pin female M12 single key	24V dc outputs. Max 2W per output

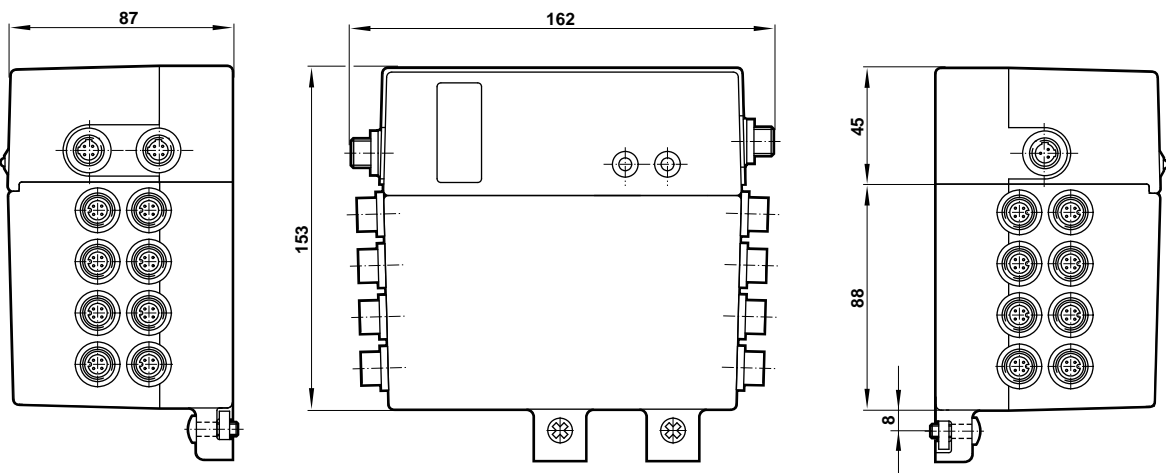
To order see page 6.4.020.02



**PneuBus Output Module
VE1PB00A-00160**



**PneuBus Input Module
VE1PB00A-16000**

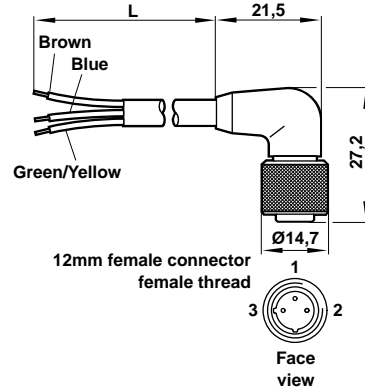
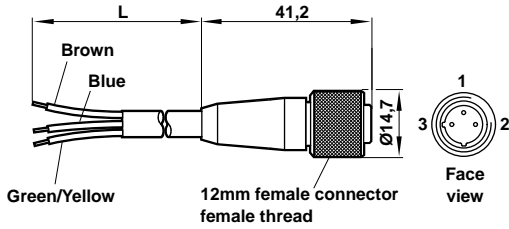




Power supply cable and plug for fieldbus input and output modules, open end

3 pin, dual key straight connector

3 pin, dual key elbow connector



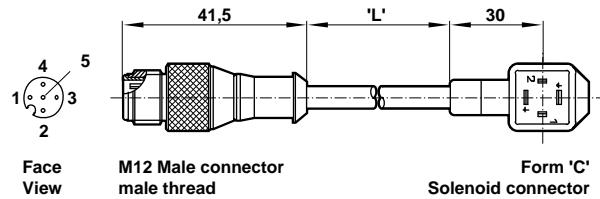
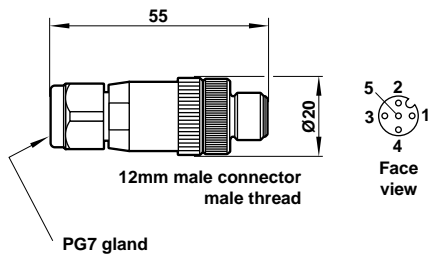
- VE1FBCPS-M1210 L = 1 metre length
- VE1FBCPS-M1230 L = 3 metre length
- VE1FBCPS-M1250 L = 5 metre length

- VE1FBCPE-M1210 L = 1 metre length
- VE1FBCPE-M1230 L = 3 metre length
- VE1FBCPE-M1250 L = 5 metre length

Output M12 plug and cable assemblies for solenoid coils

Wireable 5 pin male plug – screw termination

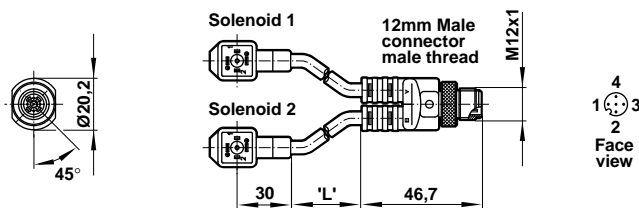
5 pin plug to valve connection



VE1FBCRS-M125P

- VE1FBCSC-M1203 L = 0,3 cable, Type 'C' connector
- VE1FBCSC-M1210 L = 1m cable, Type 'C' connector
- VE1FBCSB-M1203 L = 0,3 cable, Industrial connector
- VE1FBCSB-M1210 L = 1m cable, Industrial connector
- VE1FBCSA-M1203 L = 0,3 cable, Type 'A' connector
- VE1FBCSA-M1210 L = 1m cable, Type 'A' connector

5 pin plug to 2 valve connections



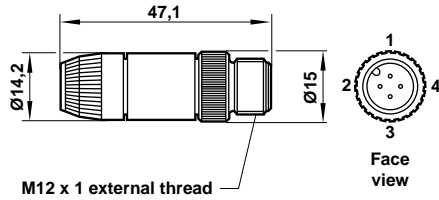
Form 'C' solenoid connector shown

- VE1FBCTC-M1203 L = 0,3 cable, Type 'C' connector
- VE1FBCTC-M1210 L = 1m cable, Type 'C' connector
- VE1FBCTB-M1203 L = 0,3 cable, Industrial connector
- VE1FBCTB-M1210 L = 1m cable, Industrial connector
- VE1FBCTA-M1203 L = 0,3 cable, Type 'A' connector
- VE1FBCTA-M1210 L = 1m cable, Type 'A' connector



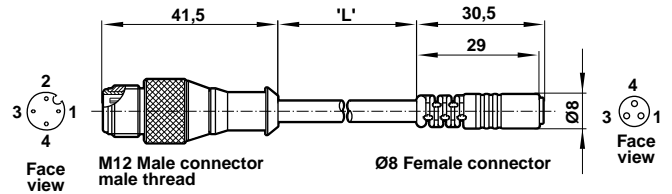
Input M12 plug and cable assemblies for sensors

Wireable 4 pin male – solder termination



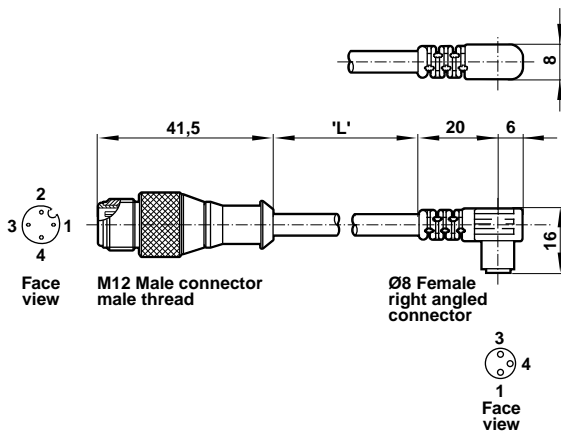
VE1FBCRS-M124P

3 pin plug to 3 pin socket – straight connectors



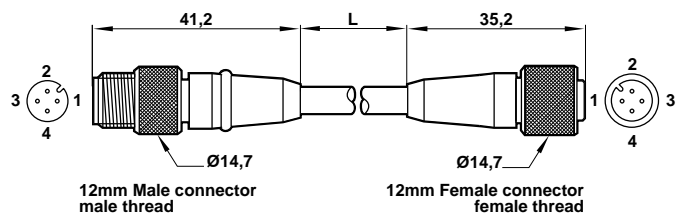
VE1FBC8S-M1210 L = 1 metre length
 VE1FBC8S-M1230 L = 3 metre length
 VE1FBC8S-M1250 L = 5 metre length

3 pin plug to 3 pin socket



VE1FBC8E-M1210 L = 1 metre length
 VE1FBC8E-M1230 L = 3 metre length
 VE1FBC8E-M1250 L = 5 metre length

4 pin plug to 4 pin socket straight connector

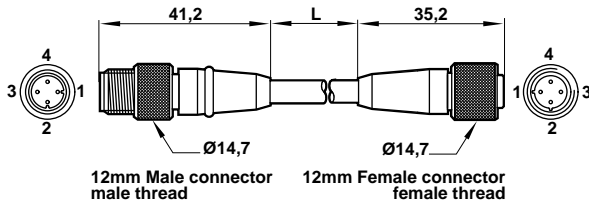


VE1FBC0S-M1210 L = 1 metre length
 VE1FBC0S-M1230 L = 3 metre length
 VE1FBC0S-M1250 L = 5 metre length



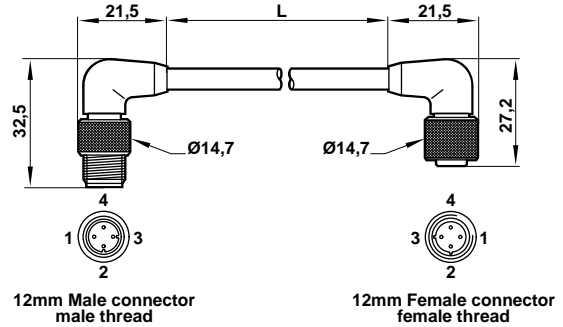
Communication cable, for line in/line out

Male 4 pin dual key to female straight connectors



- VE1FBCMS-M1203 L = 0,3 metre length
- VE1FBCMS-M1250 L = 5 metre length
- VE1FBCMS-M1299 L = 10 metre length

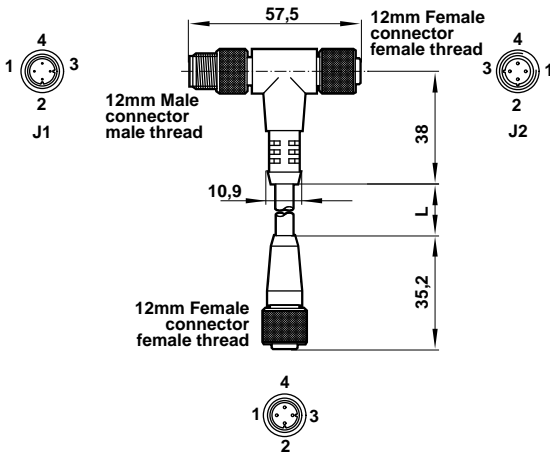
Male 4 pin dual key to female right angle connectors



- VE1FBCME-M1203 L = 0,3 metre length
- VE1FBCME-M1250 L = 5 metre length
- VE1FBCME-M1299 L = 10 metre length

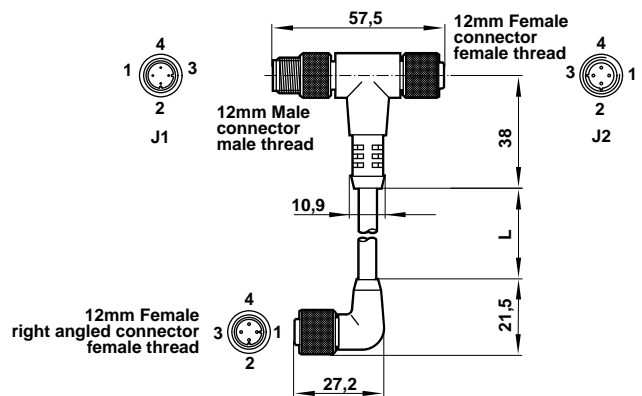
T-drop cable

Female/male 4 pin dual key T to female plug
Straight connector



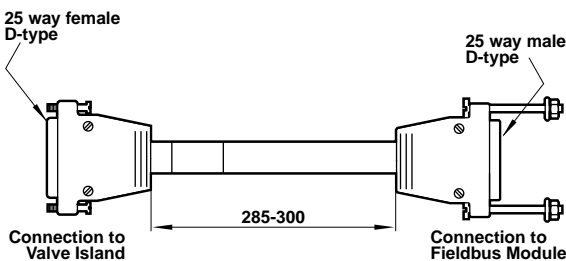
- VE1FBCDS-M1203 L = 0,3 metre length

Female/male 4 pin dual key T to female plug
Right angled connector

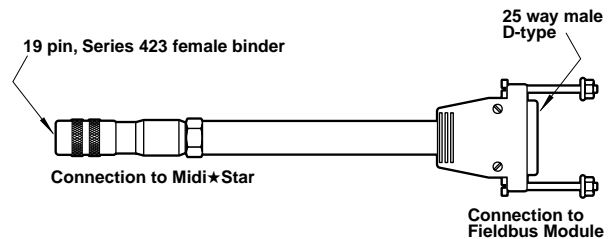


- VE1FBCDE-M1203 L = 0,3 metre length

Fieldbus to multipole, cable with plugs



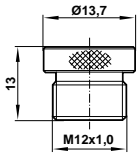
- Nugget 30 (IP40) VE1FB02C-IP403
- Midi★Star (IP40) VE1FBMSC-IP403



- Midi★Star (IP65) VE1FBMSC-IP653



Blanking Plug

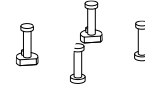


VE1FBCBK-M1200

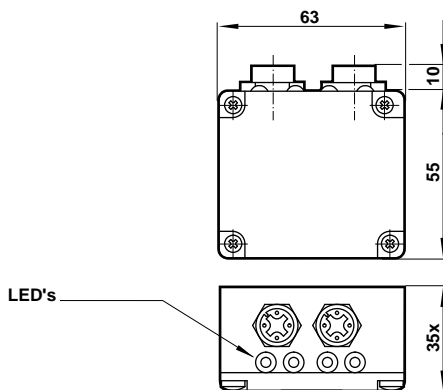
DIN Rail Mounting Kit for Fieldbus Output and Input Modules

- V10075-K31 All output modules to V08 series
- V10075-K32 All output modules to V09 series
- V10075-K30 Standalone output modules (used with Nugget 30 or Midi★ Star)
- V10075-K30 All input modules

DIN-Rail Mounting Kit



Remote Output Modules



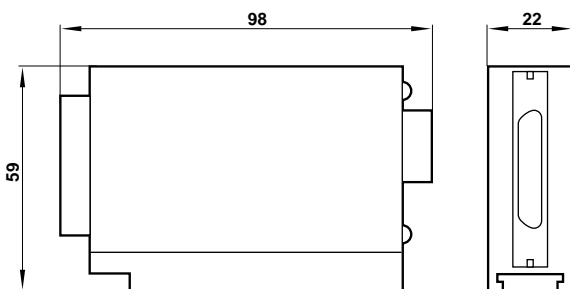
Application:

Remote output modules are used with Nugget 40 and Nugget 120 valve islands to provide up to 4 outputs to remote devices such as Soft Start and Monitored Dump Valves. Harness assemblies should be increased by the relevant number of stations.

Nugget 40 endplate 4 outputs VE1MP09B-00400

Nugget 120 endplate 4 outputs VE1MP14B-00400

RS 232 to RS 485 Converter



45401000

Single wide range power supply: 7V to 24V d.c.
 Operation independent of RS232 RTS and CTS lines.
 Selectable baud rates: 1200, 2400, 4800, 9600, 19200, 38400 baud.
 Selectable word length: 9, 10 and 11 bits/byte.
 Switchable RS232 transmit and receive lines.
 Selectable RS232 data echo test feature.
 Selectable RS485 transmission line pull up, pull down and balance resistors.
 LED indication of power and data transmission.



Warning

These products are intended for use in industrial control systems only. Do not use these products where *voltage*, *current* and *temperatures* can exceed those listed under '**Technical Data**'.

Before using these products for non-industrial applications, life-support systems, or other applications not within published specifications, consult NORGREN.

Through misuse, age, or malfunction, components used in fluid power systems can fail in various modes. The system designer is warned to consider the failure modes of all component parts used in control systems and to provide adequate safeguards to prevent personal injury or damage to equipment in the event of such failure.

System designers must provide a warning to end users in the system instructional manual if protection against a failure mode cannot be adequately provided.

System designers and end users are cautioned to review specific warnings found in instruction sheets packed and shipped with these products.