

- **Compact design**
- **Filter removes liquids and solid particles down to 5 µm**
- **Push to lock adjusting knob with tamper resistant option**
- **Micro-Fog lubricator provides air line lubrication to one or more air driven tools or other devices**
- **Nearly constant oil density output with varying air flow**
- **Can be disassembled without the use of tools or removal from the air line**

Technical Data

Fluid: Compressed air

Maximum pressure:

Transparent bowl: 10 bar (150 psig)

Metal bowl: 17 bar (250 psig)

Operating temperature:*

Transparent bowl: -20° to +50°C (0° to +125°F)

Metal bowl: -20° to +65°C (0° to +150°F)

* Air supply must be dry enough to avoid ice formation at temperatures below +35°F (+2°C)

Typical flow at 7 bar (100 psig) inlet pressure, 6,3 bar (90 psig) set pressure and a droop of 1 bar (15 psig) from set:

1/8" Ports: T.B.A.

1/4" Ports: T.B.A.

Drain connection: 1/8" pipe

Filter

Partical removal: 5 µm or 40 µm. Within ISO 8573-1, Class 3 and Class 5

Automatic drain operation: Spitter type drain operates momentarily when a rapid change in air flow occurs or when the supply pressure is reduced.

Regulator

Recommended regulating pressure ranges†:

0,3 to 7 bar (5 to 100 psig) standard

0,3 to 3,5 bar (5 to 50 psig) optional

† Outlet pressures can be adjusted to pressures in excess of, and less than those specified. Do not use these units to control pressures outside of the specified ranges.

Gauge ports:

1/8" PTF with PTF main ports

1/8" ISO Rc with ISO Rc main ports

1/8" ISO Rc with ISO G main ports

Lubricator

Start point (i.e., minimum flow required for lubricator operation):

0,24 dm³/s (0.5 scfm) at 6,3 bar (90 psig) inlet pressure

Nominal bowl size: 31 ml (1 fluid ounce)

Recommended lubricants: See page N/AL.8.990.935



Materials:

Polycarbonate bowl standard, zinc bowl optional. Zinc body. Nitrile elastomeric materials.

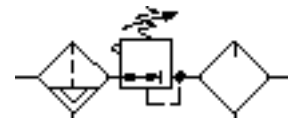
Filter: Sintered polypropylene element.
Regulator: Acetal bonnet. Brass/Nitrile valve. Acetal valve seat.

Lubricator: Transparent nylon sight dome.

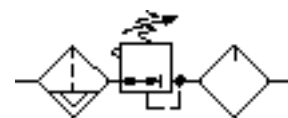
Ordering Information

See *Ordering Information* on the following pages.

ISO Symbols



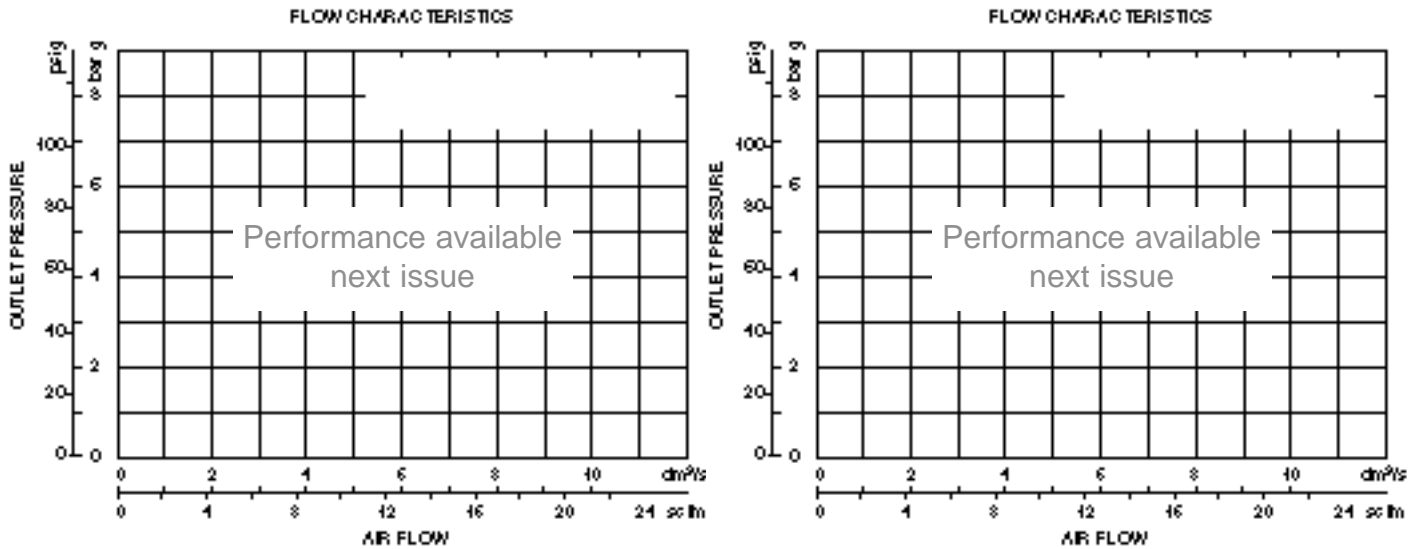
Filter with automatic drain, relieving regulator, lubricator with manual drain



Filter with manual drain, relieving regulator, lubricator with manual drain



Typical Performance Characteristics



Ordering Information. Models listed include ISO G threads, transparent bowls, filter with automatic drain, 40 µm element, regulator with relieving diaphragm, 0,3 to 7 bar (5 to 100 psig) outlet pressure adjustment range*, lubricator with manual drain.

| Port Size | Model Number | Flow† dm ³ /s (scfm) | Weight kg (lbs) |
|-----------|--------------|---------------------------------|-----------------|
| G1/8 | P1A-101-A3AG | T.B.A. | T.B.A. |
| G1/4 | P1A-201-A3AG | T.B.A. | T.B.A. |

† Approximate flow at 7 bar (100 psig) inlet pressure, 6,3 bar (90 psig) set pressure and a droop of 1 bar (15 psig) from set.

Alternative Models

| Integral Wall Bracket | Substitute |
|--------------------------------|------------|
| Without (P1A combination unit) | 1 |
| With (PTA combination unit) | T |

| Port Size | Substitute |
|-----------|------------|
| 1/8" | 1 |
| 1/4" | 2 |

| Filter/Regulator Bowl | Outlet Pressure Adjustment Range* bar psig | Relief Type | Gauge | Substitute |
|-----------------------|--|---------------|---------|------------|
| Transparent | 0,3 to 8,6 5 to 125 | Relieving | Without | 01 |
| Transparent | 0,3 to 8,6 5 to 125 | Non relieving | Without | 02 |
| Transparent | 0,3 to 3,5 5 to 50 | Relieving | Without | 04 |
| Transparent | 0,3 to 3,5 5 to 50 | Non relieving | Without | 06 |
| Metal | 0,3 to 8,6 5 to 125 | Relieving | Without | 41 |
| Metal | 0,3 to 8,6 5 to 125 | Non relieving | Without | 42 |
| Metal | 0,3 to 3,5 5 to 50 | Relieving | Without | 44 |
| Metal | 0,3 to 3,5 5 to 50 | Non relieving | Without | 46 |

P ★ A - ★ ★ ★ - ★ ★ ★ ★

| Threads | Substitute |
|----------------|------------|
| PTF | A |
| ISO Rc taper | B |
| ISO G parallel | G |

| Lubricator Reservoir | Substitute |
|---------------------------|------------|
| Transparent with drain | A |
| Transparent without drain | Q |
| Metal with drain | M |
| Metal without drain | F |



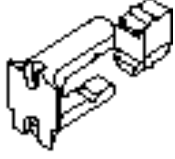


| Filter/Regulator Element | Substitute |
|--------------------------|------------|
| 5 µm | 1 |
| 40 µm | 3 |


| Filter/Regulator Drain | Substitute |
|------------------------|------------|
| Automatic | A |
| Manual | M |

* Do not use these units to control pressures outside of the specified ranges.

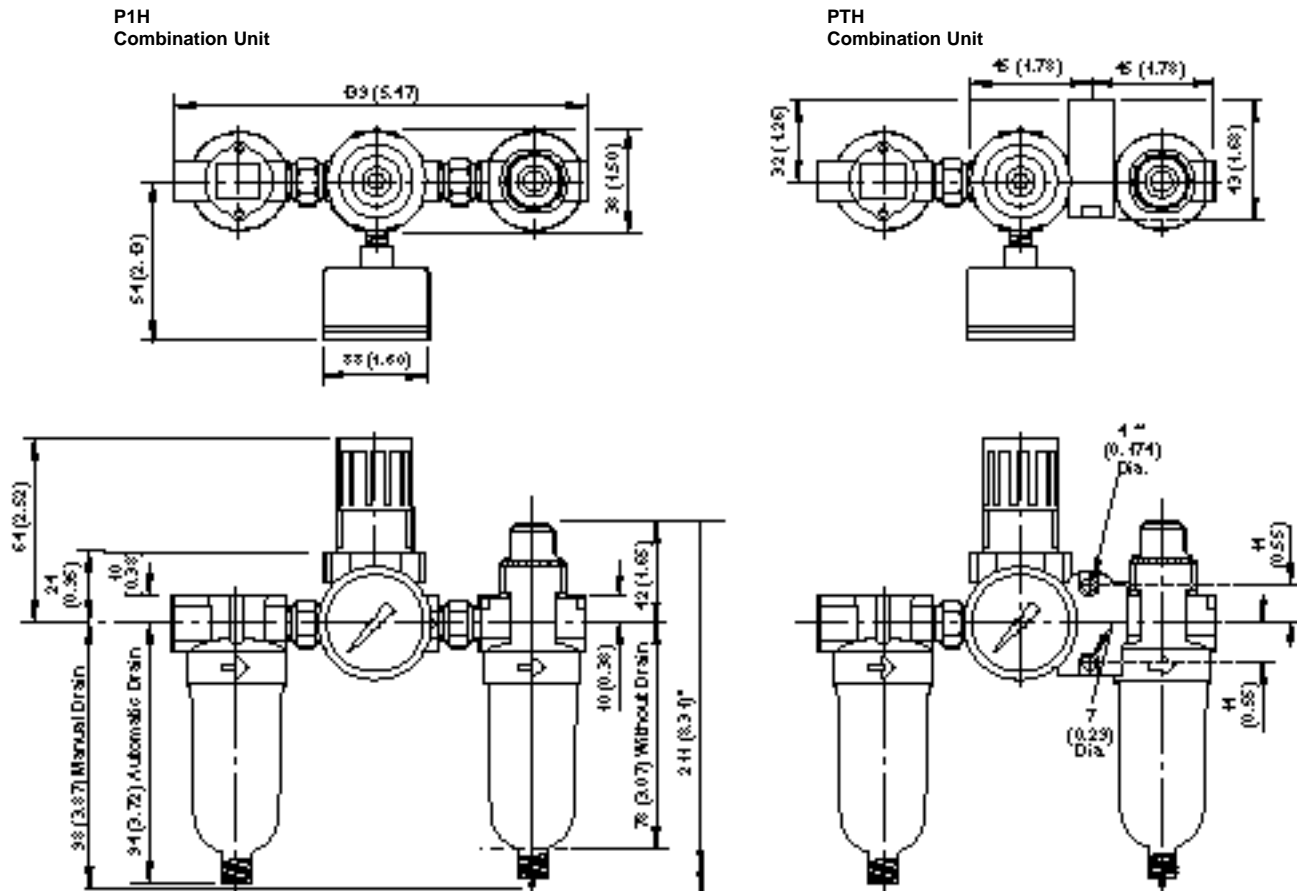


Accessories

| | | | | |
|---|---|---|---|---|
|  |  |  |  |  |
| Tamper Resistant Seal Wire for Lubricator | Wall Mounting Bracket and Panel Nut for P1H Unit | Wall Bracket for PTA Unit | Panel Nut | Tamper Resistant Field Modification |
| 2117-01 | Plastic: 18-025-003 Metal: 2962-04 | 6700-30 | Plastic: 2962-89 | Knob and screw: 18-001-092 Screw only: 6097-08 |

| | | |
|---|-----------------|---------------------|
|  | Ø 40 mm | |
| Pressure Gauge | R1/8 Connection | 1/8" PTF Connection |
| 2 bar (30 psig): | — | 18-013-214 |
| 4 bar (60 psig): | 18-013-990 | 18-013-211 |
| 10 bar (150 psig): | 18-013-989 | 18-013-212 |
| 25 bar (360 psig): | 18-013-908 | — |

Dimensions – mm (Inches)



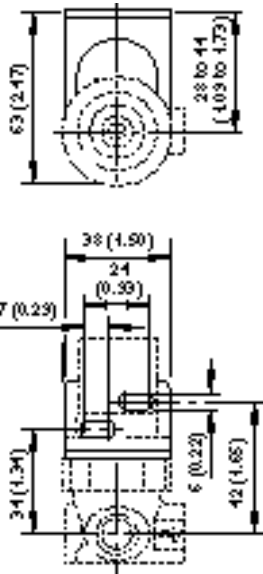
- * Minimum clearance to remove bowl.
- ** Use 51 mm (2") long screws, 5/32" diameter, to mount PTA Unit to wall.



Wall Bracket for P1A Combination Unit

Use 1/8" (3 mm) screws to mount bracket to wall.

Wall Bracket Installed on Regulator



Wall Bracket reference

| Model | Part number |
|-----------------------|-------------|
| P1A combination units | 18-025-003 |

Service Kits

| Item | Type | Part number |
|---------------------------------------|------------------|-------------|
| Service kits, filter | 5 µm element | 3652-17 |
| | 40 µm element | 3652-18 |
| Service kits, regulator | relieving | 3407-02 |
| | non relieving | 3407-01 |
| Service kit, lubricator | | 3795-03 |
| Replacement drains | Manual | 773-03 |
| | Automatic | 3654-02 |
| Replacement wall bracket for PTA Unit | Integral 2-piece | 6700-30 |

Filter service kit contains element, element gasket, and bowl o-ring.

Regulator service kit contains slip ring, diaphragm, valve seat with o-ring, valve, valve spring.

Lubricator service kit contains sight-feed dome seal, cartridge o-ring, and bowl o-ring.

Warning

These products are intended for use in industrial compressed air systems only. Do not use these products where *pressures* and *temperatures* can exceed those listed under **Technical Data**. Before using these products with fluids other than those specified, for non-industrial applications, life-support systems, or other applications not within published specifications, consult NORGREN. Through misuse, age, or malfunction, components used in fluid power systems can fail in various modes. The system designer is warned to consider the failure modes of all component parts used in fluid power systems and to provide adequate safeguards to prevent personal injury or damage to equipment in the event of such failure. **System designers must provide a warning to end users in the system instructional manual if protection against a failure mode cannot be adequately provided.** System designers and end users are cautioned to review specific warnings found in instruction sheets packed and shipped with these products.