

- Complete air preparation from a single pre-assembled unit
- Combinations available in 1/4" or 3/8" port sizes from the 11 series
- Lubro-Control and Vitalizer units

### Technical Data

Medium:

Compressed air only

Maximum Inlet Pressure:

10 bar transparent bowl  
16 bar metal bowl

Operating Temperature:

-20°C\* to +50°C transparent bowl  
-20°C\* to +80°C metal bowl

\*Consult our Technical Service for use below +2°C

### Filters

Automatic or manual drain

Elements: 40 µm nominal

Transparent bowl

### Filter-Regulators

Filter section - as above

Regulating section - relieving type, supplied with pressure gauge

### Lubricators

Micro-Fog or Oil-Fog

0,15 litre capacity transparent bowl

### Materials

Zinc alloy body. Polycarbonate bowls. Polypropylene filter element. Synthetic rubber elastomeric materials.

**Note:** The data above applies to the individual units that make up the models listed overleaf. For data concerning alternative bowl materials, filter elements, spring ranges, etc. see individual product pages.

### Ordering Information

To order a standard 11 Series Combination Unit, quote model number from tables overleaf.

For non-standard models please consult our Technical Service.



### Port Sizes

G<sup>1</sup>/<sub>4</sub>, G<sup>3</sup>/<sub>8</sub> to ISO 1179

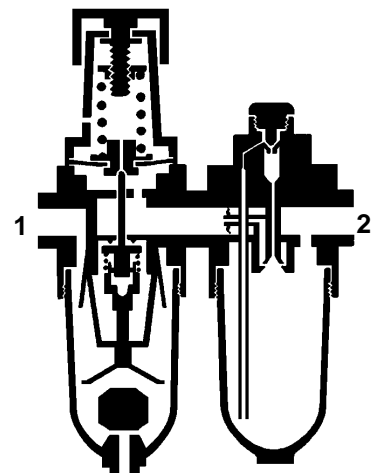
Accepts ISO 228 (BS 2779) parallel or ISO 7 (BS 21) taper connectors

### Alternative Models

Other bowl materials, filter elements, spring ranges etc. on request.

For combinations not listed overleaf, quote the individual component numbers required.

Other port thread forms.





## Lubro-Control Units

### Micro-Fog

Port Size	Filter-Regulator	Comprising Lubricator	Filter Section Drain Type	Model	Weight kg
G $\frac{1}{4}$	B11-200-A3MD	L11-200-MLRD	Automatic	<b>BL-ARM-U2</b>	1,67
	B11-200-M3MD		Manual	<b>BL-MRM-U2</b>	1,66
G $\frac{3}{8}$	B11-300-A3MD	L11-300-MPRD	Automatic	<b>BL-ARM-U3</b>	1,58
	B11-300-M3MD		Manual	<b>BL-MRM-U3</b>	1,56

### Oil-Fog

Port Size	Filter-Regulator	Comprising Lubricator	Filter Section Drain Type	Model	Weight kg
G $\frac{1}{4}$	B11-200-A3MD	L01-200-OPRD	Automatic	<b>BL-ARO-U2</b>	1,71
	B11-200-M3MD		Manual	<b>BL-MRO-U2</b>	1,70
G $\frac{3}{8}$	B11-300-A3MD	L01-300-OPRD	Automatic	<b>BL-ARO-U3</b>	1,61
	B11-300-M3MD		Manual	<b>BL-MRO-U3</b>	1,59

## Non-standard Models

For assemblies with Non-relieving Filter-Regulators, 'T' handles, alternative Filter Elements, Springs or Metal Bowls, please specify.

### Accessories

Wall Mounting Bracket Kits available, see page 8.4.031.04.

Bowl Guard Kits for standard 11 series Transparent bowls, reference 18-012-985 for Automatic Drain models or 18-012-984 for Manual Drain models.

Bowl Guard Kit for 11 series Lubricators with Transparent bowls, reference 18-012-985.

Nippled Connectors with male taper BSP threads,  $\frac{1}{8}$ " reference 36 0633 01,  $\frac{1}{4}$ " reference 36 0633 02.

## Vitalizer Units

### Micro-Fog

Port Size	Filter	Comprising Lubricator	Filter Drain	Model	Weight kg
G $\frac{1}{4}$	F11-200-A3TD	L11-200-MLRD	Automatic	<b>FL-AM-U2</b>	1,29
	F11-200-M3TD		Manual	<b>FL-MM-U2</b>	1,29
G $\frac{3}{8}$	F11-300-A3TD	L11-300-MPRD	Automatic	<b>FL-AM-U3</b>	1,20
	F11-300-M3TD		Manual	<b>FL-MM-U3</b>	1,18

### Oil-Fog

Port Size	Filter	Comprising Lubricator	Filter Drain	Model	Weight kg
G $\frac{1}{4}$	F11-200-A3TD	L01-200-OPRD	Automatic	<b>FL-AO-U2</b>	1,33
	F11-200-M3TD		Manual	<b>FL-MO-U2</b>	1,33
G $\frac{3}{8}$	F11-300-A3TD	L01-300-OPRD	Automatic	<b>FL-AO-U3</b>	1,23
	F11-300-M3TD		Manual	<b>FL-MO-U3</b>	1,21

## Non-standard Models

For assemblies with alternative Filter Elements or Metal Bowls, please specify.

### Accessories

Wall Mounting Bracket Kits, see page 8.4.031.04.

Bowl Guard Kits for standard 11 series Transparent bowls, reference 18-012-985 for Automatic Drain models or 18-012-984 for Manual Drain models.

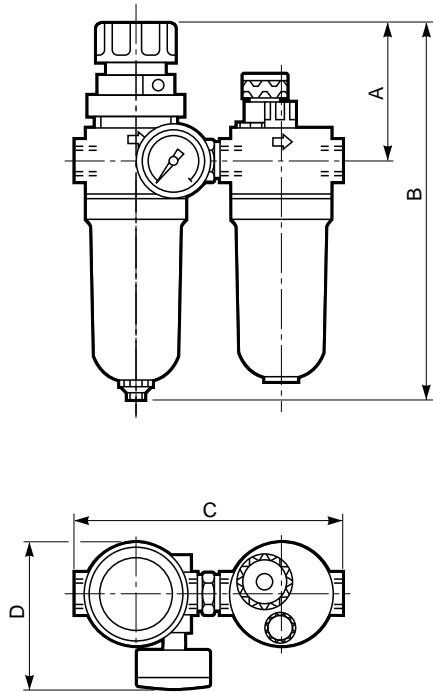
Bowl Guard Kit for 11 series Lubricators with Transparent bowls, reference 18-012-985.

Nippled Connectors with male taper BSP threads,  $\frac{1}{8}$ " reference 36 0633 01,  $\frac{1}{4}$ " reference 36 0633 02.



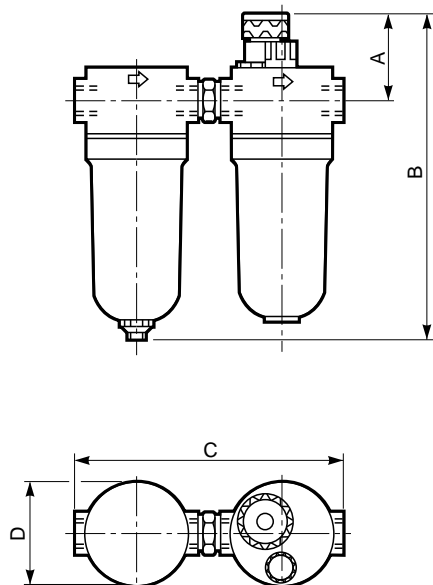
Lubro-Control Units

Port Size	A	B		C	D
		Auto	Man		
G $\frac{1}{4}$ , G $\frac{3}{8}$	85	230	240	150	92



Vitalizer Units

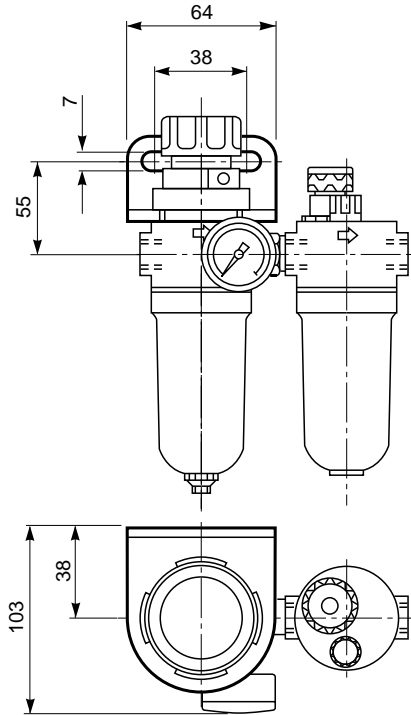
Port Size	A	B		C	D
		Auto	Man		
G $\frac{1}{4}$ , G $\frac{3}{8}$	50	187	195	150	60





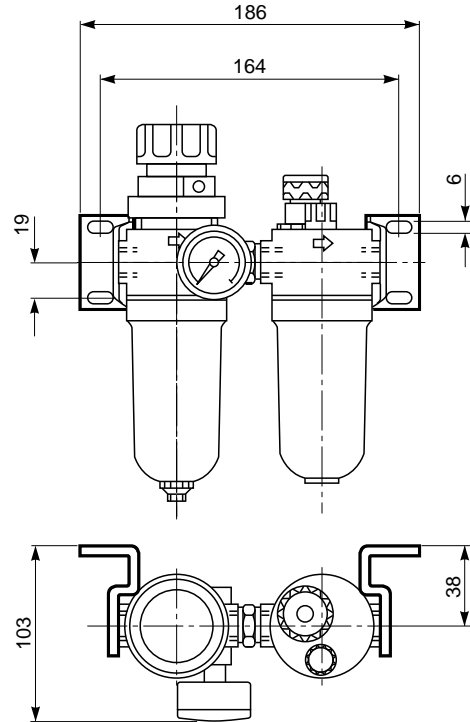
Bracket Mounting – Lubro-Control Units

Filter-Regulator type



Filter-Regulator Bracket Kit reference:  
5203-05

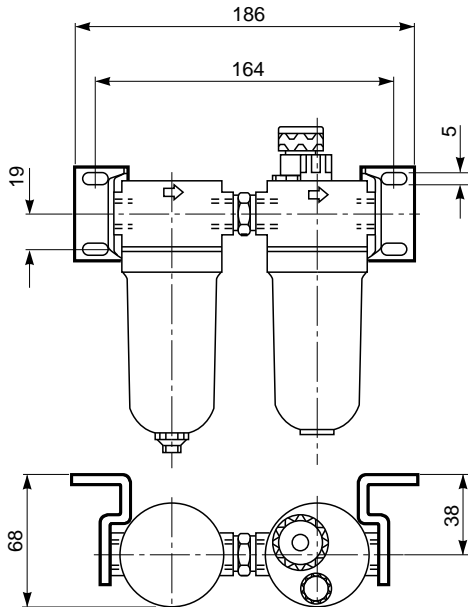
End Mounting Bracket type



End Mounting Bracket Kit reference:  
G<sup>1</sup>/<sub>4</sub> 18-001-988  
G<sup>3</sup>/<sub>8</sub> 18-001-989

Bracket Mounting – Vitalizer Units

End Mounting Bracket type



End Mounting Bracket Kit reference:  
G<sup>1</sup>/<sub>4</sub> 18-001-988  
G<sup>3</sup>/<sub>8</sub> 18-001-989

Warning

These products are intended for use in industrial compressed air systems only. Do not use these products where *pressures* and *temperatures* can exceed those listed under 'Technical Data'. Before using these products with fluids other than those specified, for non-industrial applications, life-support systems, or other applications not within published specifications, consult NORGREN. Through misuse, age, or malfunction, components used in fluid power systems can fail in various modes. The system designer is warned to consider the failure modes of all component parts used in fluid power systems and to provide adequate safeguards to prevent personal injury or damage to equipment in the event of such failure. **System designers must provide a warning to end users in the system instructional manual if protection against a failure mode cannot be adequately provided.** System designers and end users are cautioned to review specific warnings found in instruction sheets packed and shipped with these products.