

- Neat and compact
- Adjusting Knob has Snap-Action Lock
- Excellent flow and regulation characteristics
- Panel Mounting facility

Regulator
G^{1/4}, G^{3/8}

Technical Data

Medium:

Compressed air only

Maximum Inlet Pressure:

20 bar

Operating Temperature:

-20°C* to +80°C

*Consult our Technical Service for use below +2°C

Recommended Regulated Pressures^{††}:

0,4 -10 bar standard

0 - 4 bar optional

2 - 16 bar optional (only available with T-bar adjusting screw)

^{††}Can be adjusted to zero bar outlet pressure and, generally, to pressures in excess of those specified.

Gauge Ports:

G^{1/8}

Maximum Flow with 10 bar inlet pressure, 6,3 bar outlet pressure and pressure drop of 1 bar:

40 dm³/s

Materials

Zinc alloy body. Acetal resin adjusting knob (steel T-bar adjusting screw). Synthetic rubber elastomeric materials.

Ordering Information

To order a standard Regulator, quote model number from table overleaf.

For non-standard models substitute appropriate digits as instructed.



Port Sizes

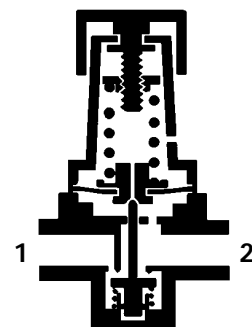
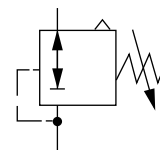
G^{1/4}, G^{3/8} to ISO 1179

Accepts ISO 228 (BS 2779) parallel or ISO 7 (BS 21) taper connectors

Alternative Models

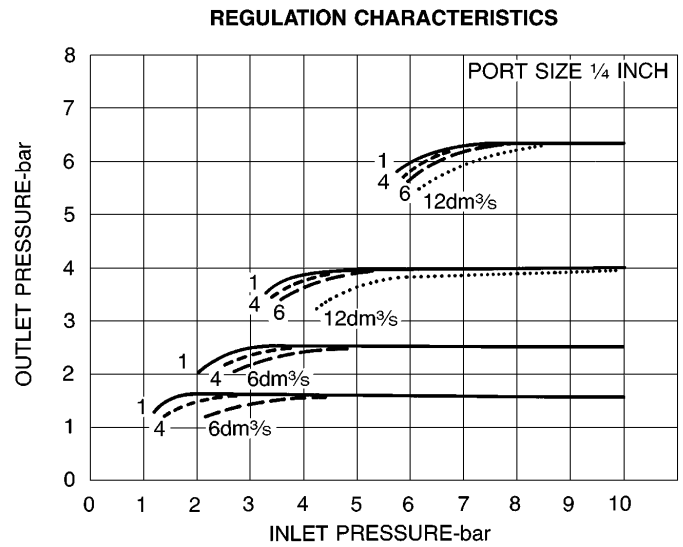
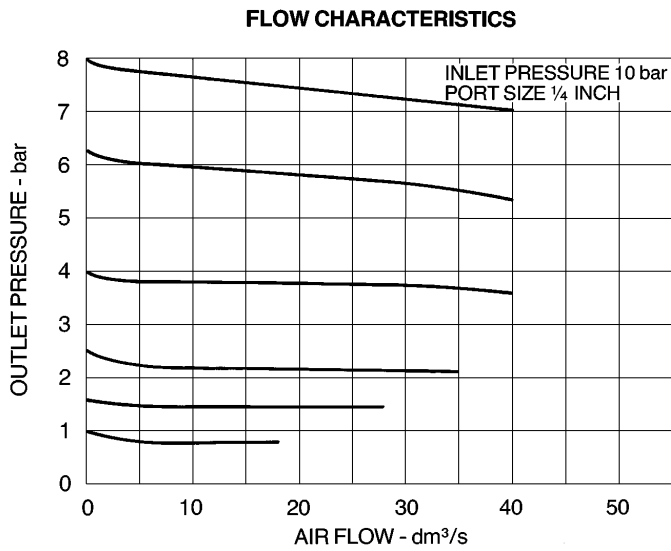
Other port thread forms

T-bar adjusting screw





Typical Performance Characteristics



Standard Regulators

10 bar spring

Port Size	Relieving	Weight kg	Non-relieving	Weight kg
G ¹ / ₄	R11-200-RNMD	0,78	R11-200-NNMD	0,80
G ³ / ₈	R11-300-RNMD	0,78	R11-300-NNMD	0,78

Non-standard Models

For optional 4 or 16 bar springs, substitute 'F' or 'S' respectively for 'M' at the 9th digit, e.g. R11-200-RNFD (16 bar spring only available with T-bar adjusting screw).

For optional T-bar adjusting screw, substitute '0' for '1' at the 2nd digit, e.g. R01-200-RNMD.

For other options, please consult our Technical Service.

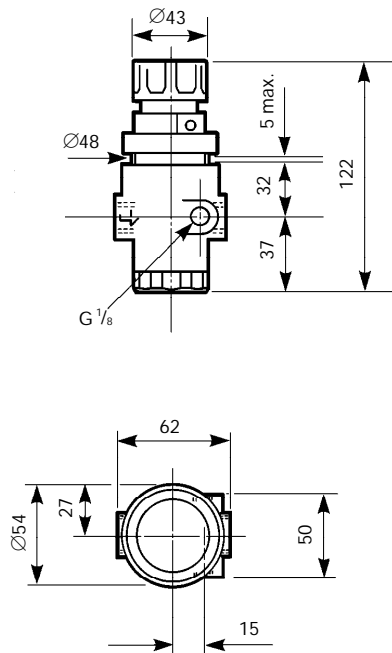
Accessories

Wall Mounting Bracket Kit, see page 8.6.061.03.

Pressure Gauges, see page 8.11.031.01.

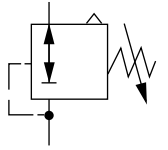


Regulator



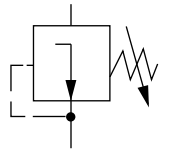
Relieving

R11-200-RNMD G^{1/4}
R11-300-RNMD G^{3/8}



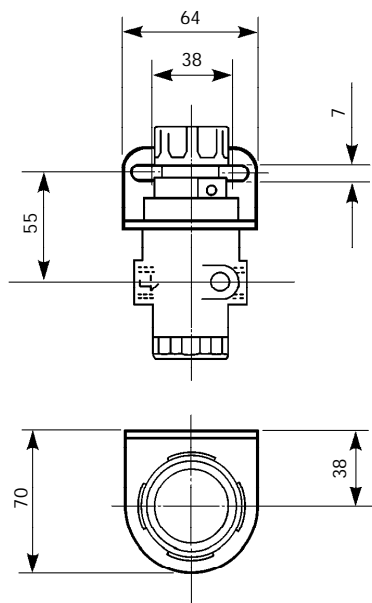
Non-relieving

R11-200-NNMD G^{1/4}
R11-300-NNMD G^{3/8}



Bracket Mounting

Bracket Kit reference:
5203-05





Spares Kits

Type	Repair Kit
Relieving	R11-100R
Non-relieving	R11-100NR

Warning

These products are intended for use in industrial compressed air systems only. Do not use these products where *pressures* and *temperatures* can exceed those listed under '**Technical Data**'.

Before using these products with fluids other than those specified, for non-industrial applications, life-support systems, or other applications not within published specifications, consult NORGREN MARTONAIR.

Through misuse, age, or malfunction, components used in fluid power systems can fail in various modes. The system designer is warned to consider the failure modes of all component parts used in fluid power systems and to provide adequate safeguards to prevent personal injury or damage to equipment in the event of such failure.

System designers must provide a warning to end users in the system instructional manual if protection against a failure mode cannot be adequately provided.

System designers and end users are cautioned to review specific warnings found in instruction sheets packed and shipped with these products.