

Air preparation assemblies capable of monitoring their own performance advising of any problems via a Fieldbus link

Can help reduce energy, maintenance and purchasing costs

Can help minimise downtimes and 'end of line' product rejection

Can increase productivity

Technical data

Fluid:

Compressed air

Maximum operating pressure:

10 bar (150 psig) standard

17 bar (250 psig) optional

Ambient temperature:

-20°C to +65°C (0° to +150°F)

Air supply must be dry enough to avoid ice formation at temperatures below +2°C

Fieldbus protocol:

AS-i

Configuration:

3 inputs

1 output

Mounting:

Modular within Excelon 73, 74

Olympian Plus 64*

*Under development

Materials

Casing: ABS

Membrane keypad: plastic

Connections: steel

Gaskets: nitrile



Ordering information

1. Consider the functions and feedback you require.
2. Consider the modular product family best suited to your application -
 - Excelon
 - Olympian Plus 64
3. Consult the 'Order Tables' on pages 3 and 4 to specify your complete assembly
 - Indicate your product requirements in the boxes provided
4. Fax your enquiry or order through to your local Norgren sales outlet



A ‘smart frl’ can perform the following functions -

- Can advise when filter element replacement is necessary
- Can advise when replenishment of lubricant is necessary
- Can advise of excessive or insufficient line pressures via an integral pressure ‘window’
- Can operate an external device, e.g. a soft start/dump valve
- Can advise when your next scheduled maintenance is due
- Can record the highest and lowest line pressures seen
- Can record and advise the duration of service
- Can display pressure data in one of four units – bar, psi, Mpa or kg/cm²
- Can display data in one of five languages - English, French, German, Spanish or Italian

What can a ‘smart frl’ help you to do?

	How?	Which can result in ...
Reduce your energy costs	Highlight excessive pressure drops Highlight potential losses due to friction Highlight excessive line pressure	Increased compressed air generation costs
Reduce your purchasing costs	Highlight frictional losses Highlight excessive line pressure	Excessive wear of moving parts/components
Prolong the life of products downstream of your FRL	Highlight frictional losses Highlight excessive line pressure	Excessive wear of moving parts/components
Minimise your product rejection rate	Highlight excessive pressure drops Highlight potential losses due to friction Highlight insufficient line pressure Highlight excessive line pressure	Insufficient actuator force Sluggish or erratic actuator movement Insufficient actuator force Excessive actuator force
Minimise the risk to an operator’s health	Highlight excessive pressure drops	Oil carryover
Minimise your downtimes	Prolong the life of products downstream of your FRL Highlight problems prior to a ‘critical’ point being reached	
Increase productivity	Minimise downtimes Minimise product rejection rates	



Order Table

Consider the functions you require and specify an assembly to suit. Optional port sizes are available - please refer to the individual product sections in our 'Pneumatics' catalogue for further details.

Excelon 73 & 74

Component	Product family	Description	Model	
smart module	Excelon 73 & 74	For 10 bar maximum pressure	A74G-NNE-1NN	<input type="checkbox"/>
		For 17 bar maximum pressure	A74G-NNF-1NN	<input type="checkbox"/>
General purpose filter*	Excelon 73	40 µm element; transparent polycarbonate bowl G3/8	F73G-3GE-AT3	<input type="checkbox"/>
		40 µm element; metal bowl G3/8	F73G-3GE-AD3	<input type="checkbox"/>
	Excelon 74	40 µm element; guarded polycarbonate bowl G1/2	F74G-4GE-AP3	<input type="checkbox"/>
		40 µm element; metal bowl G1/2	F74G-4GE-AD3	<input type="checkbox"/>
Oil removal filter*	Excelon 73	Transparent polycarbonate bowl G3/8	F73C-3GE-AT0	<input type="checkbox"/>
		Metal bowl G3/8	F73C-3GE-AD0	<input type="checkbox"/>
	Excelon 74	Guarded polycarbonate bowl G1/2	F74H-4GE-AP0	<input type="checkbox"/>
		Metal bowl G1/2	F74H-4GE-AD0	<input type="checkbox"/>
Pressure regulator	Excelon 73	Relieving; 0,3 ... 10 bar pressure adjustment range G3/8	R73G-3GK-RMN	<input type="checkbox"/>
		Relieving; 0,7 ... 17 bar pressure adjustment range G3/8	R73G-3GT-RSN	<input type="checkbox"/>
	Excelon 74	Relieving; 0,3 ... 10 bar pressure adjustment range G1/2	R74G-4GK-RMN	<input type="checkbox"/>
		Relieving; 0,7 ... 17 bar pressure adjustment range G1/2	R74G-4GT-RSN	<input type="checkbox"/>
Lubricator*	Excelon 73	Micro-fog; 0,1 litre transparent polycarbonate bowl G3/8	L73M-3GP-ETL	<input type="checkbox"/>
		Micro-fog; 0,1 litre metal bowl G3/8	L73M-3GP-EDL	<input type="checkbox"/>
	Excelon 74	Micro-fog; 0,2 litre guarded polycarbonate bowl G1/2	L74M-4GP-EPL	<input type="checkbox"/>
		Micro-fog; 0,2 litre metal bowl G1/2	L74M-4GP-EDL	<input type="checkbox"/>
Soft start/dump valve	Excelon 73 & 74	Solenoid operated; 24V dc no plug & cable gland G3/8	P74F-3GC-PFN	<input type="checkbox"/>
		Solenoid operated; 24V dc with plug & cable gland G3/8	P74F-3GC-PFA	<input type="checkbox"/>
		Solenoid operated; 24V dc no plug & cable gland G1/2	P74F-4GC-PFN	<input type="checkbox"/>
		Solenoid operated; 24V dc with plug & cable gland G1/2	P74F-4GC-PFA	<input type="checkbox"/>

* All filters are fitted with electrical service life indicators and full automatic drains; all lubricators are fitted with lubricant liquid level switches.

Excelon accessories# and connectors

Component	Product family	Description	Model	
Shut-off valve	Excelon 73	G3/8; 3 port / 2 position	T73T-3GA-P1N	<input type="checkbox"/>
	Excelon 74	G1/2; 3 port / 2 position	T74T-4GA-P1N	<input type="checkbox"/>
Adjustable pressure switch	Excelon 73 & 74	Adjustable from 2 ... 10 bar; 3 x G1/4 auxiliary air outlets	4346-52	<input type="checkbox"/>
Porting block	Excelon 73 & 74	3 x G1/4 auxiliary air outlets	4316-06	<input type="checkbox"/>
Tamper resistant cover	Excelon 73	Tamper resistant cover and seal wire	4455-51	<input type="checkbox"/>
	Excelon 74	Tamper resistant cover	4355-50	<input type="checkbox"/>
		Seal wire	2117-01	<input type="checkbox"/>
To join two Excelon products or accessories together	Excelon 73 & 74	Quikclamp	4314-51	<input type="checkbox"/>
		Quikclamp with wall mount bracket	4314-52	<input type="checkbox"/>
If your assembly features a pressure switch or smart module at the end, this adapter will provide a threaded end connection	Excelon 73 & 74	Quikmount pipe adapter G1/4	4315-09	<input type="checkbox"/>
		Quikmount pipe adapter G3/8	4315-10	<input type="checkbox"/>
		Quikmount pipe adapter G1/2	4315-11	<input type="checkbox"/>
		Quikmount pipe adapter G3/4	4315-12	<input type="checkbox"/>

Each accessory needs a 12 mm connector, model no. VE1FBCRS-M125P



Order Table

Consider the functions you require and specify an assembly to suit. Optional port sizes are available - please refer to the individual product sections in our 'Pneumatics' catalogue for further details.

Olympian Plus**

Component	Product family	Description	Model	
smart module	Olympian Plus	For 10 bar maximum pressure	A64G-NNA-1NN	<input type="checkbox"/>
		For 17 bar maximum pressure	A64G-NNB-1NN	<input type="checkbox"/>
		No yoke required – see note at bottom of page		
General purpose filter*	Olympian Plus	Unit less yoke – 40 µm element; full automatic drain; metal bowl	F64G-NNE-AD3	<input type="checkbox"/>
		Unit less yoke – 5 µm element; full automatic drain; metal bowl	F64G-NNE-AD1	<input type="checkbox"/>
Oil removal filter*	Olympian Plus	Unit less yoke – metal bowl; full automatic drain	F64H-NNE-AD0	<input type="checkbox"/>
Pressure regulator	Olympian Plus	Unit less yoke – relieving; 0,3 ... 10 bar pressure adjustment range	R64G-NNK-RMN	<input type="checkbox"/>
		Unit less yoke – relieving; 0,7 ... 17 bar pressure adjustment range	R64G-NNT-RSN	<input type="checkbox"/>
Lubricator*	Olympian Plus	Unit less yoke – micro-fog; 0,2 litre metal bowl	L64M-NNP-EDL	<input type="checkbox"/>
Soft start/dump valve	Olympian Plus	Unit less yoke – solenoid operated, 24 V d.c. no plug & cable gland	P64F-NNC-PFN	<input type="checkbox"/>
		Unit less yoke – solenoid operated, 24 V d.c. with plug & cable gland	P64F-NNC-PFA	<input type="checkbox"/>

* All filters are fitted with electrical service life indicators and full automatic drains; all lubricators are fitted with lubricant liquid level switches.

** Under development

Olympian accessories# and yokes**

Component	Product family	Description	Model	
Shut-off valve	Olympian Plus	G1/2; 3 port/2 position	T64T-4GA-P1N	<input type="checkbox"/>
Adjustable pressure switch	Olympian Plus	Adjustable from 2 ... 10 bar; 2 x G1/4 auxiliary air outlets	74507-50	<input type="checkbox"/>
Wall mounting brackets	Olympian Plus	Wall mounting brackets (pair)	74504-50	<input type="checkbox"/>
Tamper resistant cover	Olympian Plus	Tamper resistant cover	4355-50	<input type="checkbox"/>
		Seal wire	2117-01	<input type="checkbox"/>
Each unit selected from the table above will need a 'station' to plug into**	Olympian Plus	Single station yoke G1/2	Y64A-4GA-N1N	<input type="checkbox"/>
		Two station yoke G1/2	Y64A-4GA-N2N	<input type="checkbox"/>
		Three station yoke G1/2	Y64A-4GA-N3N	<input type="checkbox"/>
To join 2 yokes/accessories together	Olympian Plus	Connector kit	74503-51	<input type="checkbox"/>
If your assembly features a pressure switch or smart module at the end, this adapter will provide a threaded end connection	Olympian Plus	End connector G1/2	74505-50	<input type="checkbox"/>
		End connector G3/4	74505-53	<input type="checkbox"/>

** Except the 'smart' module – this simply requires a connector kit, model number 74503-51, assembled to each side

** Under development

Each accessory needs a 12 mm connector, model no. VE1FBCRS-M125P



Model codes

A★4G-NN★-★NN

Series	Substitute
Olympian 64**	6
Excelon 74 (or 73)	7

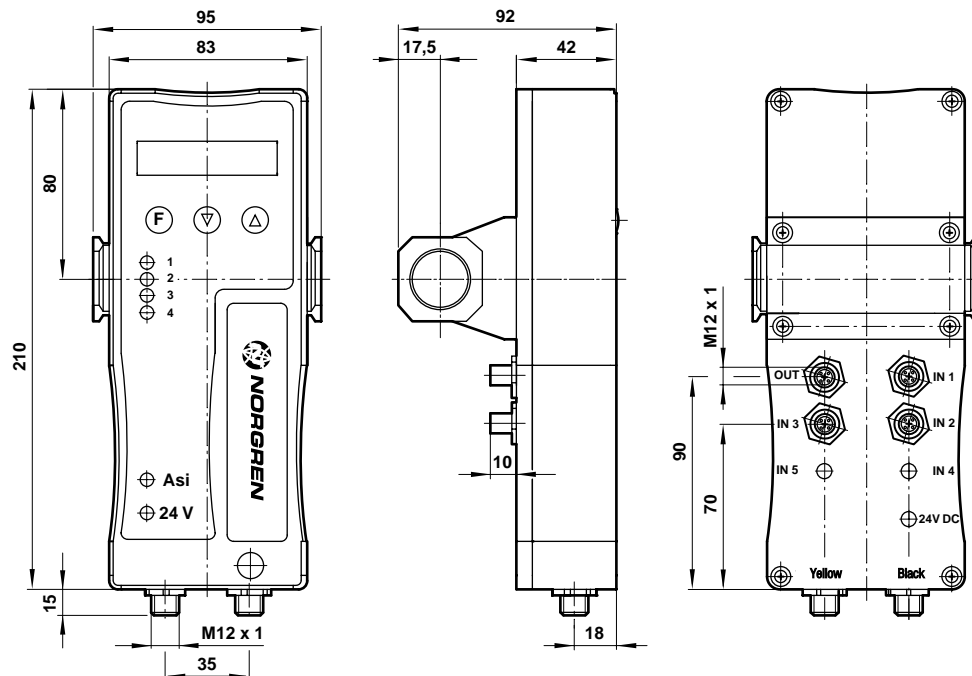
** Under development

Type	Substitute
Olympian 64, 10 bar, nitrile	A
Olympian 64, 17 bar, nitrile	B
Olympian 64, 10 bar, viton	C
Olympian 64, 17 bar, viton	D
Excelon 74, 10 bar, nitrile	E
Excelon 74, 17 bar, nitrile	F
Excelon 74, 10 bar, viton	G
Excelon 74, 17 bar, viton	H

Protocol	Substitute
Busless*	0
AS-i	1
Profibus*	2
Interbus-S*	3
DeviceNet*	4

* Under development – please contact our Technical Service

'Smart' module dimensions



Warning

These products are intended for use in industrial compressed air systems only. Do not use these products where pressures and temperatures can exceed those listed under **'Technical Data'**.

Before using these products with fluids other than those specified, for non-industrial applications, life-support systems, or other applications not within published specifications, consult **NORGREN**.

Through misuse, age, or malfunction, components used in fluid power systems can fail in various modes.

The system designer is warned to consider the failure modes of all component parts used in fluid power systems and to provide adequate safeguards to prevent personal injury or damage to equipment in the event of such failure.

System designers must provide a warning to end users in the system instructional manual if protection against a failure mode cannot be adequately provided.

System designers and end users are cautioned to review specific warnings found in instruction sheets packed and shipped with these products.