

IMI Norgren Guardian 49 Series L49C - Lubricators

- Port size:
1/8 ... 1/2" (ISO G)
- Design allows in-line installation or modular installation with other 49 Series products



Technical features

Medium:
Compressed air,
filtered to better than 40 µm

Maximum inlet pressure:
10 bar (145 psi)

Flow :
78.4L/s , operating pressure
6.3bar with 0.5bar pressure drop,
Port size 1/2"
Port size:
G1/8, G1/4, G3/8, G1/2

Bowl capacity:
G1/8 & G1/4: 20 ml
G3/8 & G1/2: 85 ml


Start point *1):
1/8" & 1/4": 0,25 l/s
3/8", 1/2": 0,5 l/s
*1) Minimum flow rate for
lubricator operation at 5 bar

Drain type:
Closed bottom

Ambient/Media temperature:
0 ... +60°C (+32 ... +140°F)
Air supply must be dry enough
to avoid ice formation at
temperatures below +2°C (+35°F).

Materials:
1/8" & 1/4" Body:
Polyamide
3/8" & 1/2" Body:
Die casting Aluminum
Bowl: Transparent Polycarbonate
Bowl cover: Polyamide
Elastomers: Nitrile

Technical data - standard models

Symbol	Port size	Flow rate (l/s)	Weight (kg)	Bowl	Model without gauge
	G1/8	10	0,105	Transparent without guard	L49C-1GP-ETN
	G1/4	15	0,103	Transparent without guard	L49C-2GP-ETN
	G3/8	25	0,319	Transparent with guard	L49C-3GP-EWN
	G1/2	75	0,309	Transparent with guard	L49C-4GP-EWN

*Typical flow with 6.3 bar (91 PSI) inlet pressure and 0.5 bar (7 PSI) pressure drop.

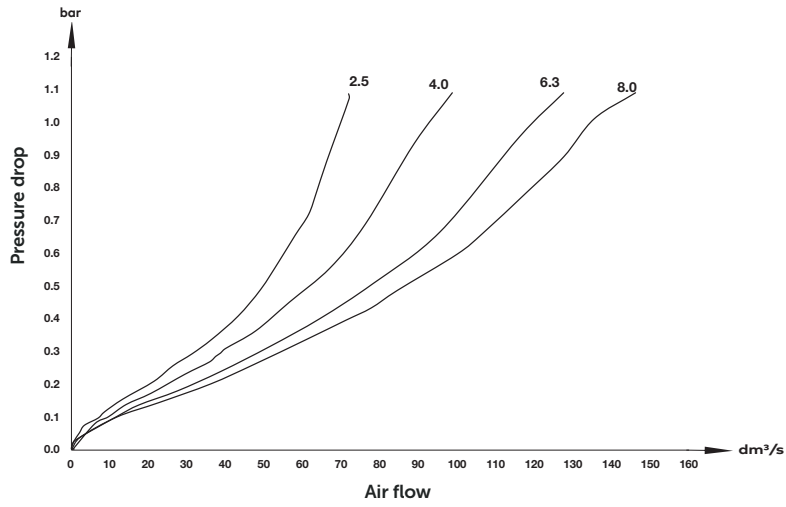
Option selector

Port size		Substitute	L49C-★★P-E★N		Bowl		Substitute
1/8"		1	←	→	Transparent without guard *1)	T	
1/4"		2			Transparent with guard *2)	W	
3/8"		3			Drain	Substitute	
1/2"		4			Closed bottom	E	
Thread form		Substitute					
ISO G		G					

*1) For G1/8 & G1/4 only
*2) For G3/8 & G1/2 only

Flow characteristics

Port size 1/2"



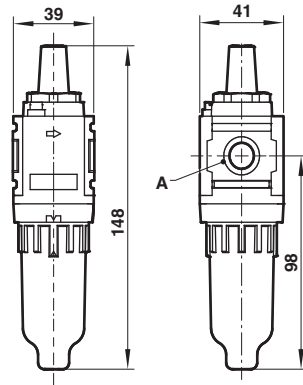
Accessories

	C Bracket	T Bracket *1)	Lubricator bowl
Port size	Page 4	Page 4	
G1/8 & G1/4	49B-021	49B-031	49B-LB1
G3/8 & G1/2	49B-022	49B-032	49B-LB2

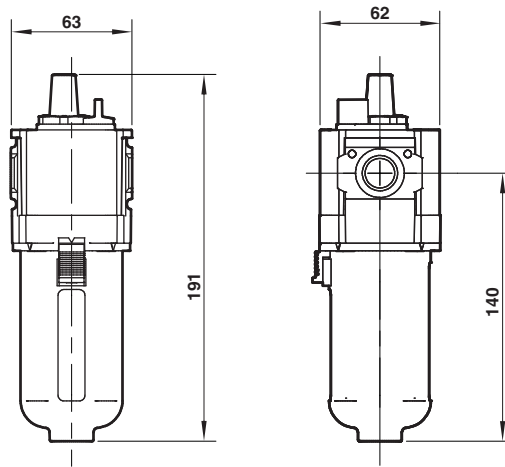
1) T Bracket can be used only when two or more parts of the same port size, or with other 49 Series FRL products are connected

Dimensions
G1/8 & G1/4

Dimensions in mm
Projection/Third angle



G3/8 & G1/2



Port size (A)	Model
G1/8	L49C-1GP-ETN
G1/4	L49C-2GP-ETN
G3/8	L49C-3GP-EWN
G1/2	L49C-4GP-EWN

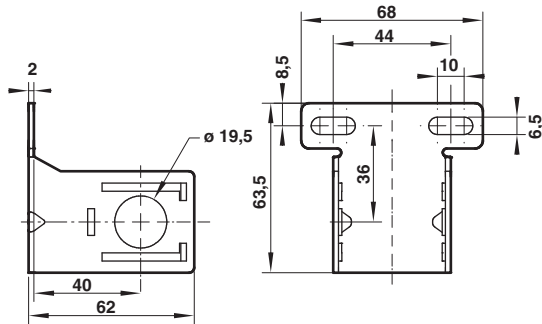
Accessories

Dimensions in mm
Projection/Third angle



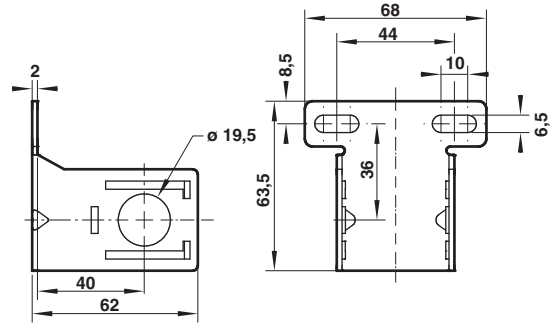
C Bracket

49B-021



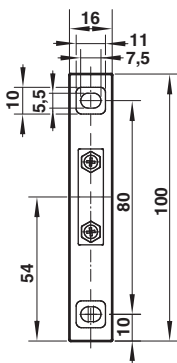
C Bracket

49B-022



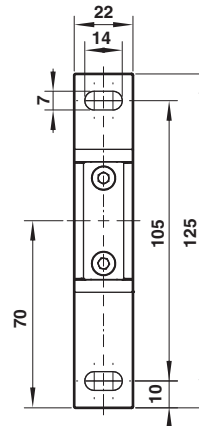
T Bracket

49B-031



T Bracket

49B-032



Warning

These products are intended for use in industrial compressed air systems only. Do not use these products where pressures and temperatures can exceed those listed under »**Technical features/data**«.

Before using these products with fluids other than those specified, for non-industrial applications, life-support systems or other applications not within published specifications, consult IMI Precision Engineering, Norgren Co. Ltd.

Through misuse, age, or malfunction, components used in fluid power systems can fail in various modes. The system designer is warned to consider the failure modes of all component parts used in fluid power systems and to provide adequate safeguards to prevent personal injury or damage to equipment in the event of such failure.

System designers must provide a warning to end users in the system instructional manual if protection against a failure mode cannot be adequately provided.

System designers and end users are cautioned to review specific warnings found in instruction sheets packed and shipped with these products.