

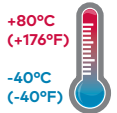
HF84V - Oil vapour removal filter

For Extreme Temperature applications

Excelon® Plus Modular System



- > Port size: 3/8" ... 3/4" (ISO G/PTF)
- > Excelon® Plus design allows in-line installation or modular installation with other Excelon® Plus products
- > Adsorbing type activated carbon element removes oil vapours and most hydrocarbon odours
- > Easy filter maintenance system. Element is removed together with the bowl for faster and cleaner servicing
- > Double safety lock bowl
- > Salt Spray compliant to ISO 9227
- > Air purity class in accordance with ISO8573-1:2010: -:7:0*
*Tested in accordance with the methods laid out in ISO 12500-2 using an inlet oil aerosol concentration of 0.018mg/m³
- > ABS cover with High impact properties



Technical features

Medium:

Compressed air only

Maximum operating pressure:

20 bar (290 psi)

Remaining oil content:

0.003 mg/m³ max. at +21°C (+69°F)

Port size:

G3/8, G1/2, G3/4, 3/8 PTF, 1/2 PTF, 3/4 PTF

Flow:

25 dm³/s

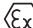
To maintain stated oil content at port size: G1/2

Operating pressure:

6.3 bar (91 psi)

Atex:

Filters HF84 are in conformity with Atex 2014/34/EU

 II 2 GD

Ex h IIC T6 Gb

EX h IIIC T85°C Db

Ambient/Media temperature:

-40 ... +80°C (-40 ... +176°F)

Air supply must be dry enough to avoid ice formation at temperatures below +2°C (+35°F).

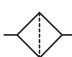
Note:

Install an HF84C coalescing filter upstream of the HF84V filter for maximum service life.

Materials:

Body: Die cast aluminium
Body covers: ABS (Magnum 3904)
Metal Bowl: Die cast Aluminium
Bowl O-ring: Low temperature Nitrile
Elastomers: Low temperature Nitrile

Technical data HF84V - standard models

Symbol	Port size	Drain	Filter element	Bowl	Weight (kg)	Model
	G3/8	Closed bowl	Vapor removal	Metal	0.51	HF84V-3GN-EMA
	G1/2	Closed bowl	Vapor removal	Metal	0.50	HF84V-4GN-EMA
	G3/4	Closed bowl	Vapor removal	Metal	0.49	HF84V-6GN-EMA

Option selector
HF84V-★★N-EMA

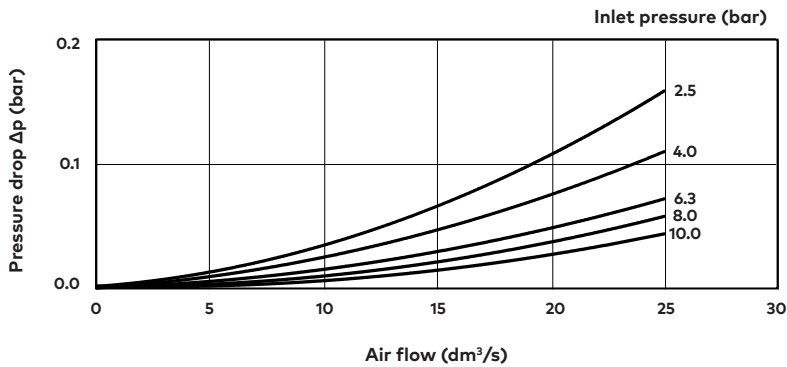
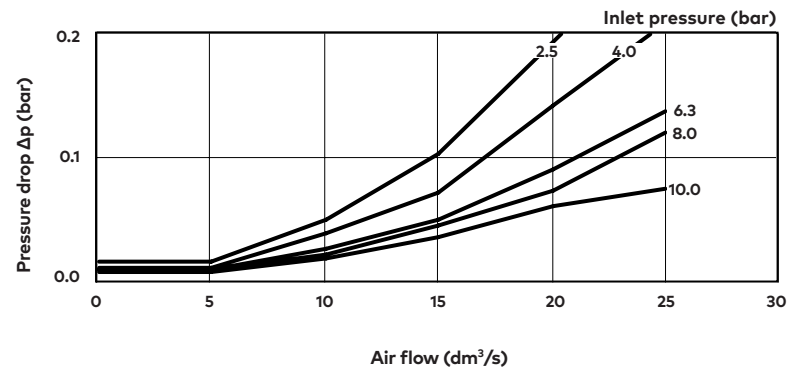
Port size	Substitute
3/8"	3
1/2"	4
3/4"	6

Thread form	Substitute
PTF	A
ISO G parallel (standard)	G

Typical performance characteristics

Inlet pressure (bar)	Maximum flow (dm ³ /s) *1)
2.50	15
4.00	20
6.30	25
8.00	28
10.00	30

*1) Maximum flow to maintain stated oil removal performance

Flow characteristics
Port size: 1/2"

Port size: 3/8"


Accessories

Wall mounting bracket



Page 6

H840024-50KIT

Quikclamp®



Page 6

H840014-51KIT

Quikclamp® with bracket assembled



Page 6

H840014-52KIT

Port Adaptors



Page 7

3/8 PTF	H840015-02KIT
1/2 PTF	H840015-03KIT
3/4 PTF	H840015-04KIT
G3/8	H840015-10KIT
G1/2	H840015-11KIT
G3/4	H840015-12KIT

Pressure sensing block 1/4 PTF



Page 6

H840016-50KIT

Pressure sensing block G1/4



Page 6

H840016-51KIT

Full flow porting block, horizontal, 3/4 PTF



Page 6

H840028-50KIT

Full flow porting block, horizontal, G3/4



Page 6

H840028-53KIT

Full flow porting block, vertical, 3/4 PTF



Page 6

H840028-68KIT

Full flow porting block, vertical G3/4



Page 6

H840028-69KIT

Pressure switch 18D (0,5 ... 8bar) *4



Page 8

0881300

Digital pressure switch 51D (-1 ... 10 bar) *2



Page 8

0860810

Pressure switch interface block (18D pressure switch) G1/4



Page 6

0337717000000000

*2) -20 ... +60°C (-4 ... +140°F)

*4) -10 ... +85°C (-14 ... +185°F)

Maintenance/Service

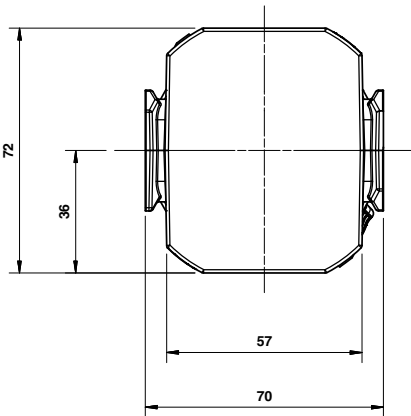
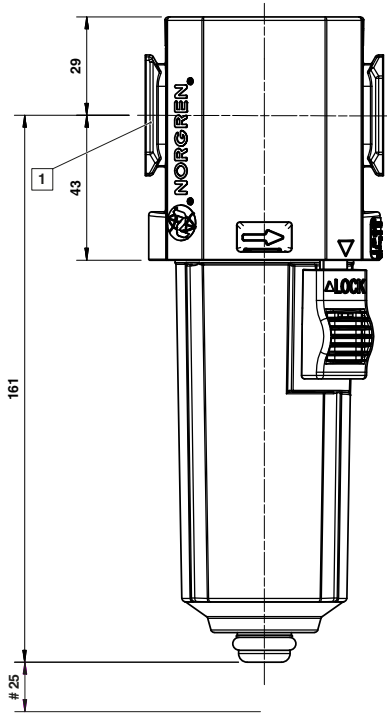
Vapour Removal filter element



H840041-50KIT

Dimensions

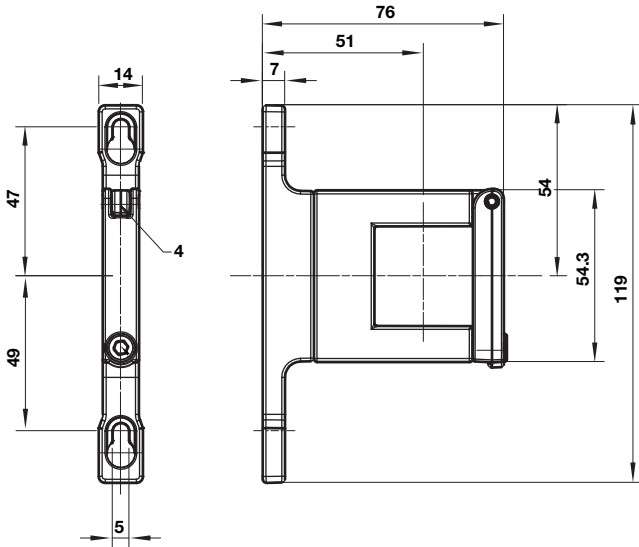
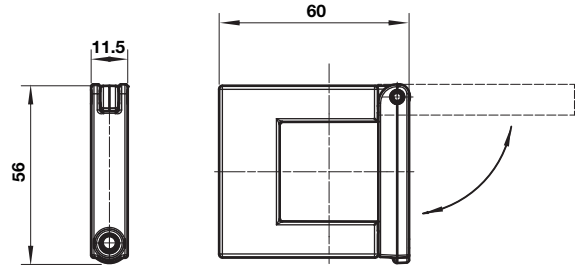
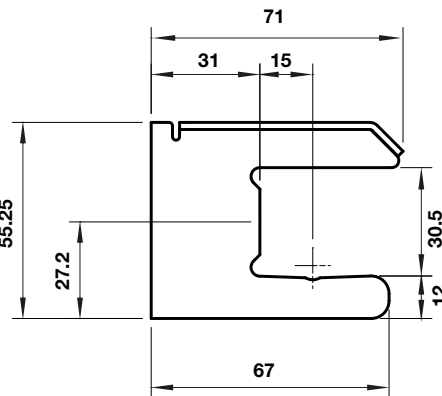
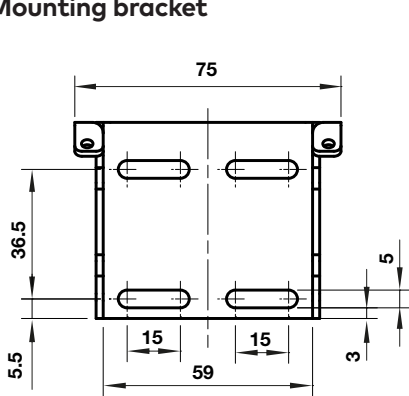
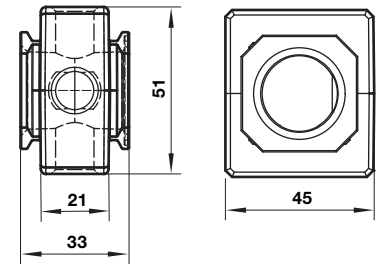
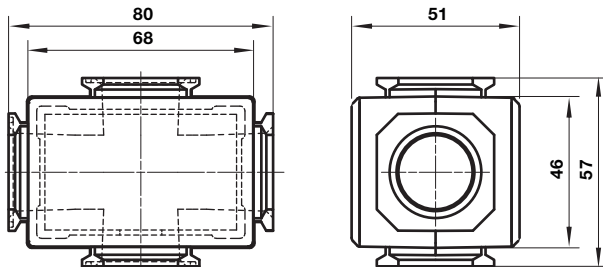
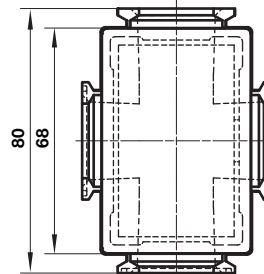
Dimensions in mm
Projection/Third angle



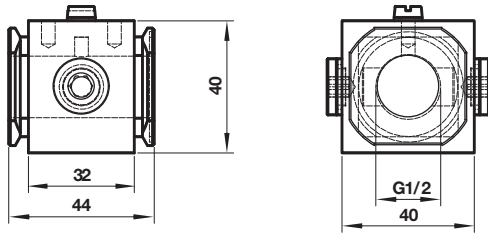
Minimum clearance for bowl removal
 1 Main ports 3/8", 1/2" or 3/4"
 (ISO G/PTF)

Accessories


 Dimensions in mm
 Projection/First angle

Quikclamp® with wall bracket

Quikclamp®

Mounting bracket

Pressure sensing block

Full flow porting block horizontal

Full flow porting block vertical

Pipe adaptor

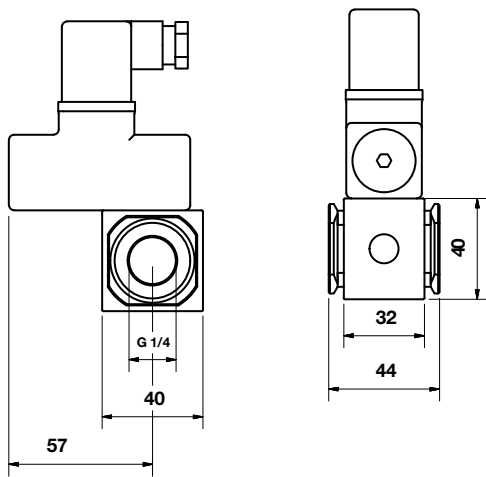

Porting block for 18D pressure switch



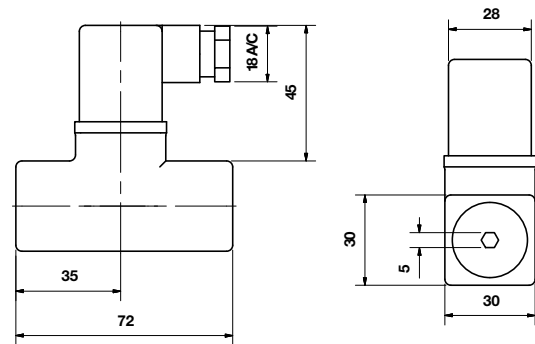
Dimensions in mm
Projection/First angle



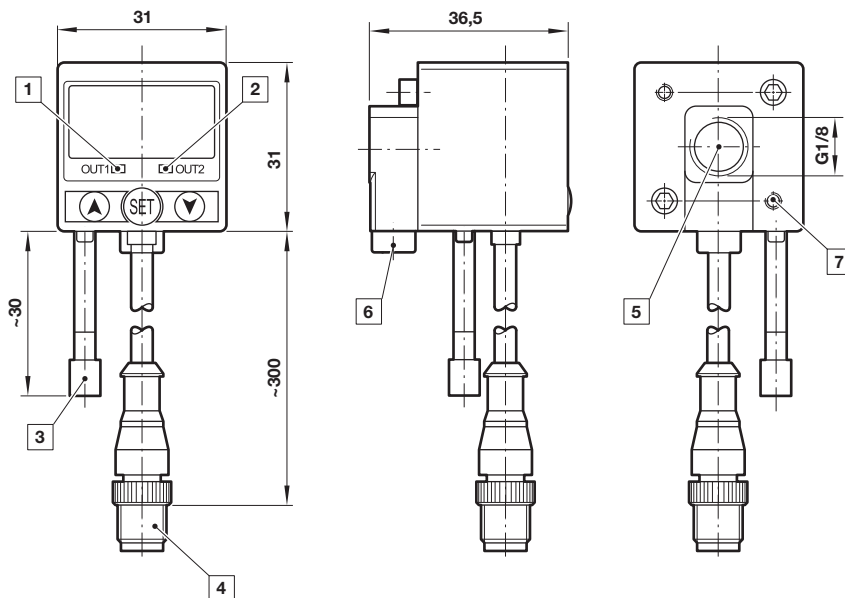
18D Porting block and 18D assembled



18D Pressure switch



51D Pressure switch - digital



- 1 Switch OUT 1, green LED
- 2 Switch OUT 2, red LED
- 3 Dustproof protector
- 4 Connector M12 x 1
- 5 Inlet port
- 6 Alternative inlet port G1/8 plugged
- 7 Thread for mounting screw

Warning

These products are intended for use in industrial compressed air systems only. Do not use these products where pressures and temperatures can exceed those listed under »**Technical features/data**«.

Before using these products with fluids other than those specified, for non-industrial applications, life-support systems or other applications not within published specifications, consult Norgren Ltd.

Through misuse, age, or malfunction, components used in fluid power systems can fail in various modes.

The system designer is warned to consider the failure modes of all component parts used in fluid power systems and to provide adequate safeguards to prevent personal injury or damage to equipment in the event of such failure.

System designers must provide a warning to end users in the system instructional manual if protection against a failure mode cannot be adequately provided.

System designers and end users are cautioned to review specific warnings found in instruction sheets packed and shipped with these products.