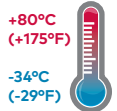


# HL84M, HL84C - Lubricators For Extreme Temperature Applications Excelon® Plus Modular System



- > Port size: 3/8" ... 3/4" (ISO G/PTF)
- > Excelon® Plus design allows in-line installation or modular installation with other Excelon® Plus products
- > Flow sensor provides a nearly constant oil/air ratio over a wide range of flows
- > Double safety lock bowl
- > Metal bowl with prismatic liquid level indicator lens
- > All round (360°) visibility of sightdome for ease of drip rate setting
- > Choice of two oil delivery systems
- > Salt Spray compliant to ISO 9227
- > ABS cover with High impact properties



## Technical features

### Medium:

Compressed air only

### Maximum supply pressure:

Metal bowl: 20 bar (290 psi)

### Bowl

0,2 litre

### Port size:

G3/8, G1/2, G3/4, 3/8 PTF, 1/2 PTF, 3/4 PTF

### Flow:

Micro-fog : 73 dm<sup>3</sup>/s  
Oil-fog: 91 dm<sup>3</sup>/s at port size: 1/2", operating pressure: 6,3 bar (91 psi) and Δp: 0,5 bar (7.25 psi)

### Start point:

0,94 dm<sup>3</sup>/s


### Ambient/Media temperature:

-34 ... 80°C (-29 ... +175°F)  
Air supply must be dry enough to avoid ice formation at temperatures below +2°C (+35°F).

### Materials:

Metal Bowl: Die cast Aluminium with PA liquid level indicator lens  
Body: Die cast aluminium  
Body cover: ABS (Magnum 3904)  
Sightdome: Transparent PA  
Bowl O-ring: Low temperature Nitrile Elastomers:  
Low temperature Nitrile

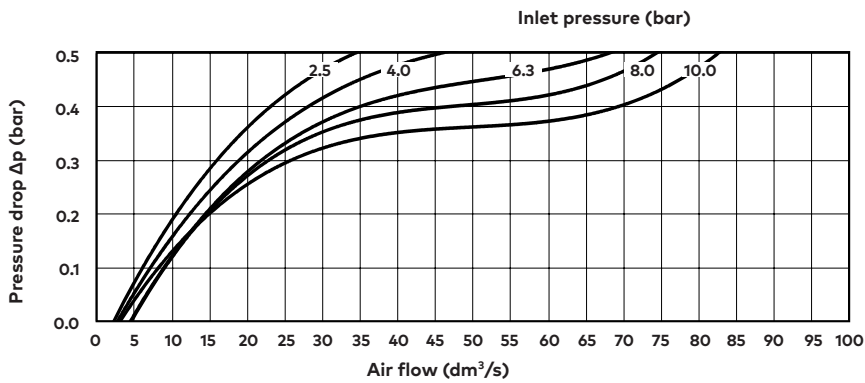
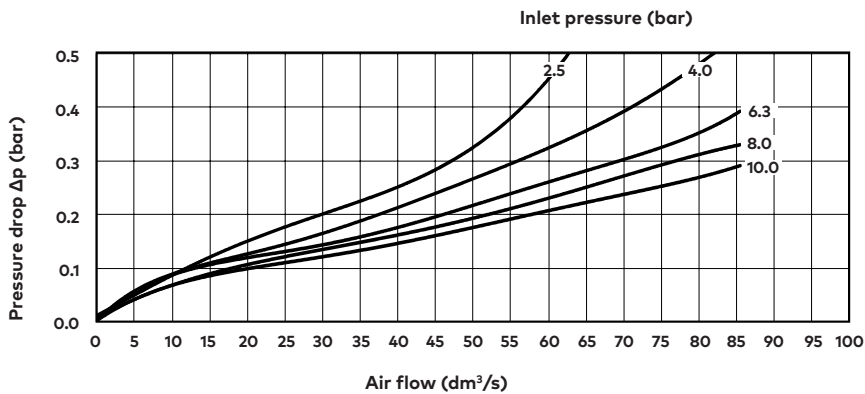
## Technical data HL84 - standard models

Symbol	Port size	Lubricator type	Bowl	Weight (kg)	Model
	G3/8	Micro fog	Metal with level indicator	0,53	HL84M-3GP-EDN
	G1/2	Micro fog	Metal with level indicator	0,53	HL84M-4GP-EDN
	G3/4	Micro fog	Metal with level indicator	0,53	HL84M-6GP-EDN
	G3/8	Oil fog	Metal with level indicator	0,53	HL84C-3GP-EDN
	G1/2	Oil fog	Metal with level indicator	0,53	HL84C-4GP-EDN
	G3/4	Oil fog	Metal with level indicator	0,53	HL84C-6GP-EDN

**Option selector**
**HL84★-★★P-EDN**

Type	Substitute
Oil fog lubricator	C
Micro fog lubricator	M
Port size	Substitute
3/8"	3
1/2"	4
3/4"	6

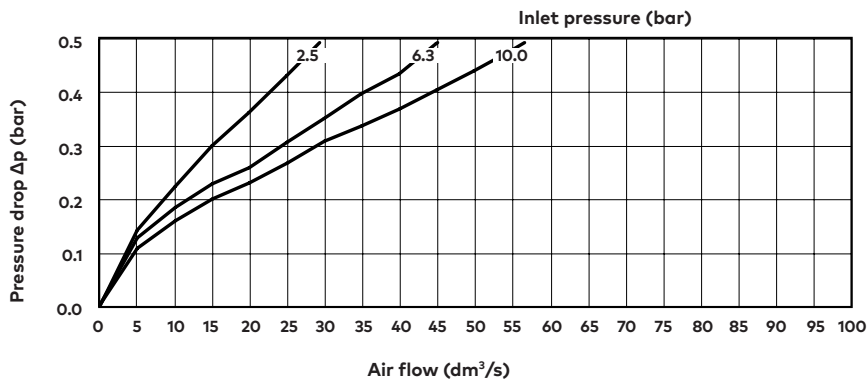
Thread form	Substitute
PTF	A
ISO G parallel (standard)	G

**Flow characteristics**
**Micro fog**
**Port size: 1/2"**

**Oil fog**
**Port size: 1/2"**


## Flow characteristics

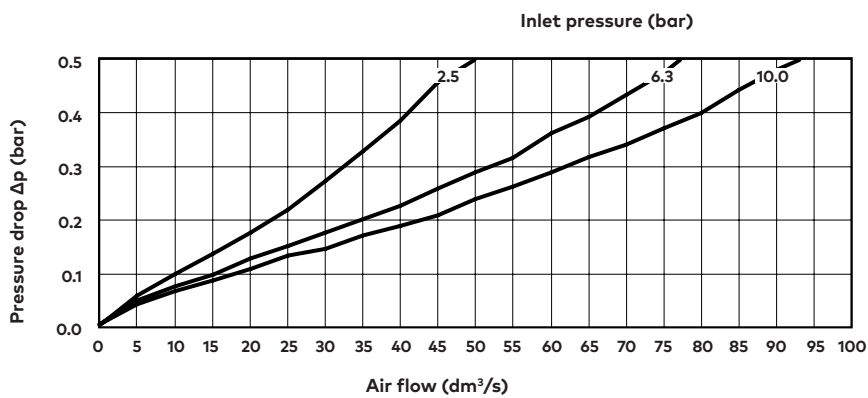
Micro fog

Port size: 3/8"










Oil fog

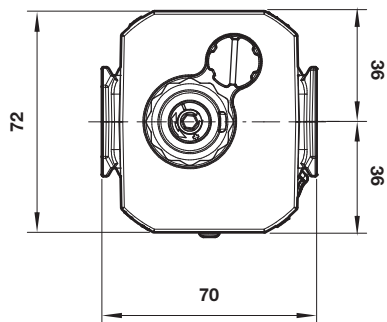
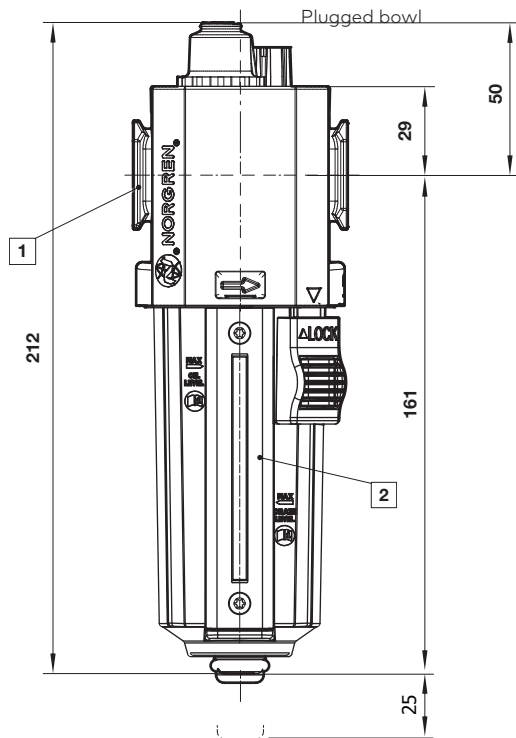
Port size: 3/8"



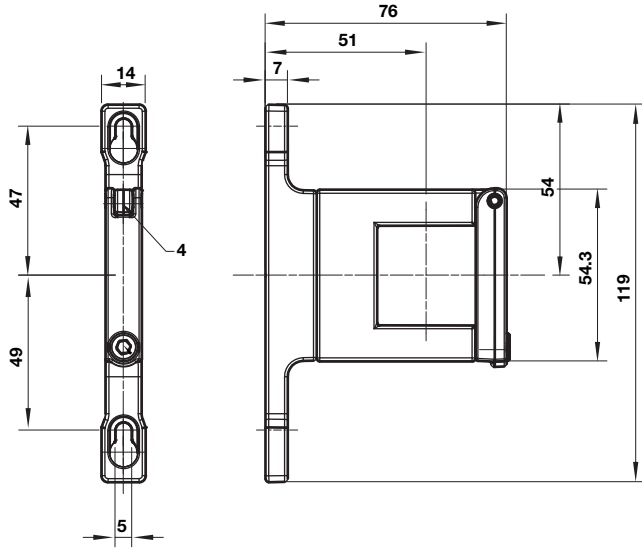
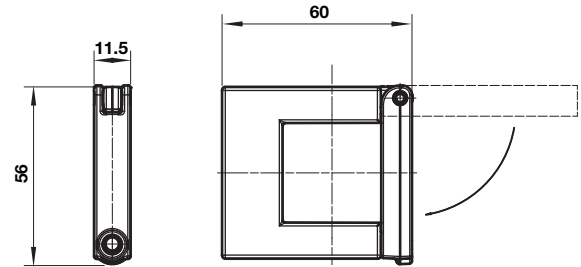
**Accessories**

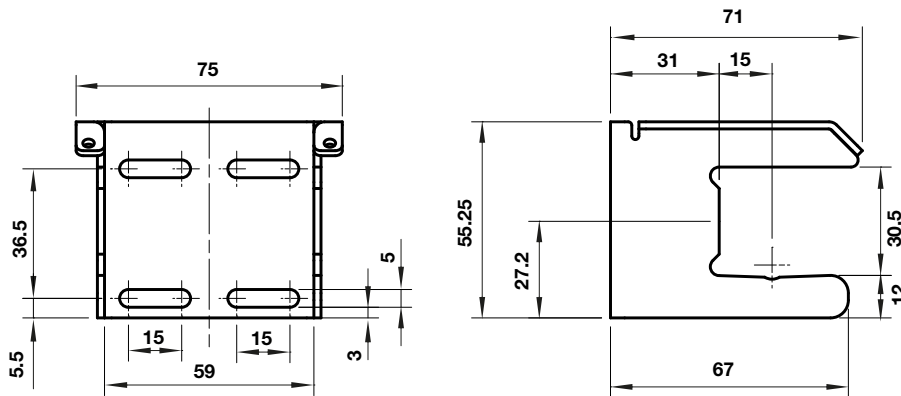
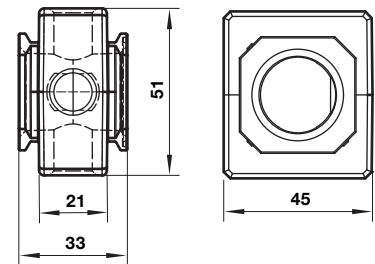
<b>Wall mounting bracket</b>  <b>Page 6</b> 840024-50KIT	<b>Quikclamp®</b>  <b>Page 6</b> H840014-51KIT	<b>Quikclamp® with bracket assembled</b>  <b>Page 6</b> H840014-52KIT	<b>Pressure sensing block 1/4 PTF</b>  <b>Page 6</b> H840016-50KIT	<b>Pressure sensing block G1/4</b>  <b>Page 6</b> H840016-51KIT												
<b>Full flow porting block 3/4" PTF</b>  <b>Page 6</b> H840028-50KIT	<b>Full flow porting block G3/4</b>  <b>Page 6</b> H840028-53KIT	<b>Full flow porting block 3/4" PTF</b>  <b>Page 6</b> H840028-68KIT	<b>Full flow porting block G3/4</b>  <b>Page 6</b> H840028-69KIT	<b>Port Adaptors</b>  <b>Page 7</b> <table border="1" data-bbox="1209 779 1481 958"> <tbody> <tr> <td>3/8 PTF</td> <td>H840015-02KIT</td> </tr> <tr> <td>1/2 PTF</td> <td>H840015-03KIT</td> </tr> <tr> <td>3/4 PTF</td> <td>H840015-04KIT</td> </tr> <tr> <td>G3/8</td> <td>H840015-10KIT</td> </tr> <tr> <td>G1/2</td> <td>H840015-11KIT</td> </tr> <tr> <td>G3/4</td> <td>H840015-12KIT</td> </tr> </tbody> </table>	3/8 PTF	H840015-02KIT	1/2 PTF	H840015-03KIT	3/4 PTF	H840015-04KIT	G3/8	H840015-10KIT	G1/2	H840015-11KIT	G3/4	H840015-12KIT
3/8 PTF	H840015-02KIT															
1/2 PTF	H840015-03KIT															
3/4 PTF	H840015-04KIT															
G3/8	H840015-10KIT															
G1/2	H840015-11KIT															
G3/4	H840015-12KIT															
<b>Pressure switch interface block (18D pressure switch) G1/4</b>  <b>Page 8</b> 0337717000000000																
<b>Pressure switch 18D (0,5 ... 8bar) *4</b>  <b>Page 8</b> 0881300	<b>Digital pressure switch 51D (-1 ... 10 bar) *2</b>  <b>Page 8</b> 0860810															
*2) -20 ... +60°C (-4 ... +140°F) *4) -10°... +85°C (-14° ...+185°F)																
<b>Quick fill nipple</b>  18-011-024	<b>Lubricator sight dome kit</b>  Micro fog (red) 840055-50KIT Oil fog (green) 840055-51KIT															

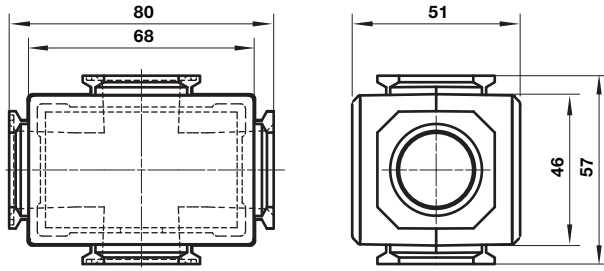
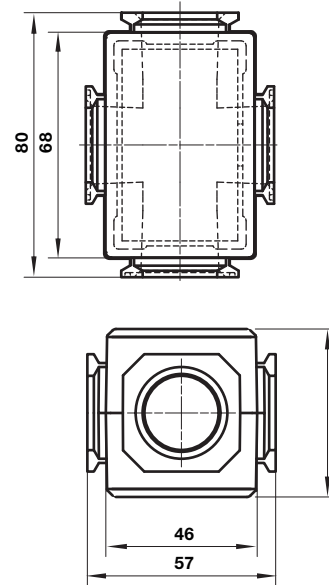
**Dimensions**

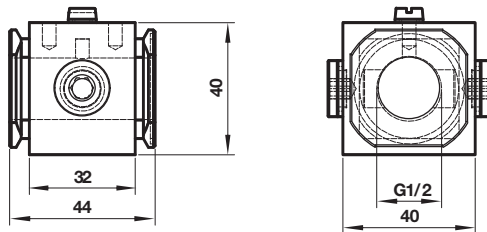
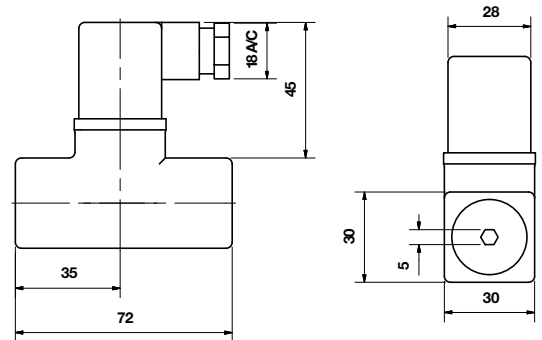
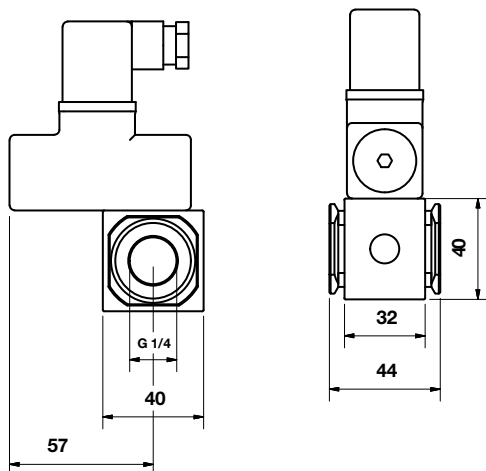
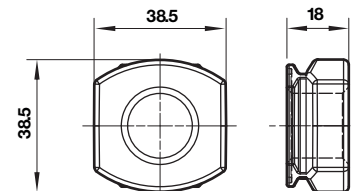
 Dimensions in mm  
 Projection/First angle


- 1 Main ports 3/8", 1/2" or 3/4"  
(ISO G/PTF)
- 2 Metal bowl with liquid level indicator lens

**Accessories**
**Quikclamp® with wall bracket**

**Quikclamp®**

 Dimensions in mm  
 Projection/First angle

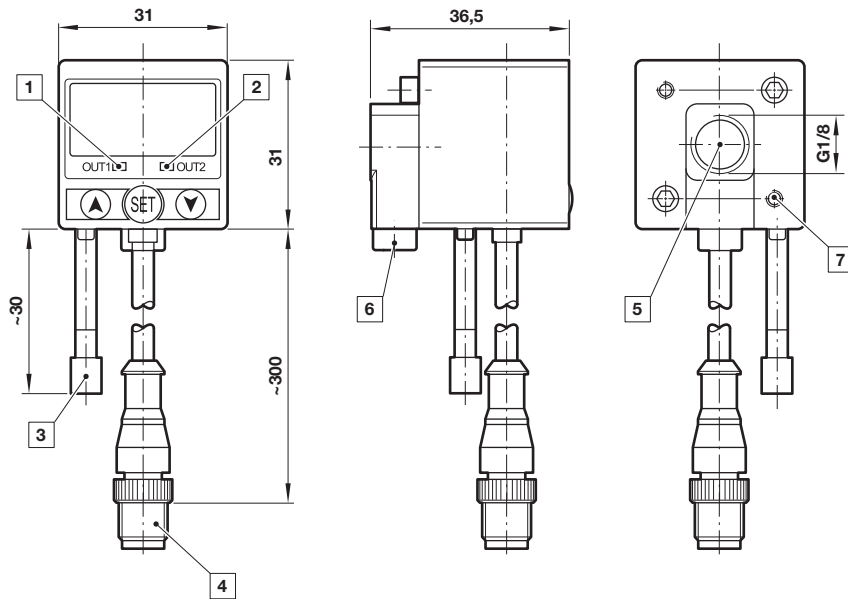
**Mounting bracket**

**Pressure sensing block**


**Full flow porting block horizontal**

**Full flow porting block vertical**

 Dimensions in mm  
 Projection/First angle

**Porting block for 18D pressure switch**

**18D Pressure switch**

**18D Porting block and 18D assembled**

**Pipe adaptor**


## 51D Pressure switch - digital

Dimensions in mm  
Projection/First angle



- 1 Switch OUT 1, green LED
- 2 Switch OUT 2, red LED
- 3 Dustproof protector
- 4 Connector M12 x 1
- 5 Inlet port
- 6 Alternative inlet port G1/8 plugged
- 7 Thread for mounting screw

### Warning

These products are intended for use in industrial compressed air systems only. Do not use these products where pressures and temperatures can exceed those listed under »**Technical features/ data**«.

Before using these products with fluids other than those specified, for non-industrial applications, life-support systems or other applications not within published specifications, consult Norgren Ltd.

Through misuse, age, or malfunction, components used in fluid power systems can fail in various modes.

The system designer is warned to consider the failure modes of all component parts used in fluid power systems and to provide adequate safeguards to prevent personal injury or damage to equipment in the event of such failure.

System designers must provide a warning to end users in the system instructional manual if protection against a failure mode cannot be adequately provided.

System designers and end users are cautioned to review specific warnings found in instruction sheets packed and shipped with these products.