

- > **Port size:**
3/4" ... 1 1/2"
(ISO G/PTF)
- > **Micro-fog lubricators**
provide a fine mist for
most general purpose
pneumatic applications
- > **Oil-fog lubricators** for
heavy duty lubrication
- > **Flow sensor design**
provides a nearly
constant oil/air ratio
over a wide range
of air flows


Technical features
Medium:

Compressed air only

Maximum operating pressure:

17 bar (246 psi)

Flow:

See below

Port size:

3/4", 1", 1 1/4" or 1 1/2"

Start point
**(minimum flow required for
lubricator operation):**

 3,8 dm³/s (8 scfm) at 6,3 bar (90
psi) inlet pressure

Bowl size:

0,5 or 1 litre

Fluid/Ambient temperature:

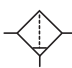
-20 ... +80°C (0 ... +176°F)

 Air supply must be dry enough to
avoid ice formation at temperatures
below +2°C (+35°F).

Materials:

 Body and bowl: Aluminium alloy
Sight feed dome: Transparent PA
Elastomers: CR & NBR

Technical data, standard models

Symbol	Port size	Flow *1) (dm ³ /s)	Lubricator type	Weight (kg)	Model
	G3/4	76	Micro-fog	1,69	L17-600-MP9G
	G1	130	Micro-fog	1,62	L17-800-MP9G
	G1 1/4	130	Micro-fog	2,11	L17-A00-MP9G
	Rp1 1/2	130	Micro-fog	1,67	L17-B00-MP9C
	G3/4	76	Oil-fog	1,69	L17-600-OP9G
	G1	130	Oil-fog	1,62	L17-800-OP9G
	G1 1/4	130	Oil-fog	2,11	L17-A00-OP9G
	Rp1 1/2	130	Oil-fog	1,67	L17-B00-OP9C

*1) Typical flow with 6,3 bar (90 psig) inlet pressure and Δp: 0,5 bar (7 psig).

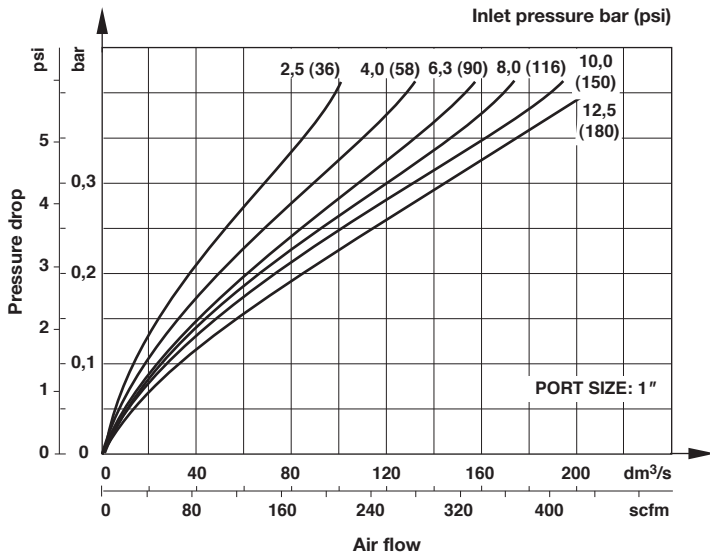
Option selector
L17-★00-★P★★

Port size	Substitute
3/4"	6
1"	8
1 1/4"	A
1 1/2"	B
Lubricator	Substitute
Micro-fog	M
Oil-fog	O

Thread	Substitute
PTF	A
ISO Rp (only 1-1/2" ported)	C
ISO G (standard) (not available with 1 1/2" ported units)	G
Bowl	Substitute
0,5 litre, sight glass (standard)	9
1 litre, manual drain, sight glass	D

Flow characteristics

Port size 1"



Accessories

Wall mounting bracket



Port size

3/4"	6212-50
1"	6212-50
1 1/4"	6212-51
1 1/2"	6212-51

Service kit

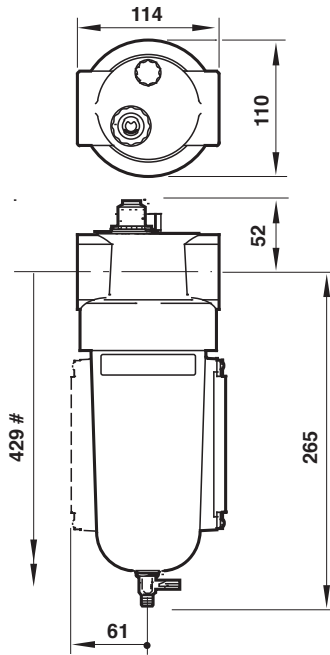


Micro fog: L17-100M | **Oil fog:** L17-100

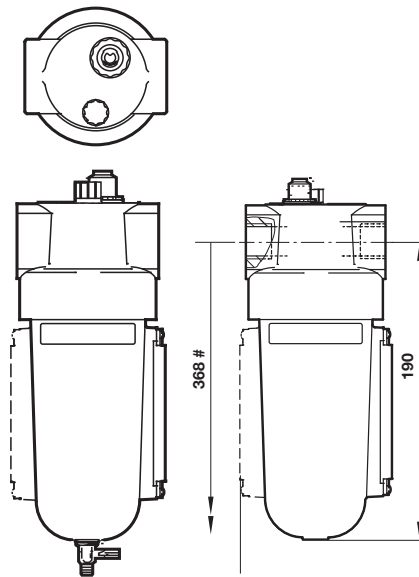
Sight dome replacements



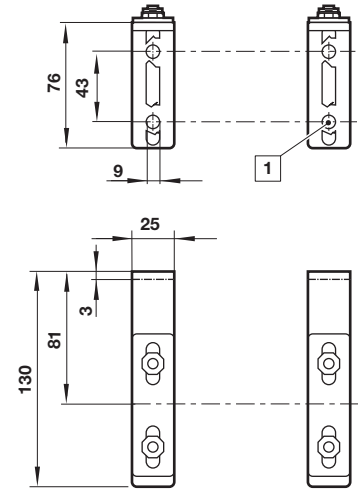
Micro red: 4055-50 | **Oil green:** 4055-51

Dimensions
L17 Micro fog

1 litre

Min clearance required to remove bowl.

L17 Oil fog

0,5 litre

 Dimensions in mm
 Projection/First angle

Wall mounting brackets
6212-50, 6212-51

1 Mounting holes

Warning

These products are intended for use in industrial compressed air systems only. Do not use these products where pressures and temperatures can exceed those listed under »**Technical features/data**«.

Before using these products with fluids other than those specified, for non-industrial applications, life-support systems or other applications not within published specifications, consult IMI Precision Engineering, Norgren Inc.

Through misuse, age, or malfunction, components used in fluid power systems can fail in various modes. The system designer is warned to consider the failure modes of all component parts used in fluid power systems and to provide adequate safeguards to prevent personal injury or damage to equipment in the event of such failure.

System designers must provide a warning to end users in the system instructional manual if protection against a failure mode cannot be adequately provided.

System designers and end users are cautioned to review specific warnings found in instruction sheets packed and shipped with these products.