

F18 series

General purpose pressure filter

- Port size: 1 1/2" & 2" (ISO G, PTF)
- High flow with minimal pressure drop
- Direct ported filter with high water removal efficiency
- Highly visible, prismatic liquid level indicator lens



Technical features

Medium:
Compressed air

Maximum operating pressure:
17 bar

Particle removal:
40 µm standard, 5 µm optional

Flow:
See below

Port size:
1 1/2" or 2"

Drain:
Automatic or manual

Automatic drain operating conditions (float operated):
Bowl pressure required to close drain: > 0,35 bar (5 psi)
Bowl pressure required to open drain: ≤ 0,2 bar (2.9 psi)
Minimum air flow required to close drain: 0,1 dm³/s (0.2 scfm)
Manual operation: depress pin inside drain outlet to drain bowl.

Ambient/Media temperature:
-34 ... 80°C (-30 ... 176 °F)
Air supply must be dry enough to avoid ice formation at temperatures below 2°C (+35 °F).

Materials:
Body, intermediate body and bowl: Aluminum
Liquid level indicator: Transparent PA
Filter element: Sintered bronze
Elastomers: NBR

Technical data, standard models

Symbol	Port size	Filter element (µm)	Flow *1) (dm ³ /s)	Drain	Bowl	Weight (kg)	Model
	G 1 1/2	40	765	Manual	Metal	6,7	F18-B00-M3DG
	G 2	40	765	Manual	Metal	6,6	F18-C00-M3DG
	G 1 1/2	40	765	Automatic	Metal	6,7	F18-B00-A3DG
	G 2	40	765	Automatic	Metal	6,6	F18-C00-A3DG

*1) Typical flow with a 40 µm element at 6,3 bar inlet pressure and 0,5 bar pressure drop.

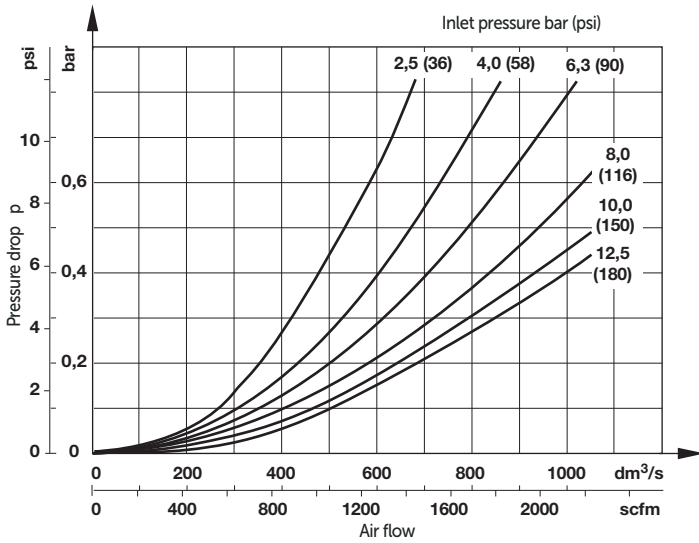
Option selector

F18-★0★-★★D★

Port size	Substitute	←	→	Thread	Substitute
G 1 1/2	B			PTF	A
G 2	C			ISO G parallel (standard)	G
Service Indicator	Substitute	←	→	Filter element	Substitute
None	0			5 µm	1
Mechanical	1			40 µm (standard)	3
				Drain	Substitute
				Automatic	A
				Manual, 1/4 turn	M

Flow characteristics

Port size 2", 40 µm filter element

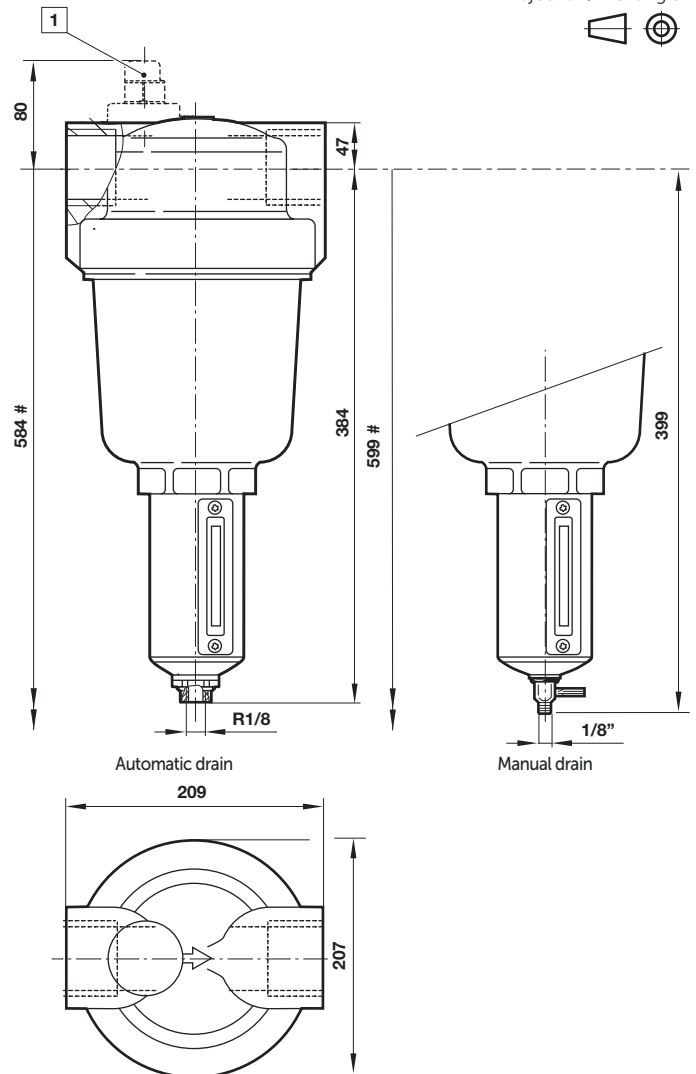


Service kit



Dimensions

Dimensions in mm
Projection/First angle



Min clearance required to remove intermediate body and bowl.

1 Services indicator optional

Warning

These products are intended for use in industrial compressed air systems only. Do not use these products where pressures and temperatures can exceed those listed under »Technical features/ data«.

Before using these products with fluids other than those specified, for non-industrial applications, life-support systems or other applications not within published specifications, consult Norgren.

Through misuse, age, or malfunction, components used in fluid power systems can fail in various modes.

The system designer is warned to consider the failure modes of all component parts used in fluid power systems and to provide adequate safeguards to prevent personal injury or damage to equipment in the event of such failure.

System designers must provide a warning to end users in the system instructional manual if protection against a failure mode cannot be adequately provided.

System designers and end users are cautioned to review specific warnings found in instruction sheets packed and shipped with these products.