


**Instrument Regulator
Aluminium Model
1/4" PTF**

- **Compact instrument units with high performance**
- **Stable regulation with temperature compensation**
- **Excellent flow and regulation characteristics**
- **Panel Mounting facility**


Technical Data

Fluid: Compressed air

Maximum pressure: 20 bar (290 psig)

Operating temperature: -40° to +80°C (-40° to +175°F) *

* Air supply must be dry enough to avoid ice formation at temperatures below +2°C (+35°F).

Typical flow at 7 bar (100 psig) inlet pressure, 1 bar (15 psig) set pressure and a droop of 0,07 bar (1 psig) from set:

8 dm³/s (17 scfm)

Typical relief differential at 2 bar (30 psig) outlet pressure:

0,16 bar (2.3 psig)

Maximum bleed flow at 2 bar (30 psig) outlet pressure (relieving types only):

1,5 cm³/s (0.003 scfm)

Gauge ports:

1/4" PTF

Materials (standard option):

Body: Aluminium alloy

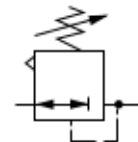
Bonnet: Aluminium alloy

Adjusting screw: Steel

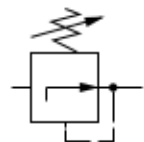
Elastomeric materials: Synthetic rubber

Ordering Information

See *Ordering Information* on the following pages.

ISO Symbol


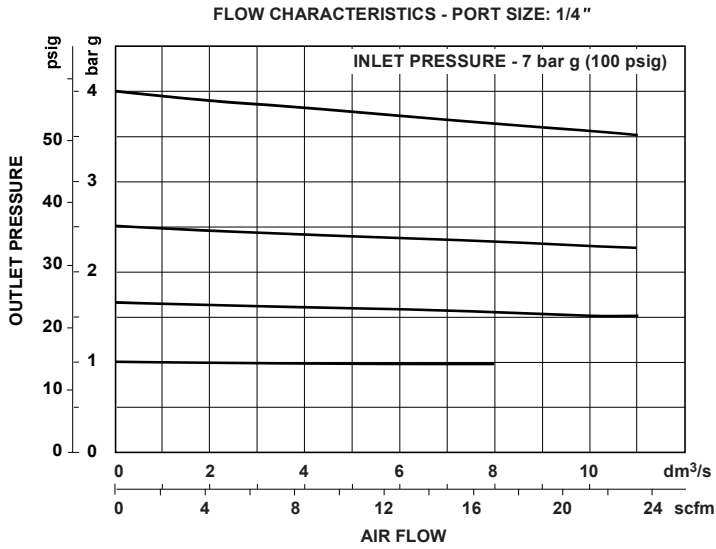
Relieving



Non Relieving



Typical Performance Characteristics



Ordering Information. Models listed are PTF threads, hex. screw adjustment, 0,04 to 2 bar (0.6 to 30 psig) outlet pressure adjustment range, and without gauge.

| Port Size | Model Number | Relief Type | Weight kg (lbs) |
|-----------|--------------|---------------|-----------------|
| 1/4" PTF | R38-200-RNCA | Relieving | 0,48 (1.06) |
| 1/4" PTF | R38-200-NNCA | Non relieving | 0,46 (1.01) |

Alternative Models

R 3 8 - ★ ★ ★ - ★ ★ ★ ★

| Port Size | Substitute |
|-----------|------------|
| 1/4" PTF | 2 |

| Option | Substitute |
|----------------------|------------|
| Aluminium (standard) | 0 |
| Viton | 1 |

| Mounting Option | Substitute |
|---------------------------------|------------|
| Without | 0 |
| With bracket and nut | 1 |
| With panel nut only | 2 |
| With handwheel and nut | 3 |
| With handwheel, bracket and nut | 4 |
| With handwheel only | 5 |

| Threads | Substitute |
|----------------|------------|
| PTF | A |
| ISO Rc taper | B |
| ISO G parallel | D |
| API.LP.INT | K |

| Outlet Pressure Adjustment Ranges* | Substitute |
|------------------------------------|------------|
| 0,04 to 2 bar (0.6 to 30 psig) | C |
| 0,07 to 4 bar (1 to 60 psig) | F |
| 0,25 to 7 bar (3.6 to 100 psig) | K |

| Gauges | Substitute |
|---------|------------|
| Without | N |

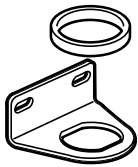

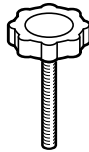

| Diaphragm | Substitute |
|---------------|------------|
| Relieving | R |
| Non relieving | N |


* Outlet pressure can be adjusted to pressures in excess of, and less than, those specified. Do not use these units to control pressures outside of the specified ranges.

Please contact our technical service for details of non standard models including maximum pressure stop, etc.



Accessories

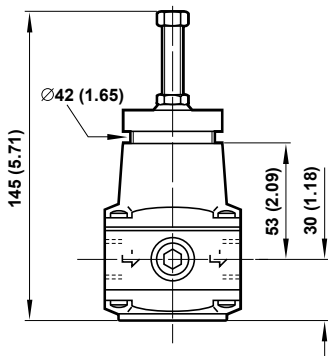
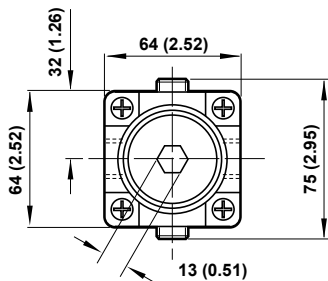
| | | | |
|--|--|---|--|
|  <p>Wall Mounting Bracket Kit</p> |  <p>Panel Nut</p> |  <p>Plastic Adjusting Knob</p> |  <p>Tamper Resistant Waterproof Cap</p> |
| 18-001-974 | 5988-01 | 655-97 | 18-004-987 |

| | |
|--|------------|
|  <p>Ø 40 mm Pressure Gauge 1/4" PTF Connection</p> | |
| 25 bar g (350 psig) | 18-013-905 |
| 10 bar g (120 psig) | 18-013-909 |
| 6 bar g (80 psig): | 18-013-913 |

Dimensions mm (inches)

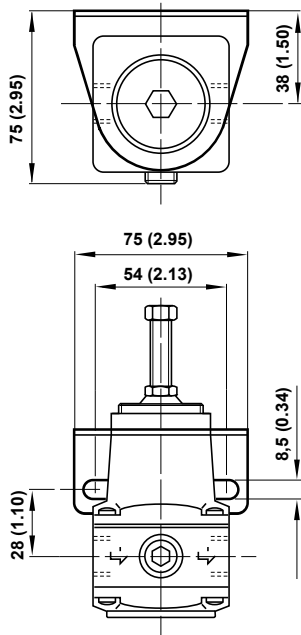
Panel mounting hole diameter: 42 mm (1.65")

Panel thickness: 0 to 6 mm (0" to 0.24")





Bracket Mounting



Bracket Kit Reference

| Item | Part Number |
|------------|-------------|
| All models | 18-001-974 |

Includes panel mounting nut.

Service Kits (standard option)

| Item | Type | Part number |
|--------------|---------------|-------------|
| 2 bar | Relieving | R38-100-R |
| | Non relieving | R38-100-NR |
| 4 bar, 7 bar | Relieving | R38-101-R |
| | Non relieving | R38-101-NR |

Service kits includes diaphragm assembly, o-ring, valve, valve spring and 8 pan head screws.

Warning

These products are intended for use in industrial compressed air systems only. Do not use these products where pressures and temperatures can exceed those listed under 'Technical Data'.

Before using these products with fluids other than those specified, for non-industrial applications, life-support systems, or other applications not within published specifications, consult NORGREN.

Through misuse, age, or malfunction, components used in fluid power systems can fail in various modes. The system designer is warned to consider the failure modes of all component parts used in fluid power systems and to provide adequate safeguards to prevent personal injury or damage to equipment in the event of such failure.

System designers must provide a warning to end users in the system instructional manual if protection against a failure mode cannot be adequately provided.

System designers and end users are cautioned to review specific warnings found in instruction sheets packed and shipped with these products.

Water vapor will pass through these units and will condense into liquid if air temperature drops in the downstream system. Install an air dryer if water condensation could have a detrimental effect on the application.