

## R22 Regulator (stainless steel)

- Port size: 1/2 PTF
- Lloyd’s register type approved
- Applications include marine environment, oil and gas production, chemical and industrial compressed air systems
- Balanced valve for accurate and rapid response to flow demand and line pressure changes
- Metallic parts meet NACE \*

\* National Association of Corrosion Engineers (NACE) MR-01-75 defines requirements for sulphide stress cracking resistant materials used in well-head and other corrosive environments.



### Technical features

**Medium:**  
Compressed air only

**Operating pressure:**  
20 bar max (290 psi)

**Pressure range:**  
0,4 ... 10 bar (5,8 ... 145 psi),  
0 ... 4 bar (0 ... 58 psi),  
2 ... 16 bar (29 ... 232 psi)

**Port sizes:**  
1/2 PTF  
1/4 PTF (gauge)

**Ambient/Media temperature:**  
-20 ... +80°C (-4 ... +176 °F)  
Air supply must be dry enough to avoid ice formation at temperatures below +2°C (+35 °F).

**Materials:**  
Body, bonnet & adjusting screw: stainless steel  
Elastomers: Synthetic rubber

### Technical data, standard model, relieving

Symbol	Port size	Pressure range (bar)	Flow * (dm <sup>3</sup> /s)	Weight (kg)	Model
	1/2 PTF	0,4 ... 10	50	1,52	R22-401-RNMA

\* Typical flow with 10 bar inlet pressure, 6,3 bar set pressure and a 1 bar drop from set.

### Option selector

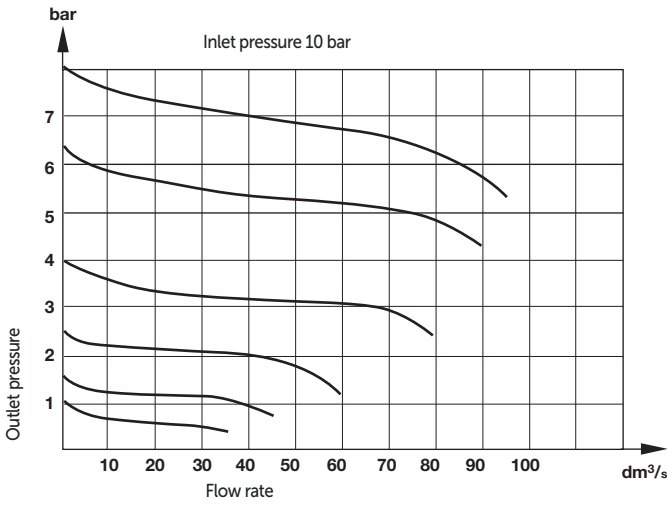
R22-401-★N★A

Diaphragm	Substitute
Relieving	R
Non-relieving	N




Pressure ranges (bar)*	Substitute
0,4 ... 10	M
0 ... 4	F
2 ... 16	S

\* Outlet pressure can be adjusted to pressures in excess of, and less than, those specified. Do not use these units to control pressures outside of the specified ranges.

### Flow characteristics



### Accessories

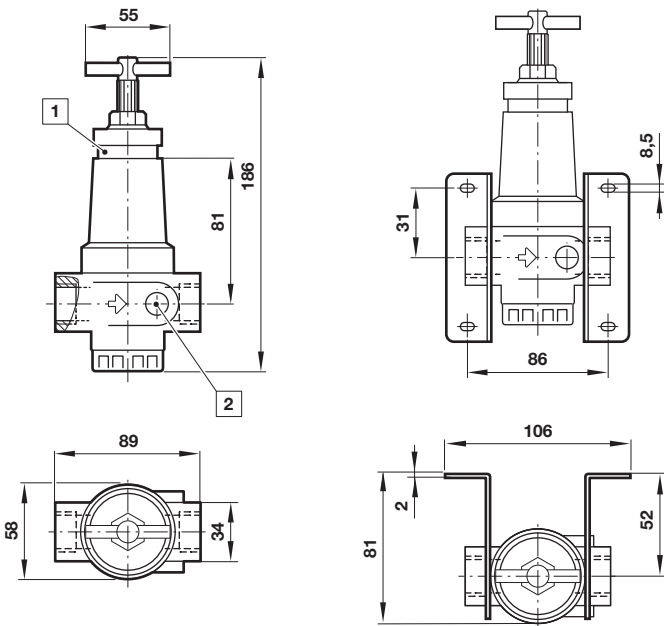
Wall mounting bracket	Gauge *	Valve assembly and diaphragm
		
18-001-962	18-015-913 (0 ... 6 bar) 18-015-909 (0 ... 10 bar)	Relieving R22-100R

\* Stainless steel items not strictly to NACE standard MR-01-75.

### Dimensions

#### Wall mounting bracket

Dimensions in mm  
Projection/First angle



- 1 Panel hole  $\varnothing$  40 mm, thickness 0 ... 10 mm
- 2 1/4 PTF gauge port

### Warning

These products are intended for use in industrial compressed air systems only. Do not use these products where pressures and temperatures can exceed those listed under »Technical features/data«.

Before using these products with fluids other than those specified, for non-industrial applications, life-support systems or other applications not within published specifications, consult Norgren.

Through misuse, age, or malfunction, components used in fluid power systems can fail in various modes.

The system designer is warned to consider the failure modes of all component parts used in fluid power systems and to provide adequate safeguards to prevent personal injury or damage to equipment in the event of such failure.

System designers must provide a warning to end users in the system instructional manual if protection against a failure mode cannot be adequately provided.

System designers and end users are cautioned to review specific warnings found in instruction sheets packed and shipped with these products.